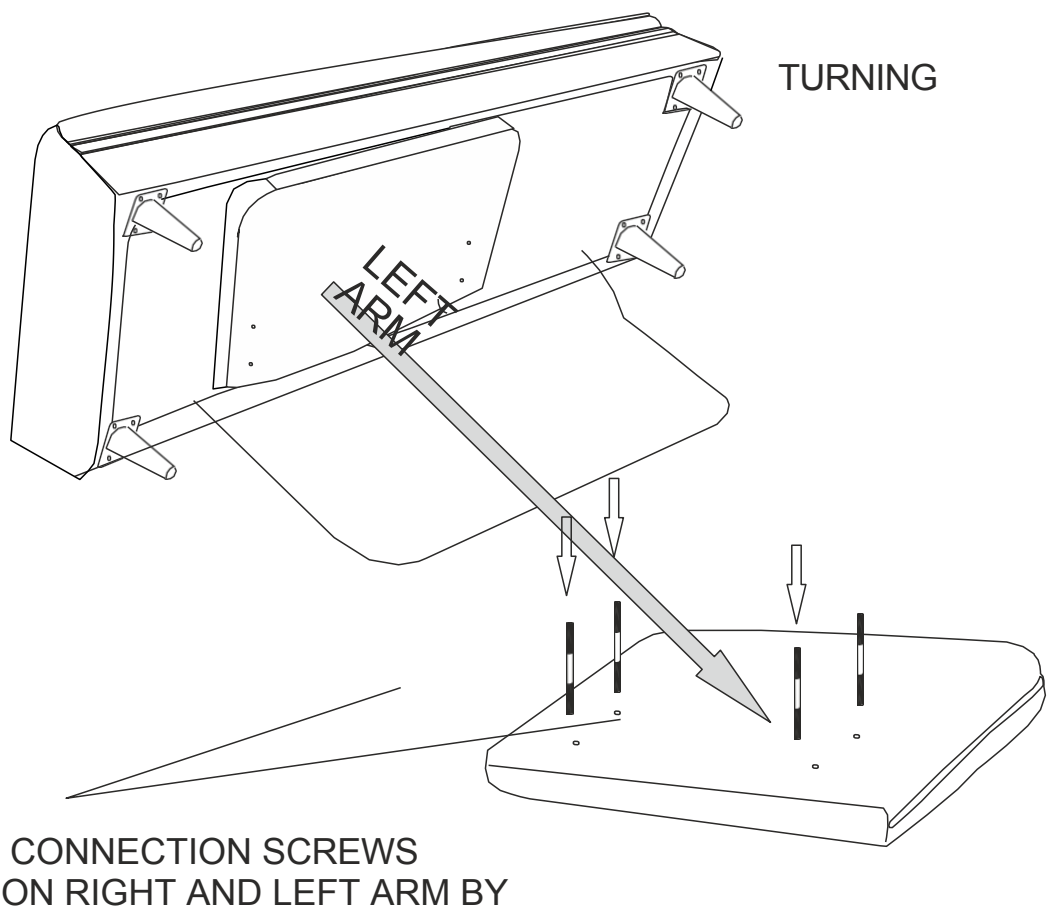
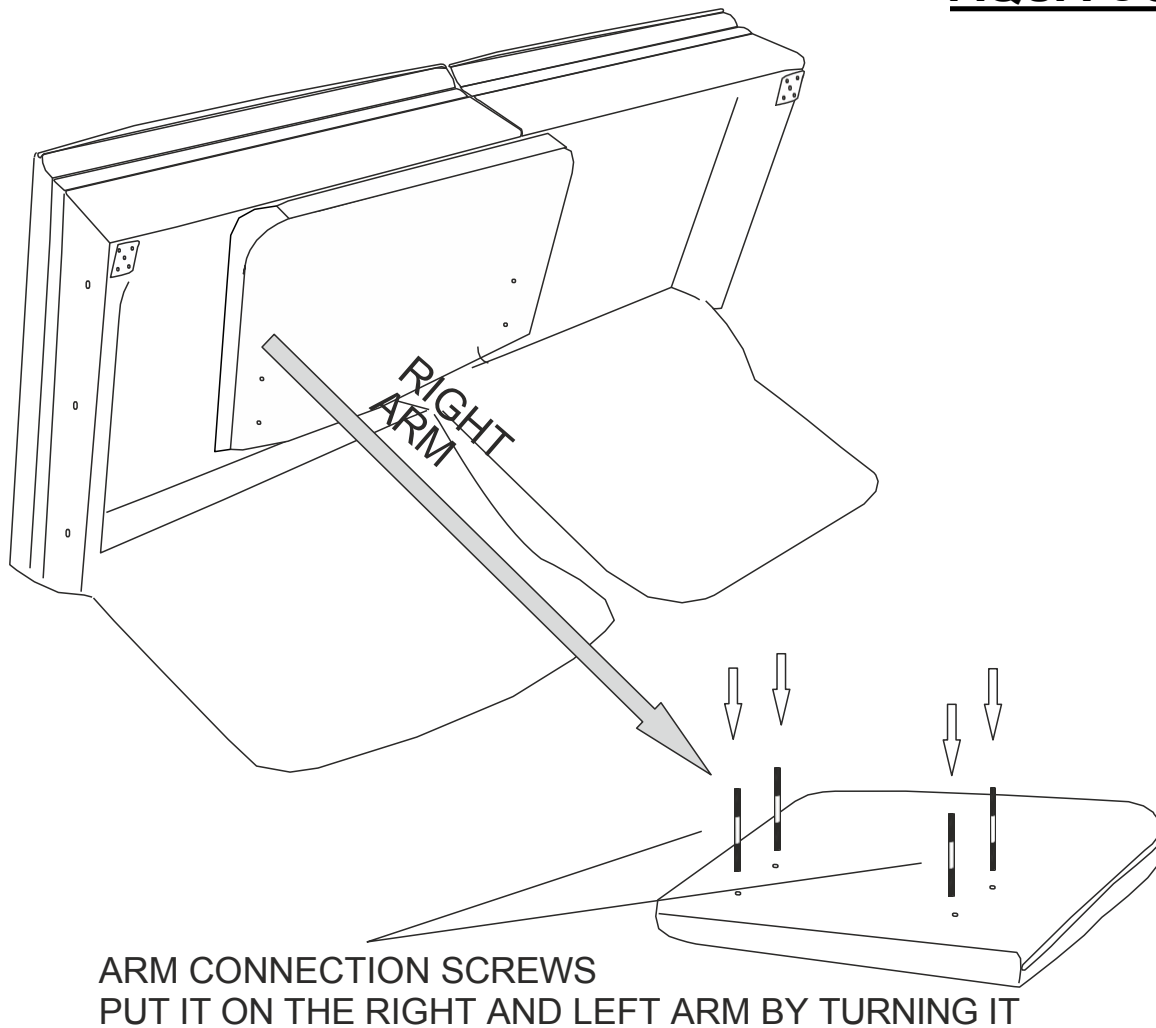
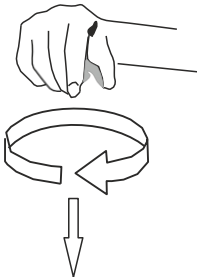
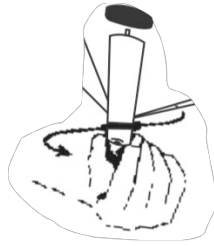
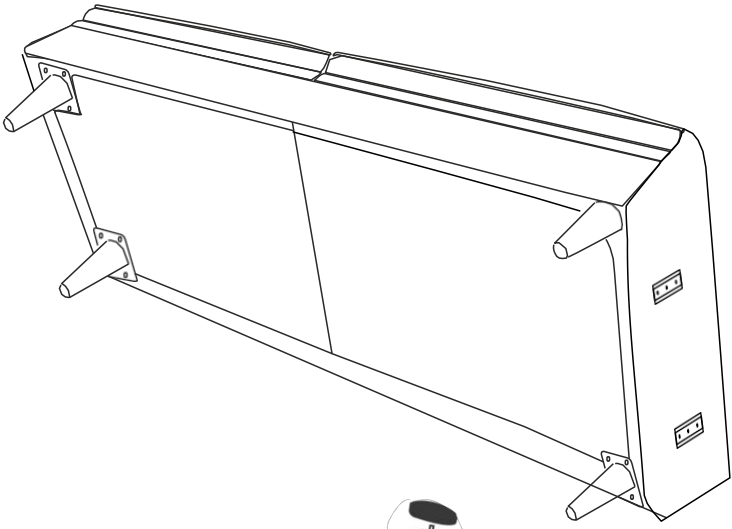


AQUA CORNER SOFA

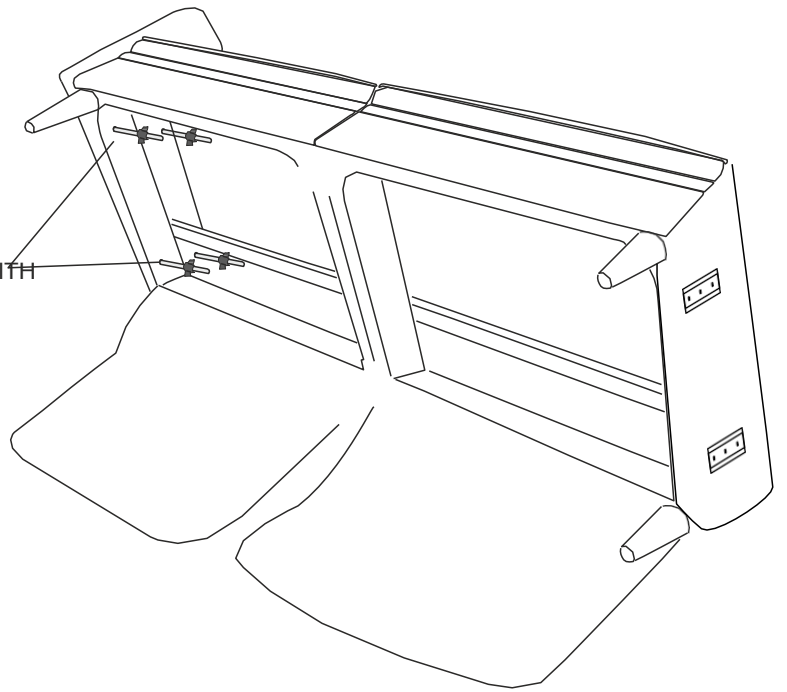


WE ATTACH THE WOODEN LEGS
BY TURNING THEM.

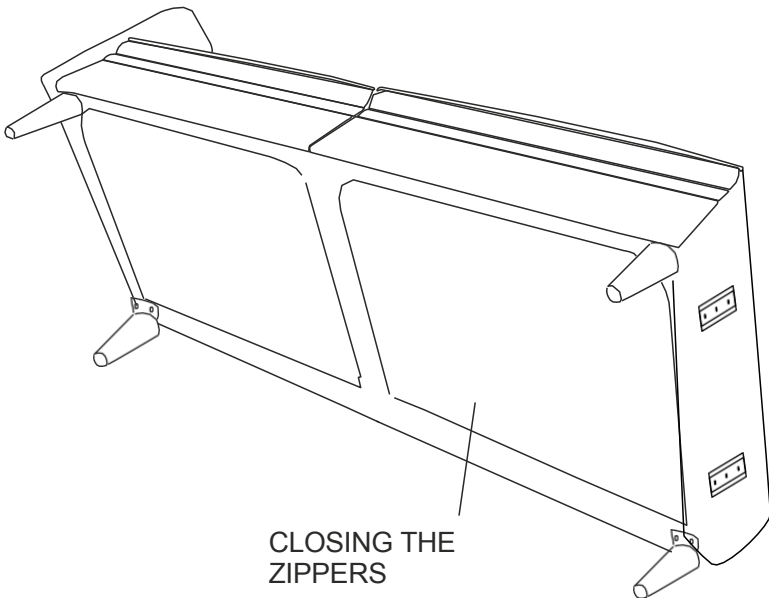




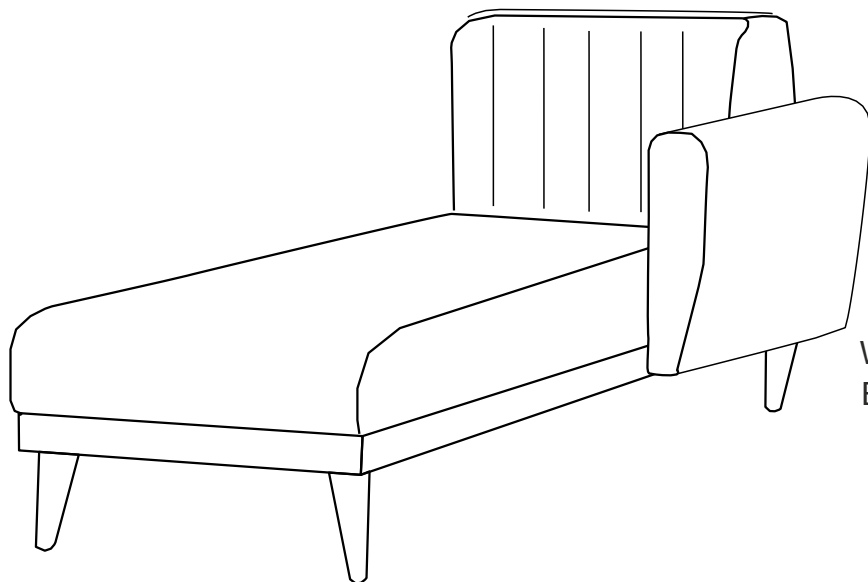
WE ATTACH THE WOODEN LEGS BY TURNING THEM.



WE FIX THE ARMS WITH BUTTERFLY BOLTS.



CLOSING THE ZIPPERS



WE FIX THE ARMS WITH BUTTERFLY BOLTS.



WE ASSEMBLE THE CORNER SEAT FROM TOP TO BOTTOM BY INSERTING THE RIGHT AND LEFT PART INTO THE CONNECTING CRADLES.

