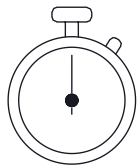
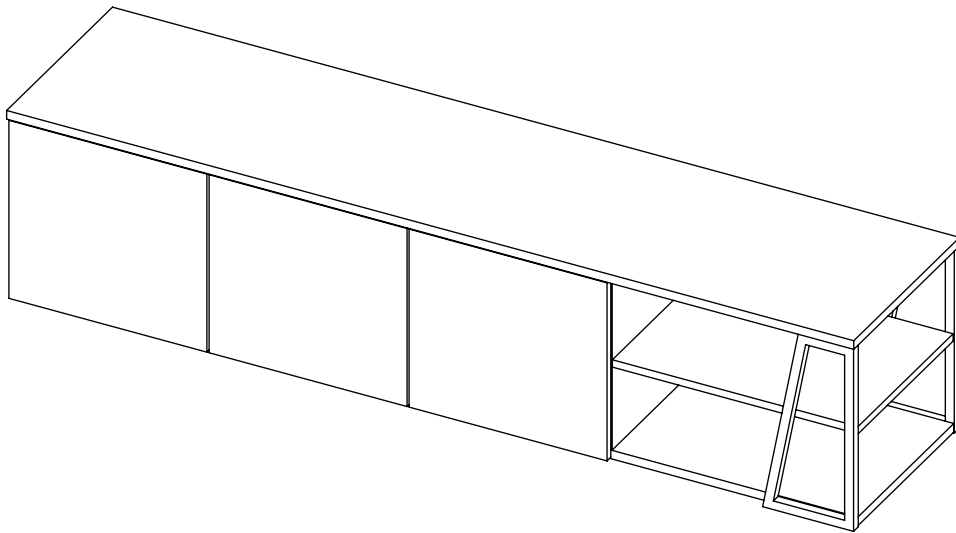
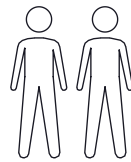


ALBI



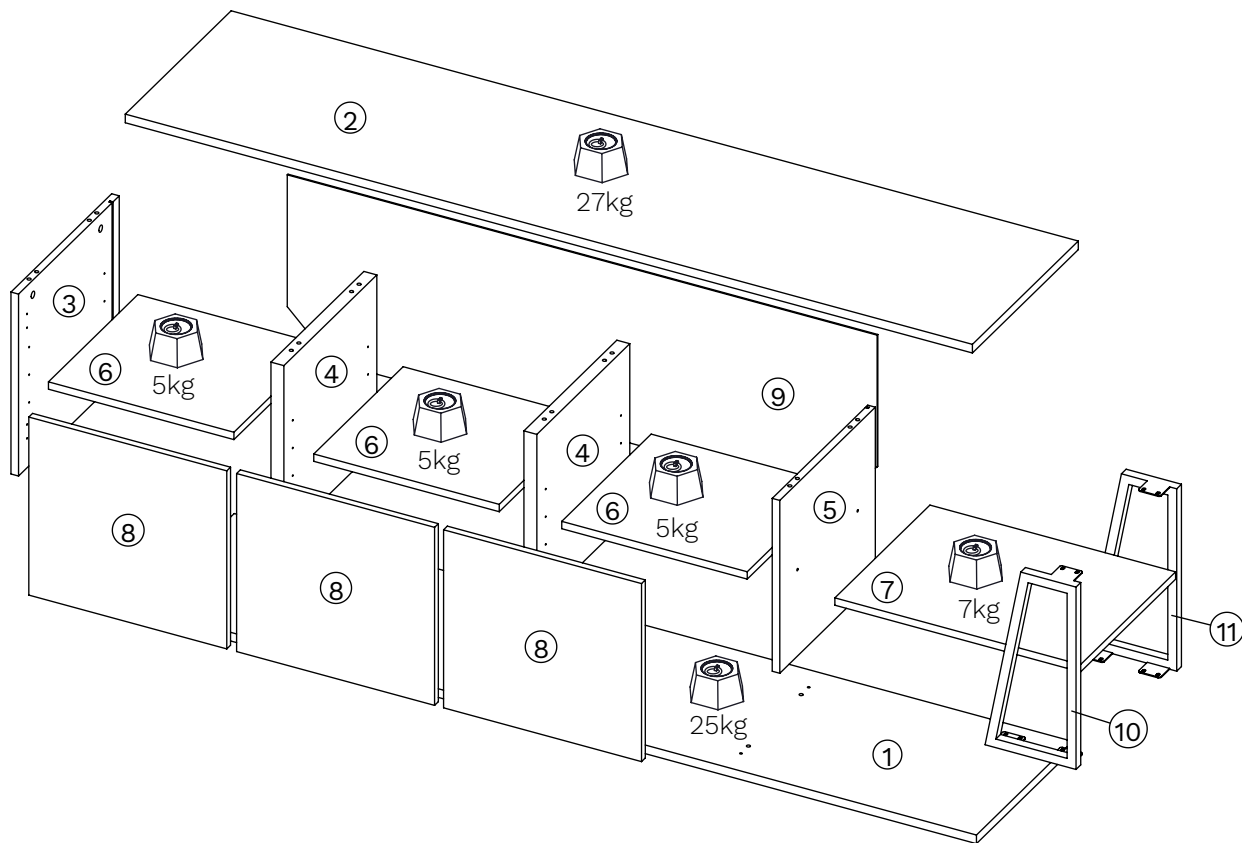
1 : 00




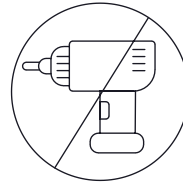
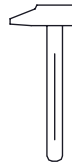
x 2



TEMAHOME
welcome vibrations



	x	mm	
1	1	1880 x 408 x 19	1
2	1	1900 x 450 x 19	1
3	1	428 x 421 x 16	2
4	2	400 x 395 x 28	2
5	1	400 x 406 x 16	2
6	3	416 x 380 x 16	2
7	1	551 x 404 x 16	1
8	3	444 x 412 x 16	1
9	1	1323 x 405 x 3	1
10	1	422 x 204 x 60	2
11	1	422 x 204 x 60	2



Ø7 x 41mm
BAA x 18



AAA x 20



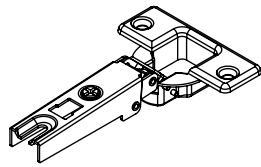
Ø8 x 40mm
DAC x 16



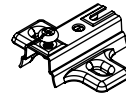
Ø4 x 16mm
GGK x 12



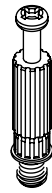
Ø4 x 16mm
GGS x 24



KDC x 6



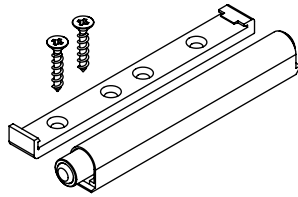
KAC x 6



Ø7 x 38mm
KDC x 2



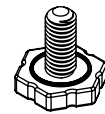
DMB x 12



OY x 3



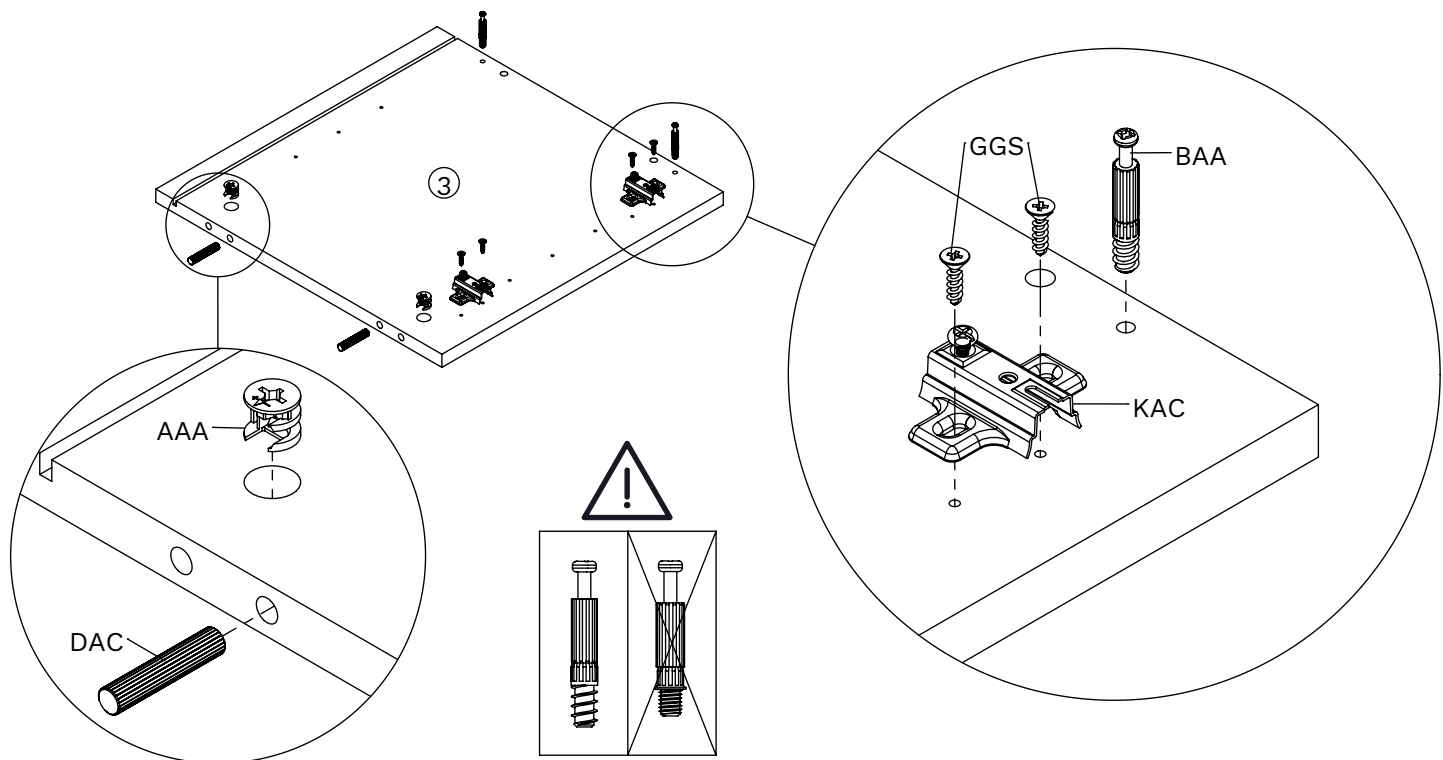
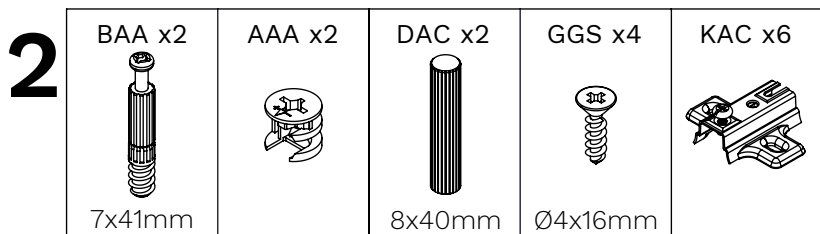
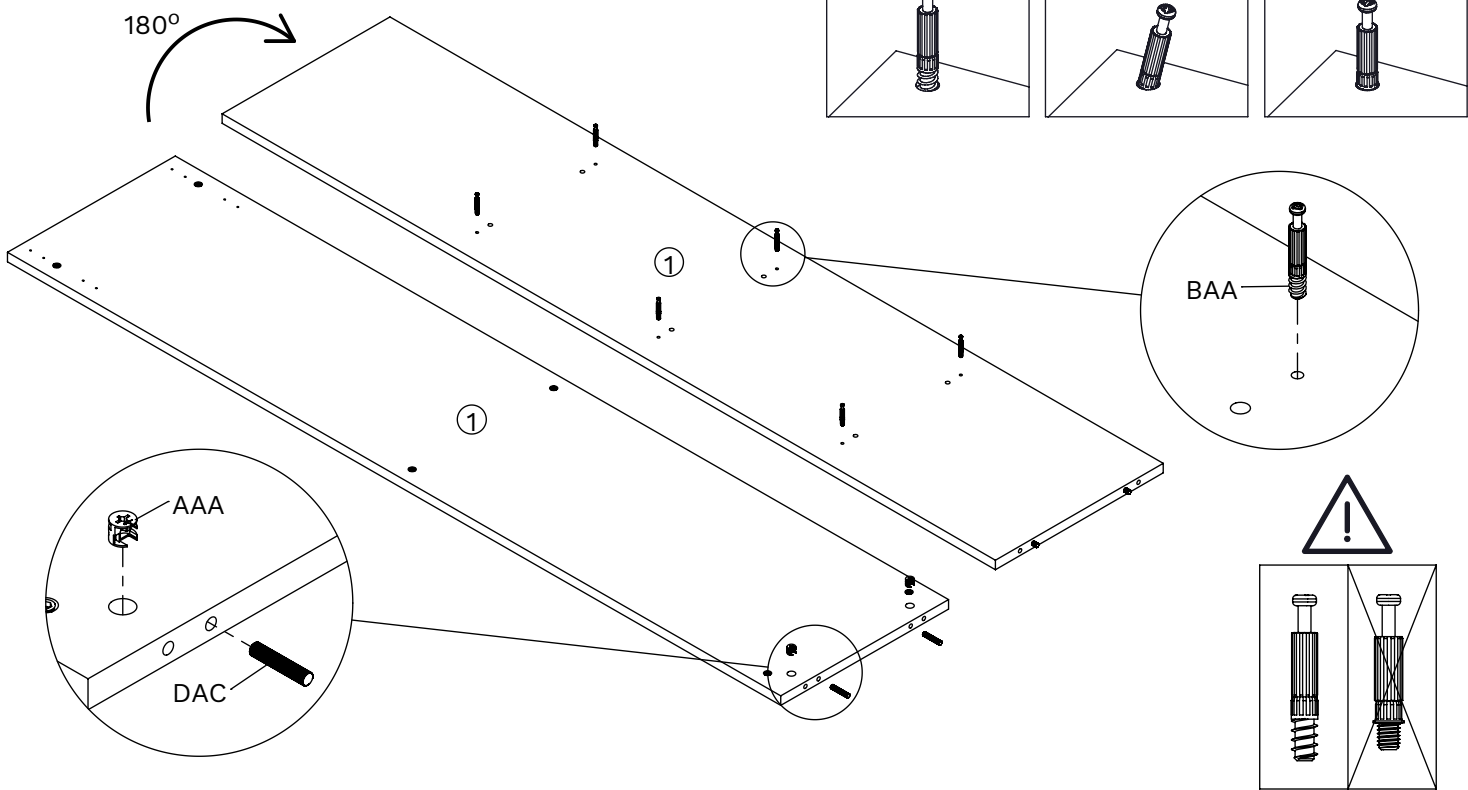
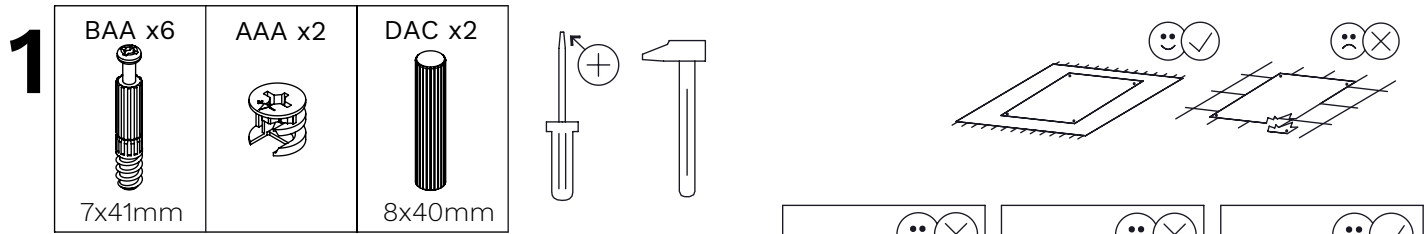
Ø3,5 x 16mm
GGC x 6



RCA x 6

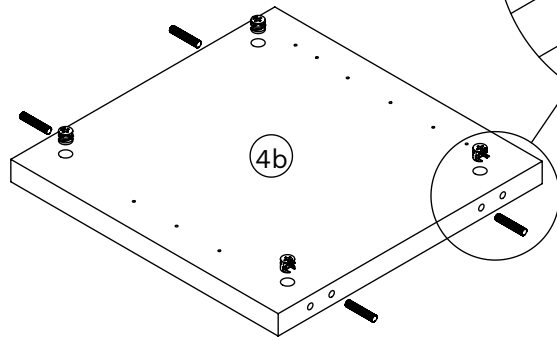
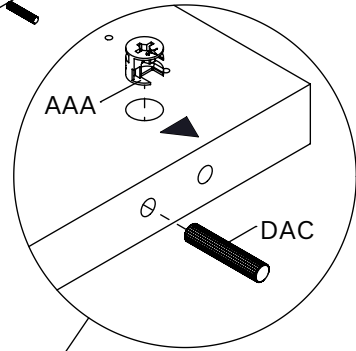
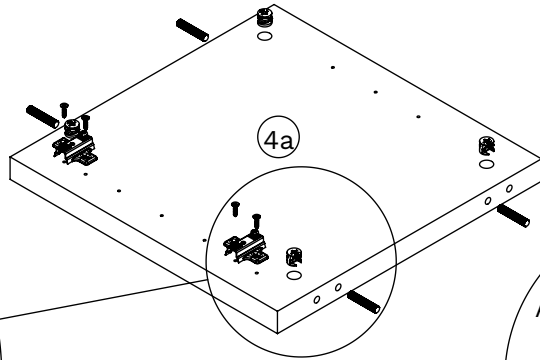
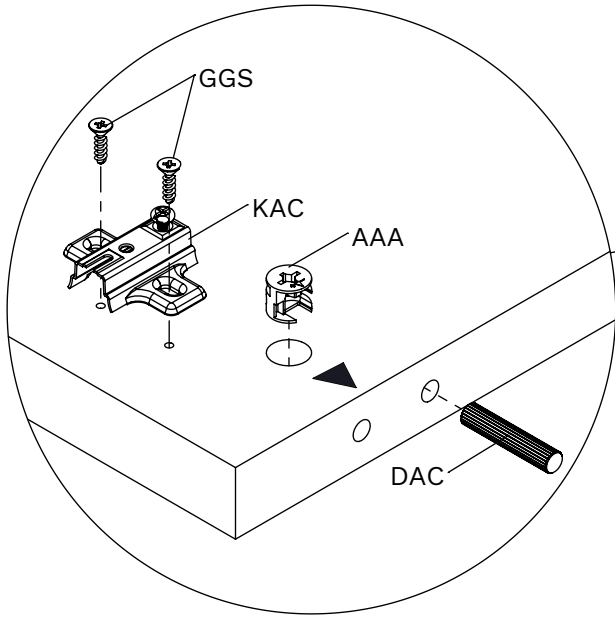
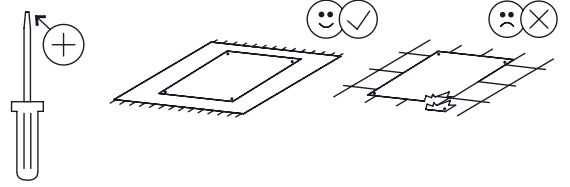


EDH/EDF x 18



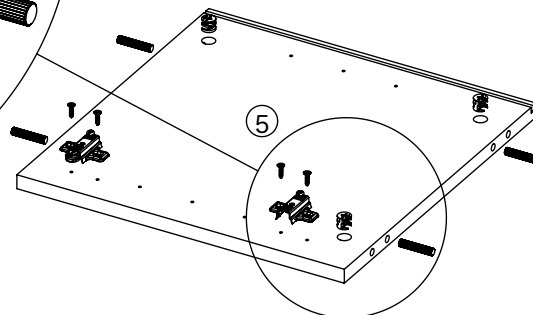
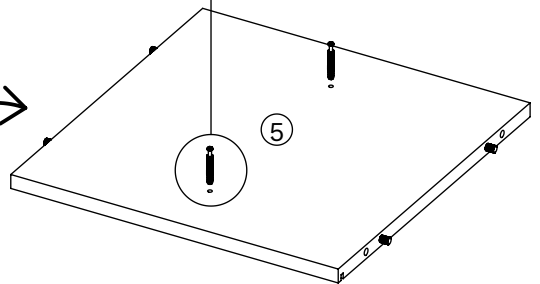
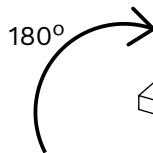
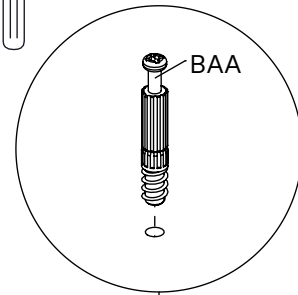
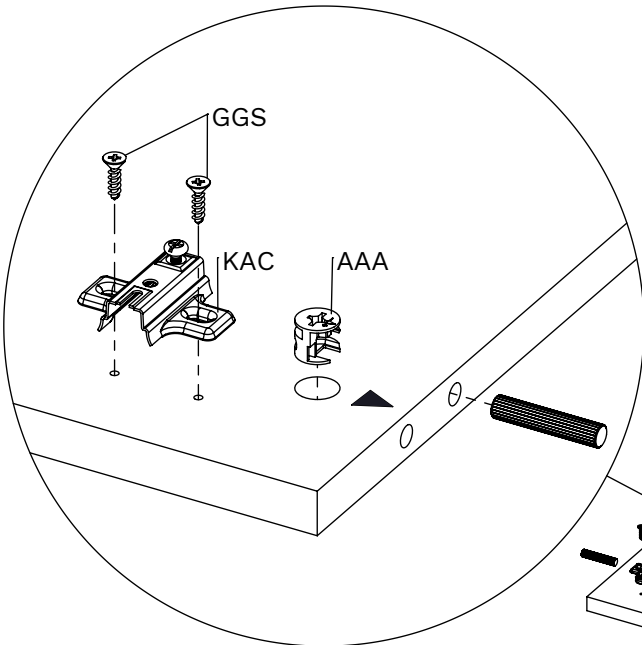
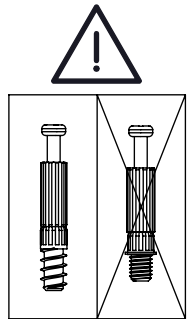
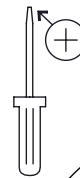
3

AAA x8	DAC x4 8x40mm	KAC x2	GGG x4 Ø4 x 16mm
--------	------------------	--------	---------------------

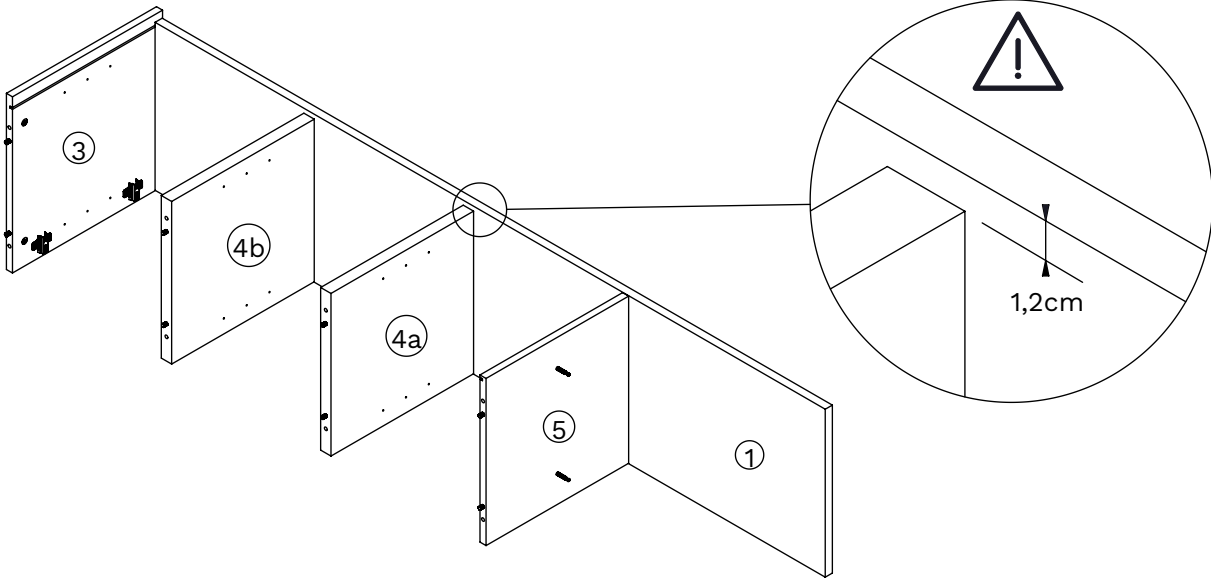
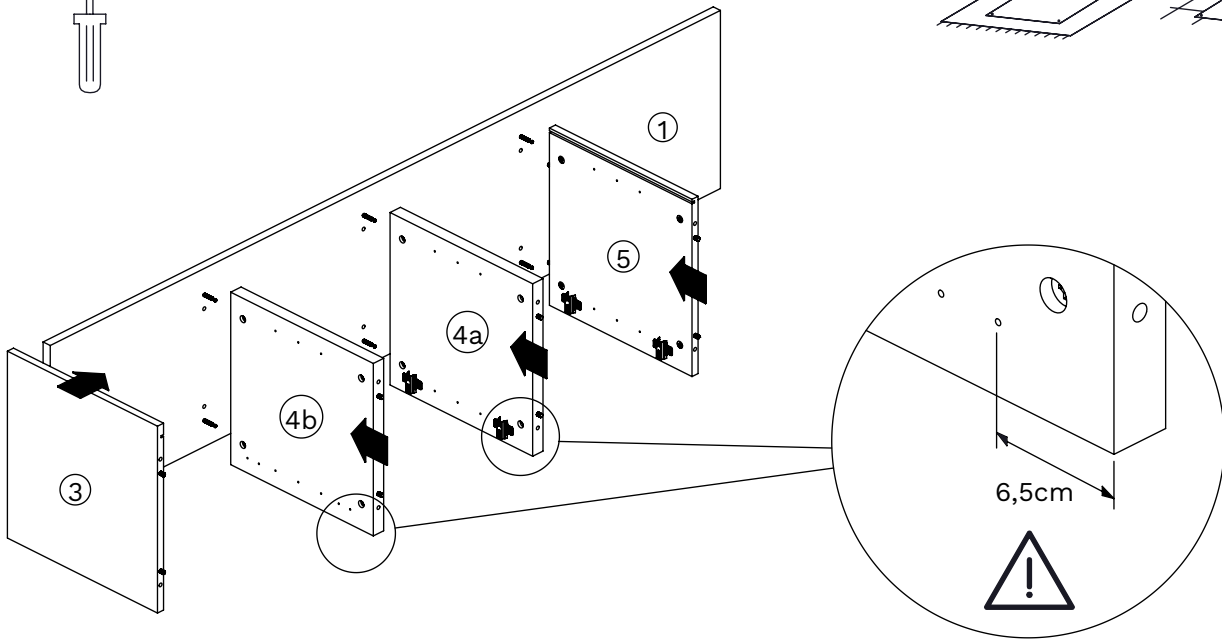
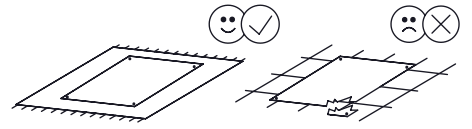


4

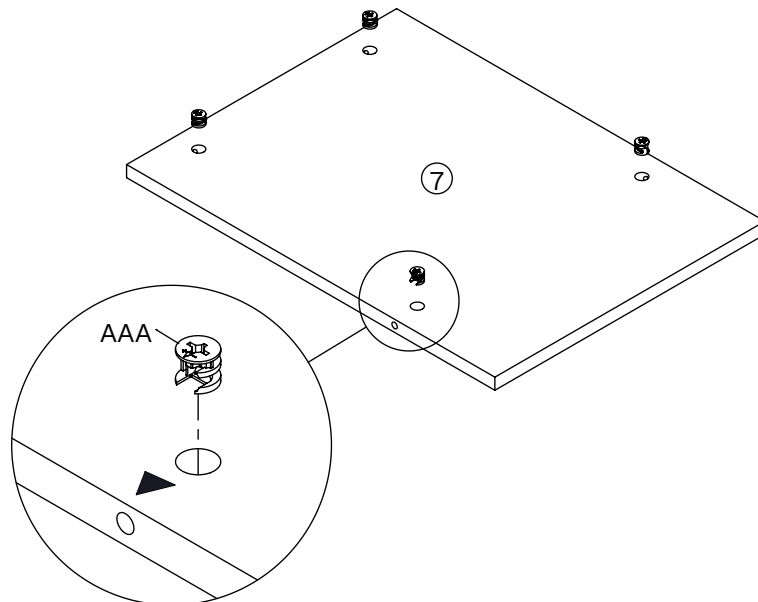
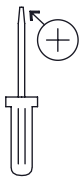
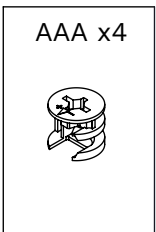
AAA x4	DAC x4 8x40mm	KAC x2	GGG x4 Ø4 x 16mm	BAA x2 Ø7 x 41mm
--------	------------------	--------	---------------------	---------------------



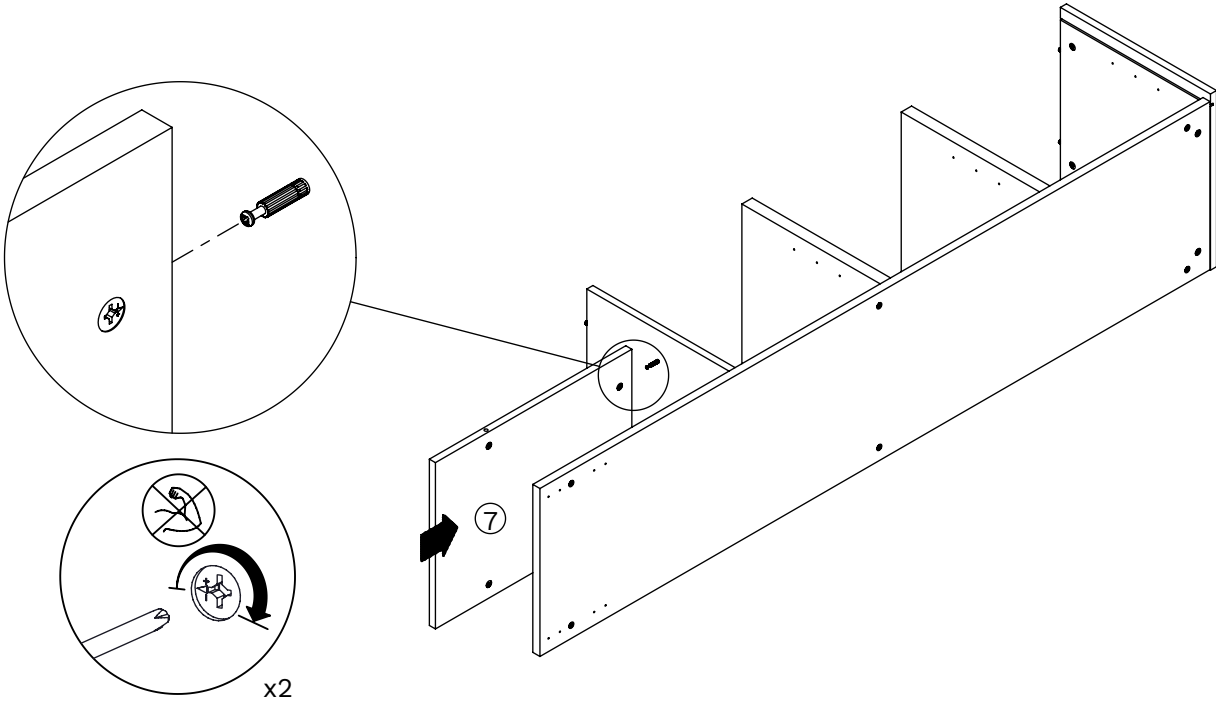
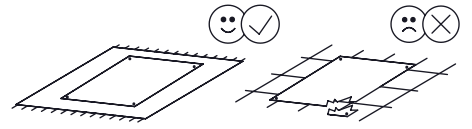
5



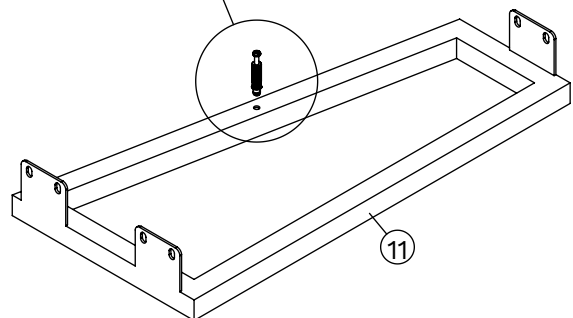
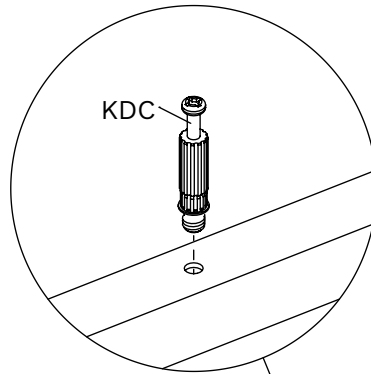
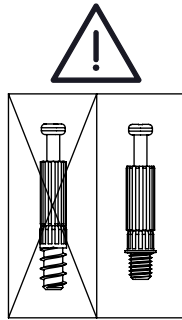
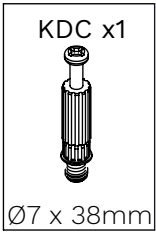
6



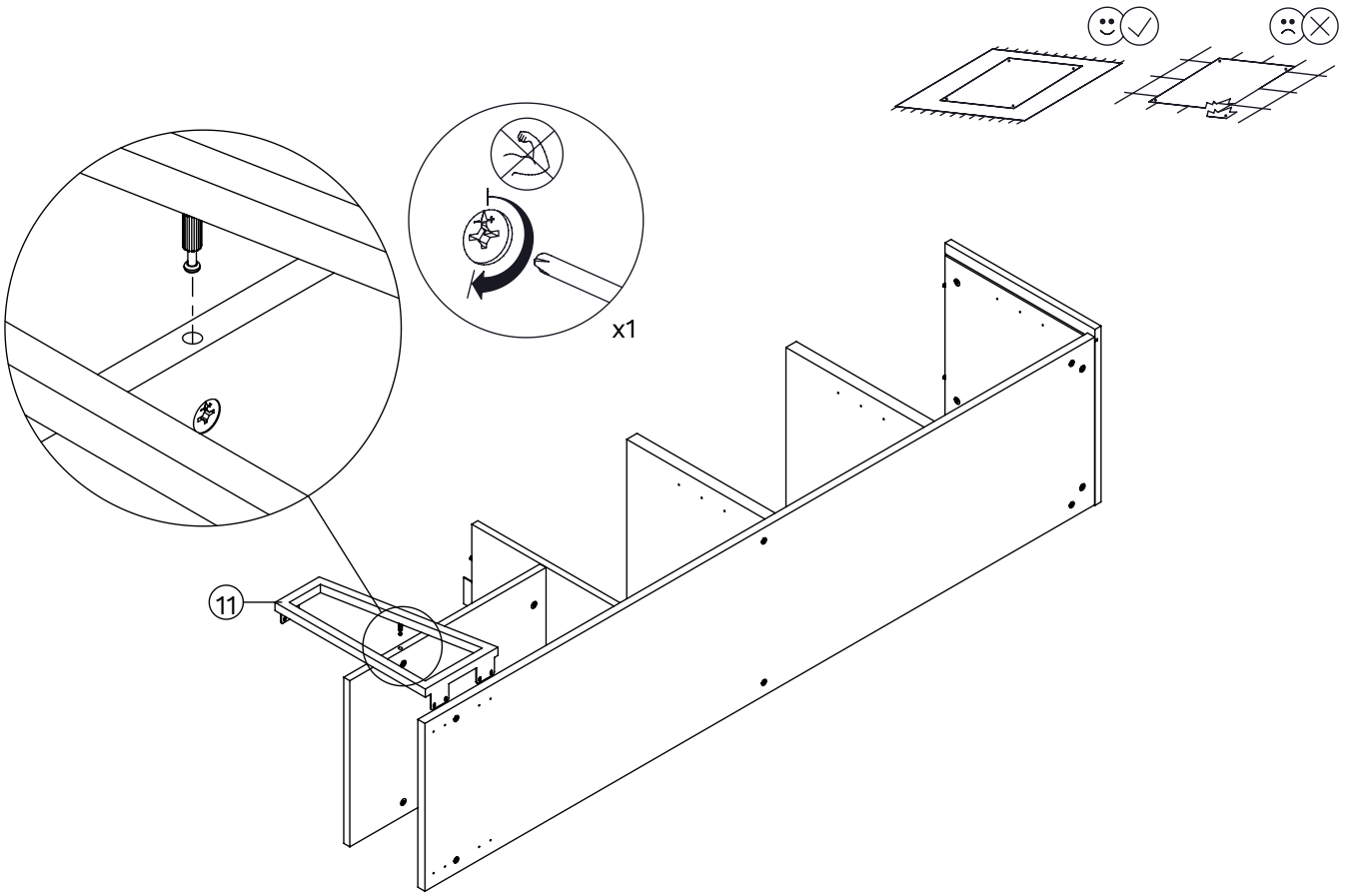
7



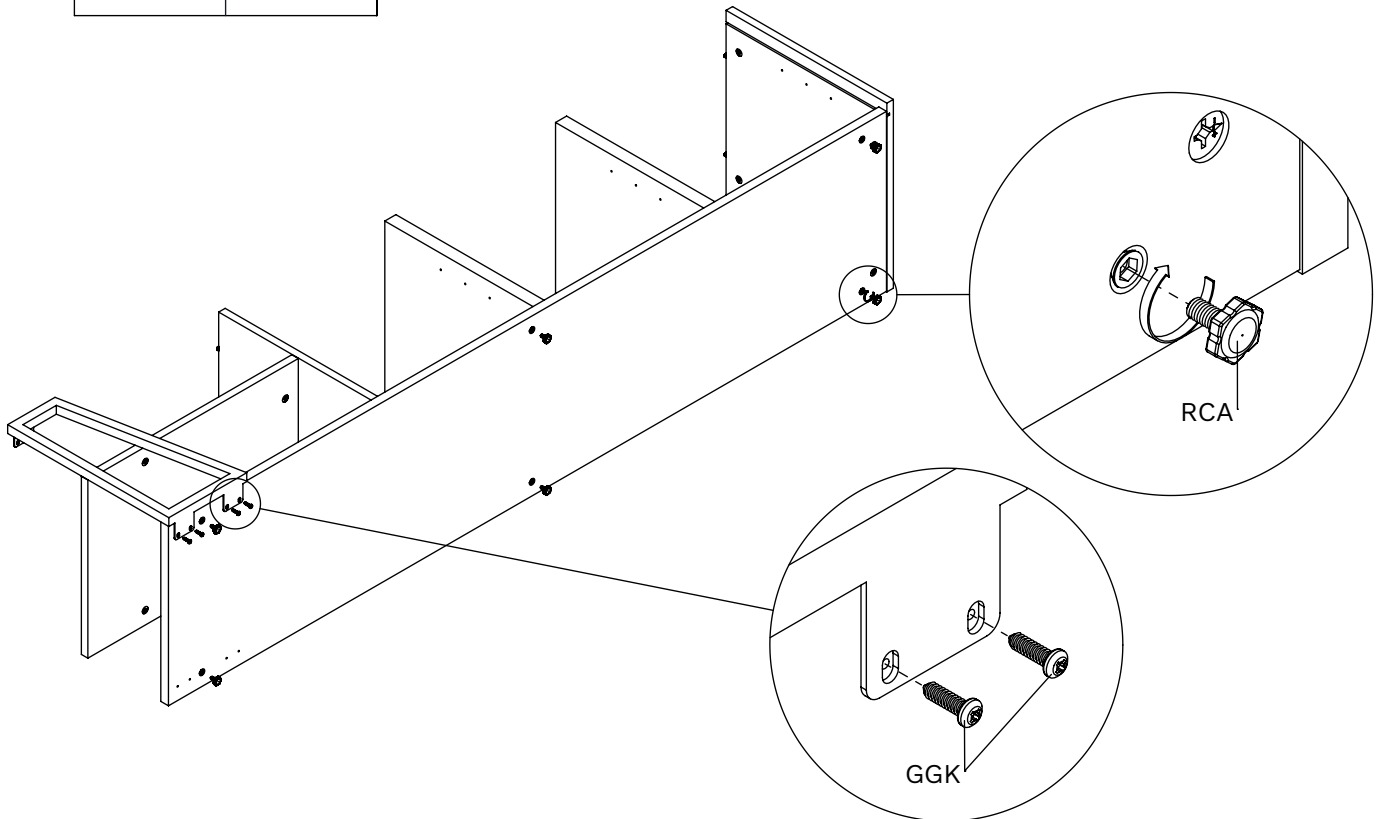
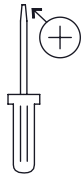
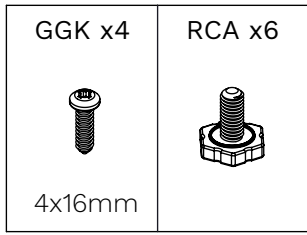
8



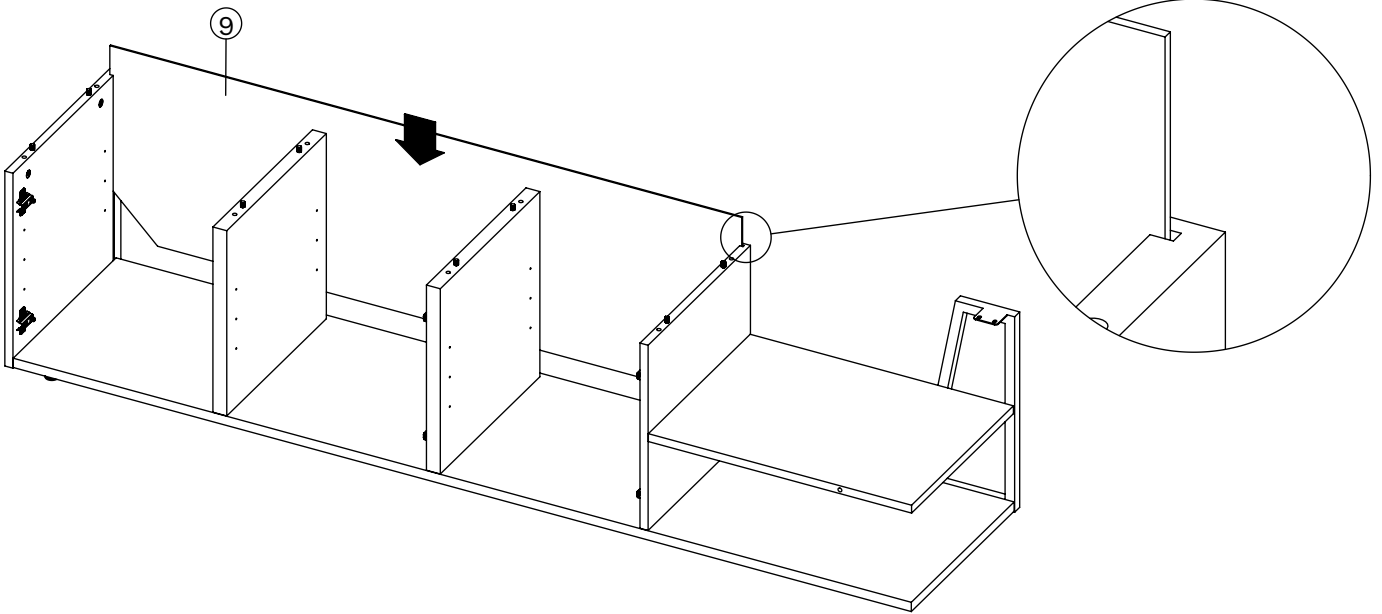
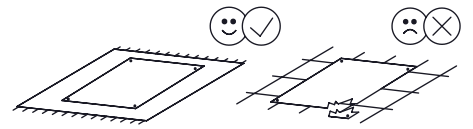
9



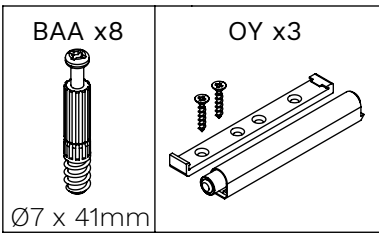
10



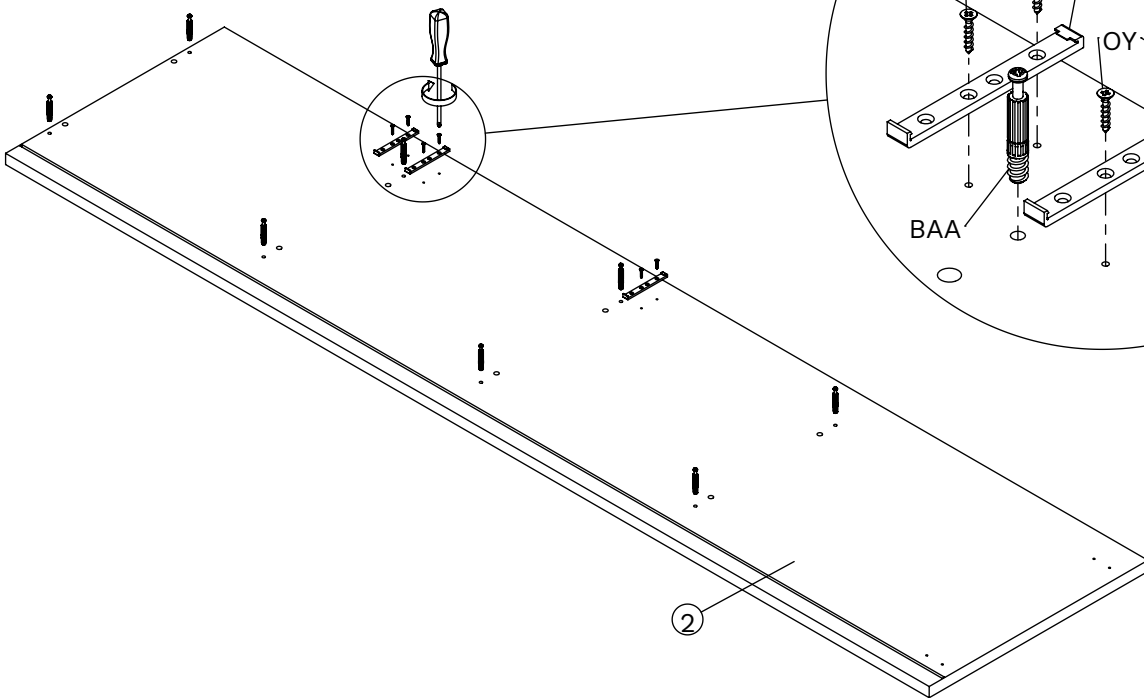
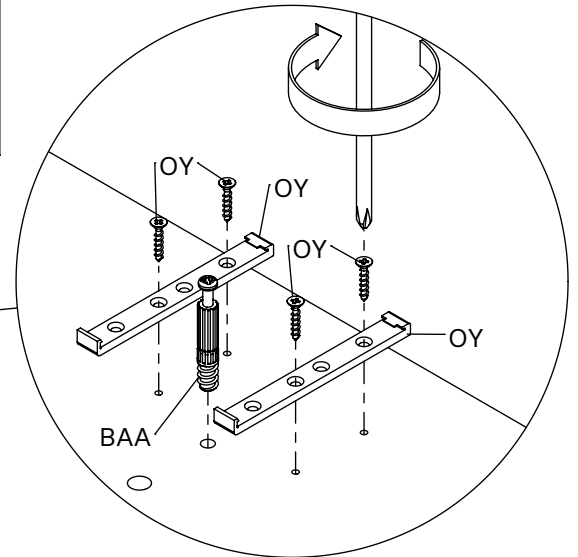
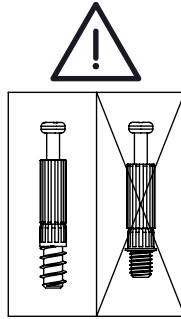
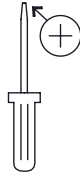
11

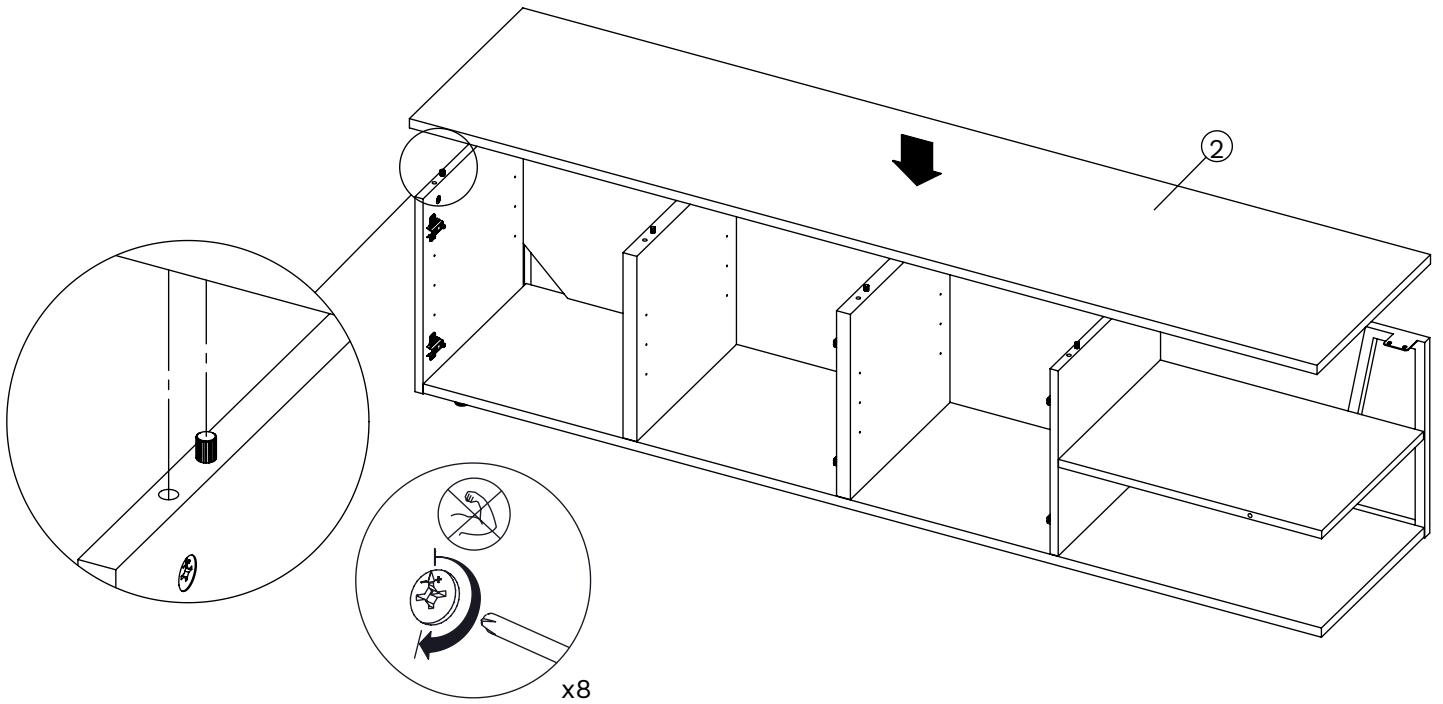
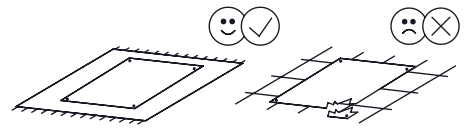
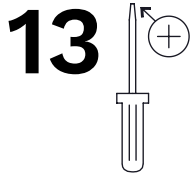


12

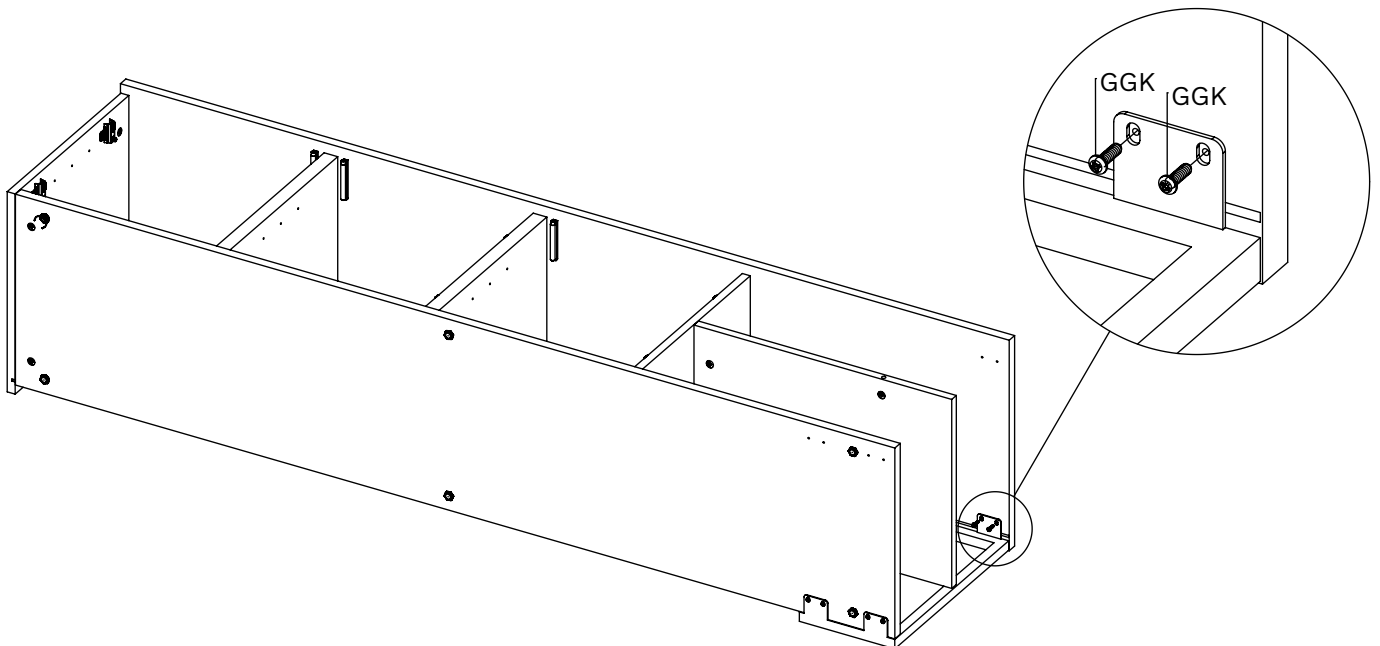
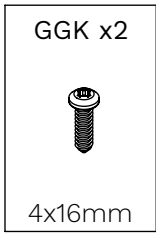


Ø7 x 41mm

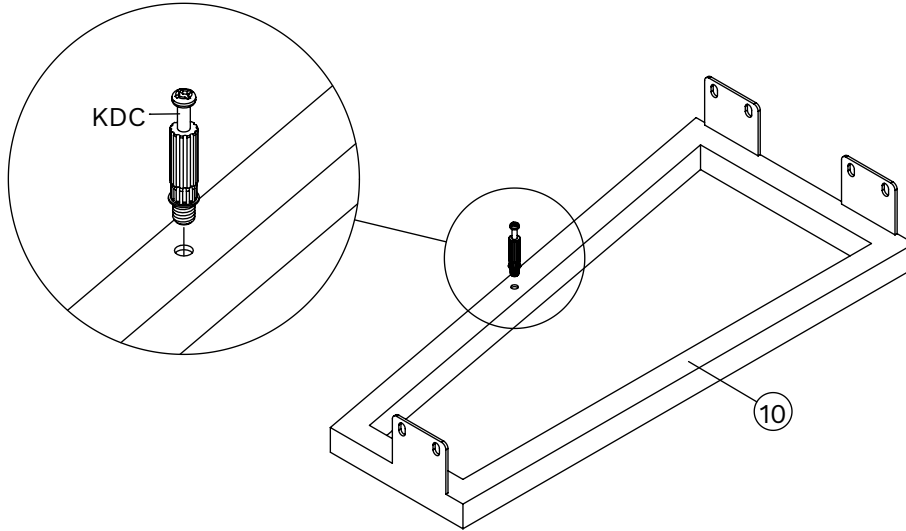
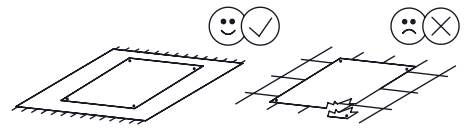
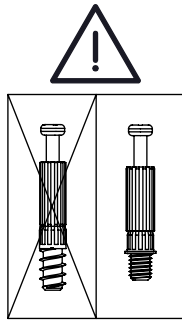
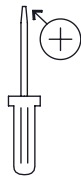
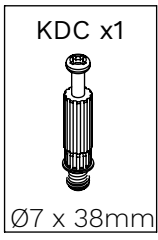




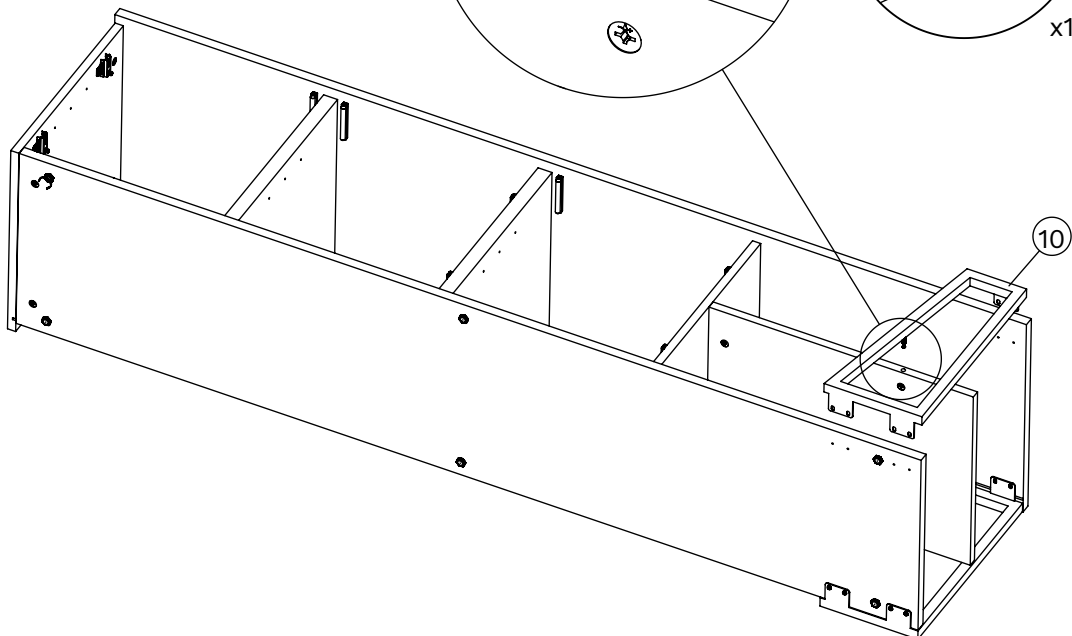
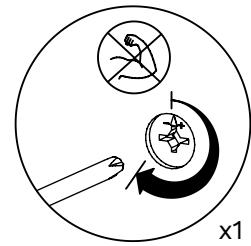
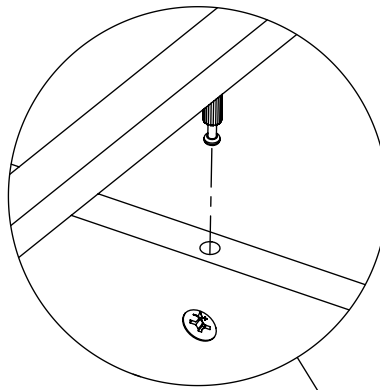
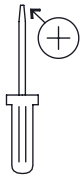
14



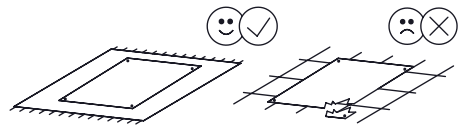
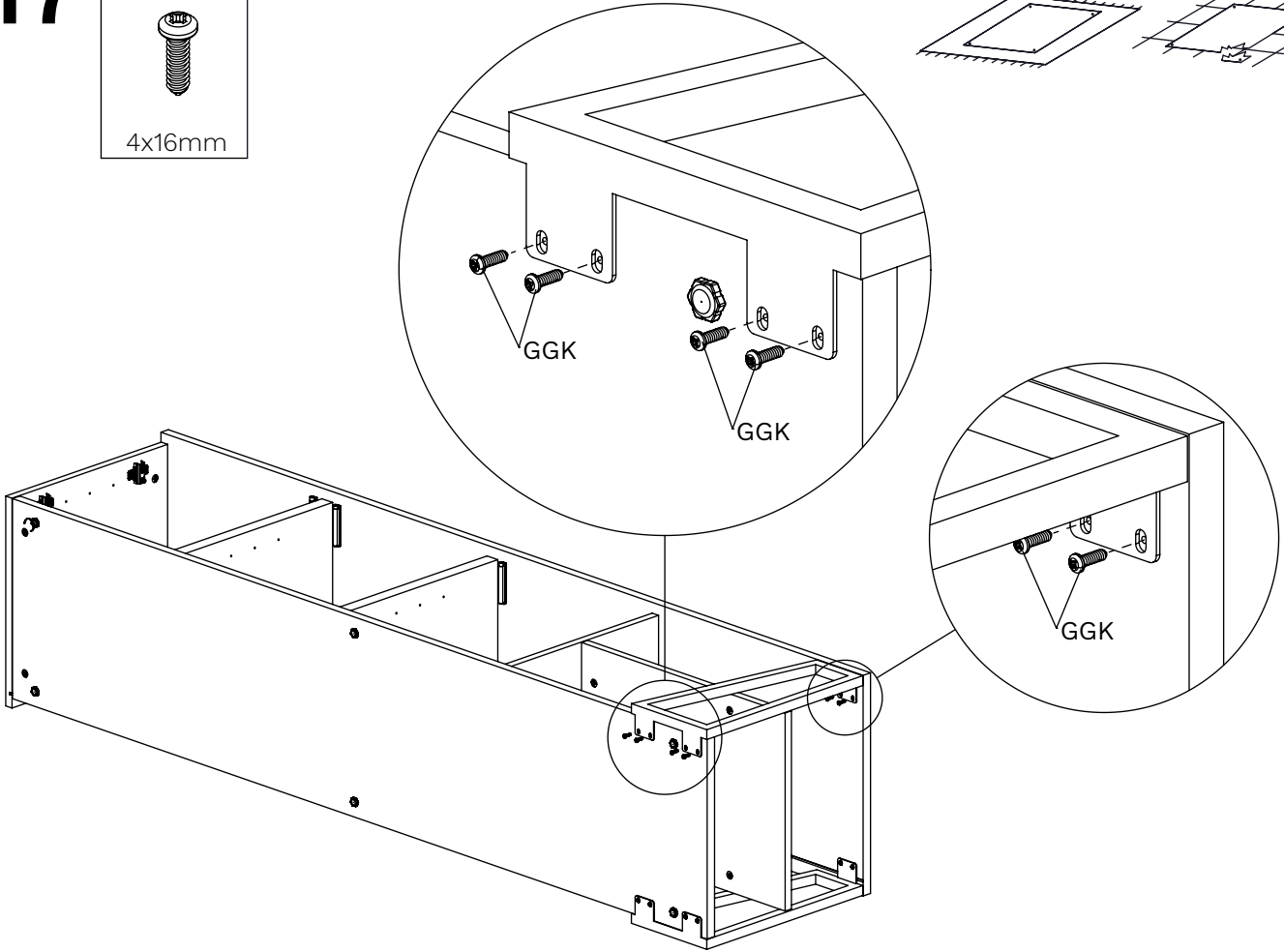
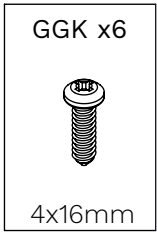
15



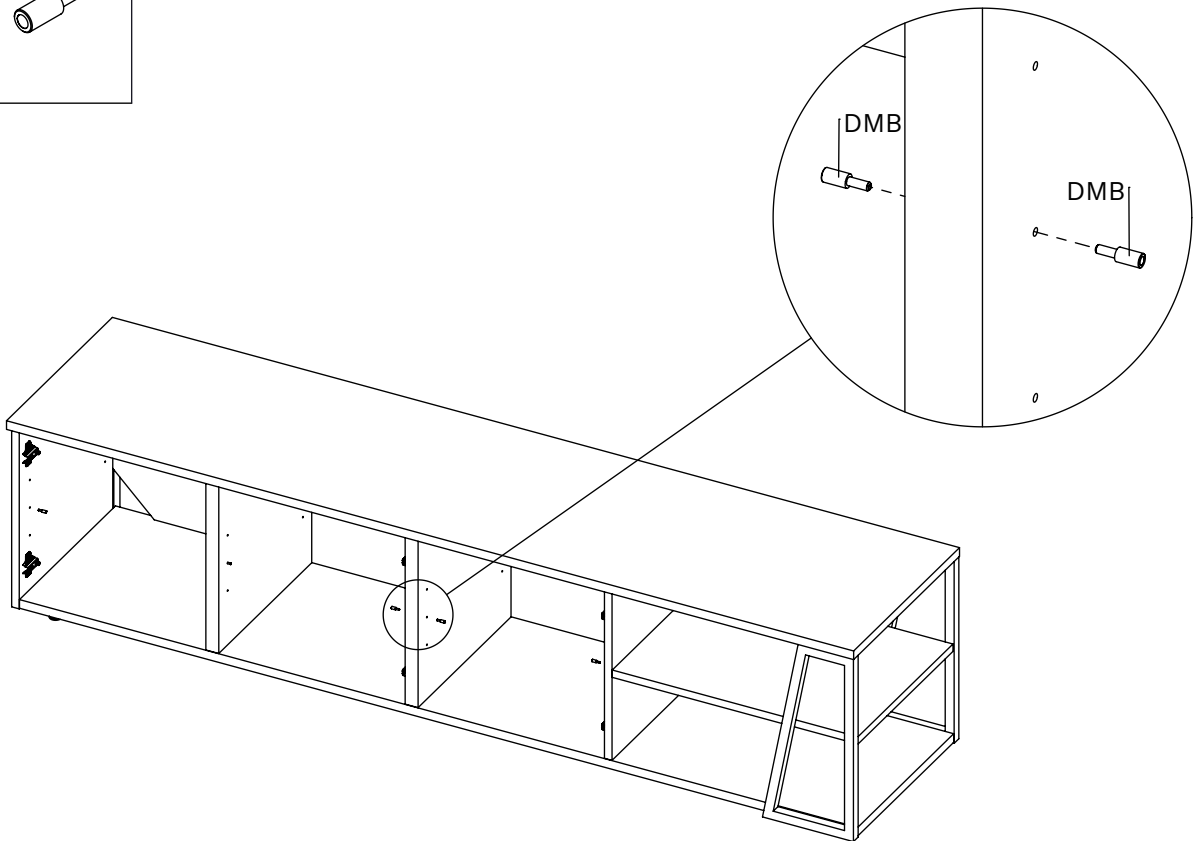
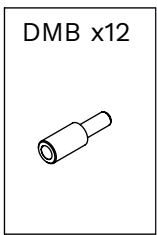
16



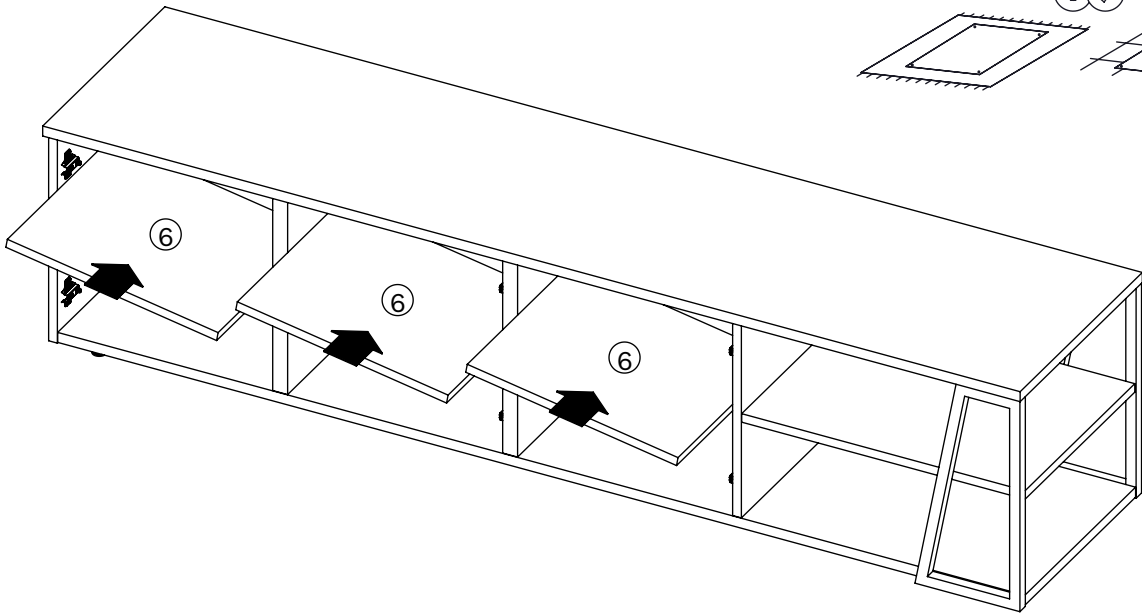
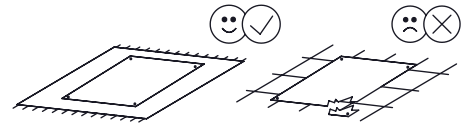
17



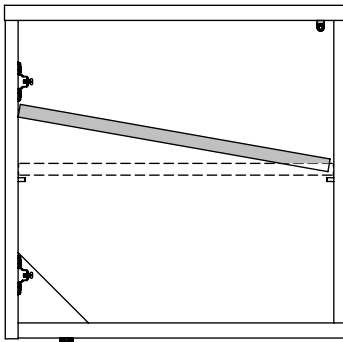
18



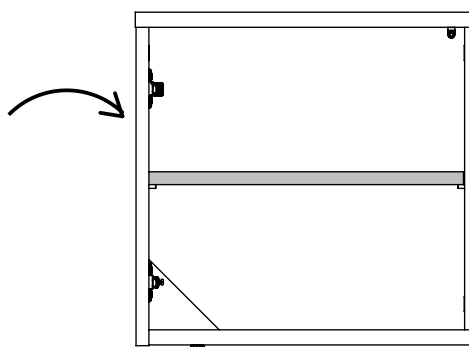
19



1º



2º



20

