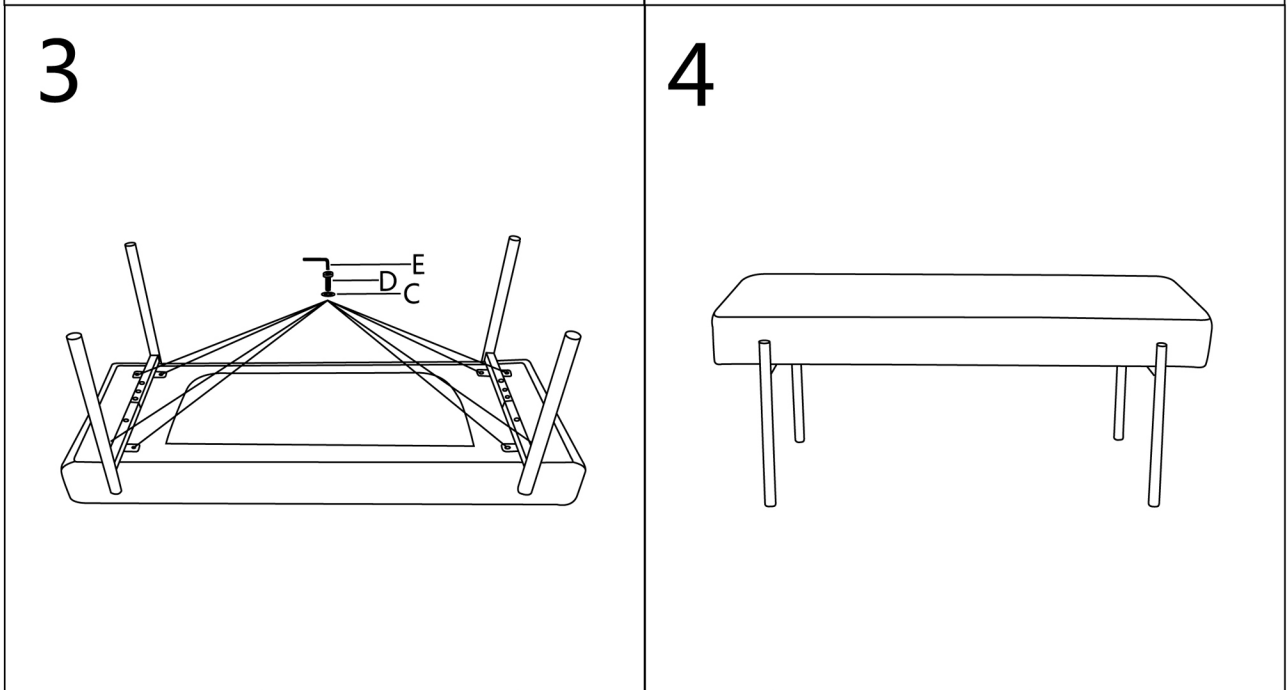
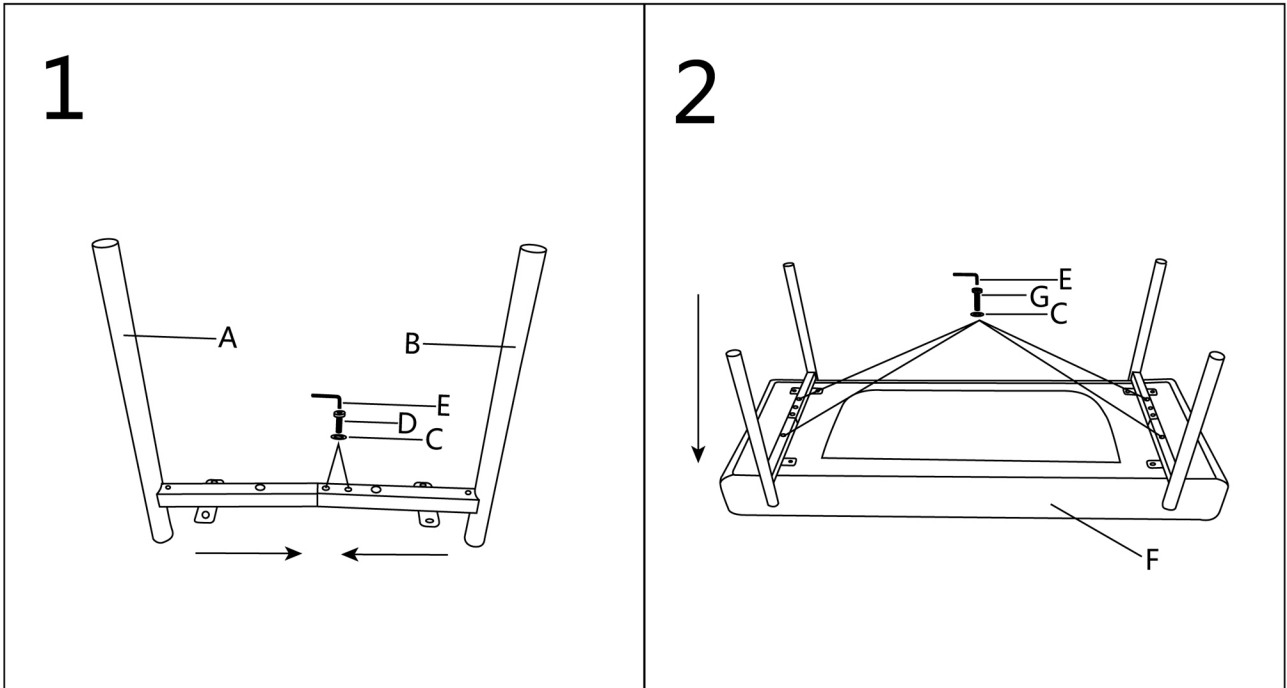


1401300/1401301/1401302  
Swindon Bench



|              |              |               |               |              |
|--------------|--------------|---------------|---------------|--------------|
| <p>A × 2</p> | <p>B × 2</p> | <p>C × 16</p> | <p>D × 12</p> | <p>E × 1</p> |
| <p>F × 1</p> | <p>G × 4</p> |               |               |              |