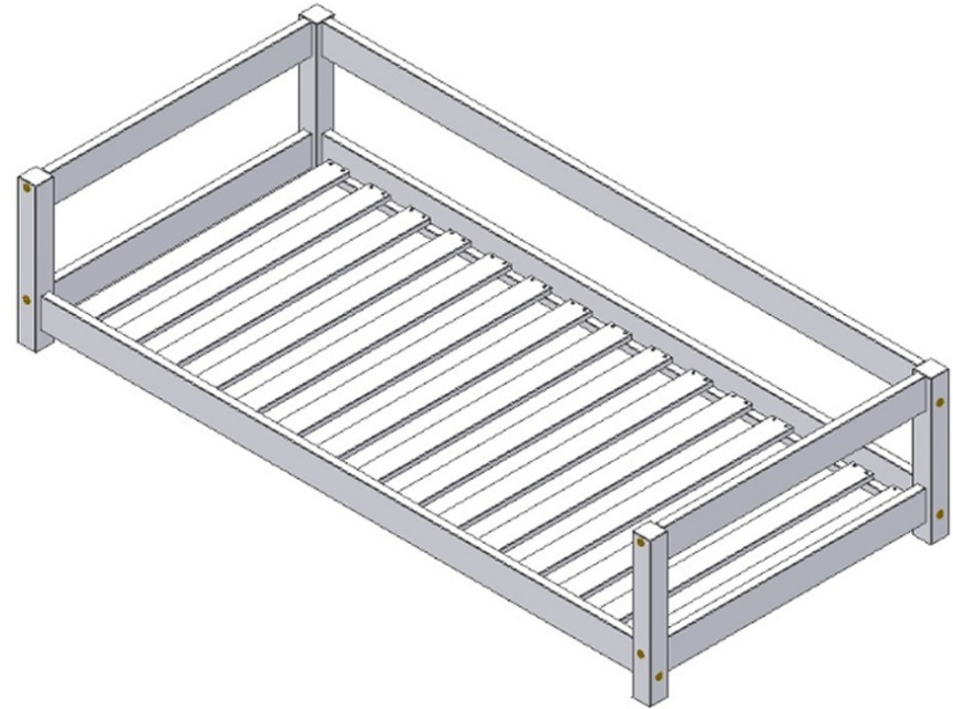




MANUAL STUDY





16x



44x

(160 cm)

52x

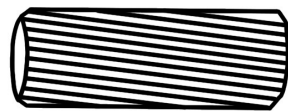
(180 cm)

56x

(190 cm)

60x

(200 cm)

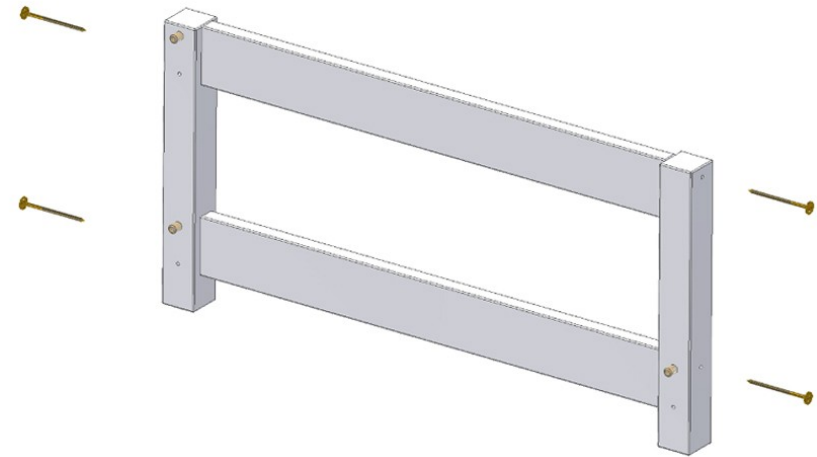


16x

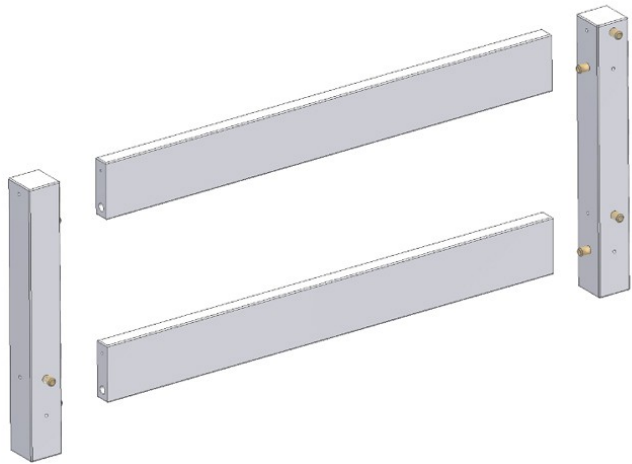
1a



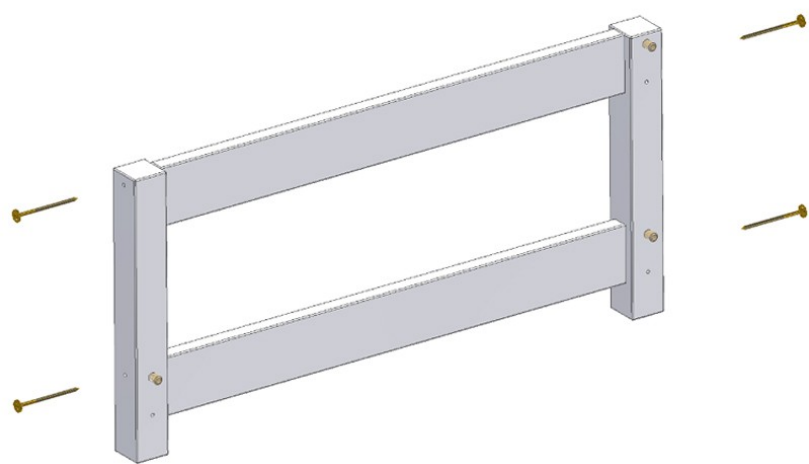
1b



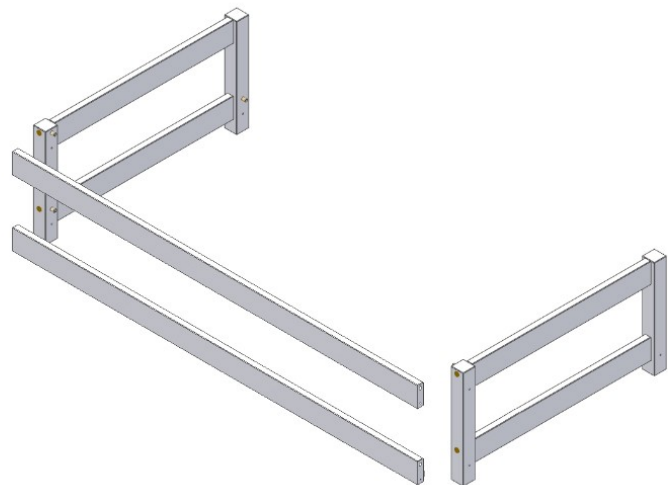
2a



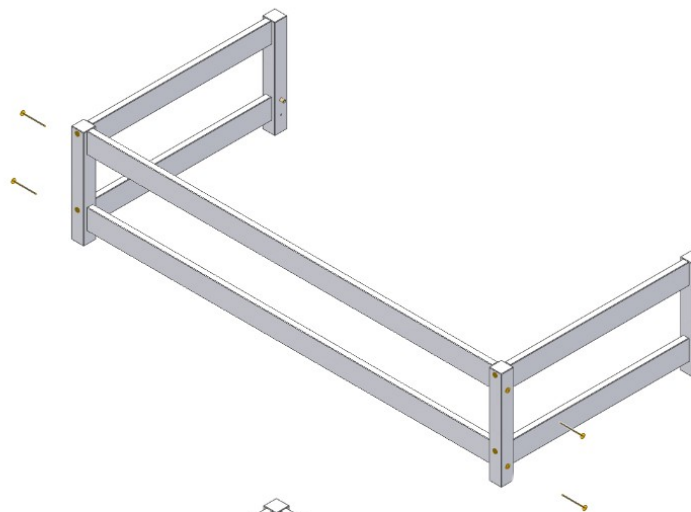
2b



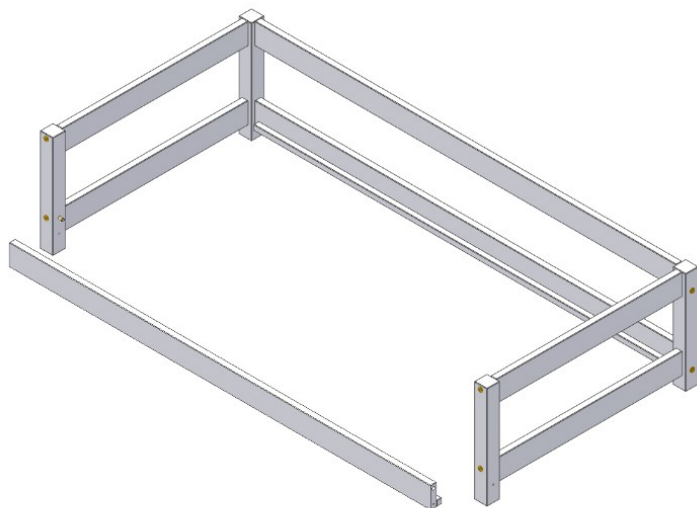
3a



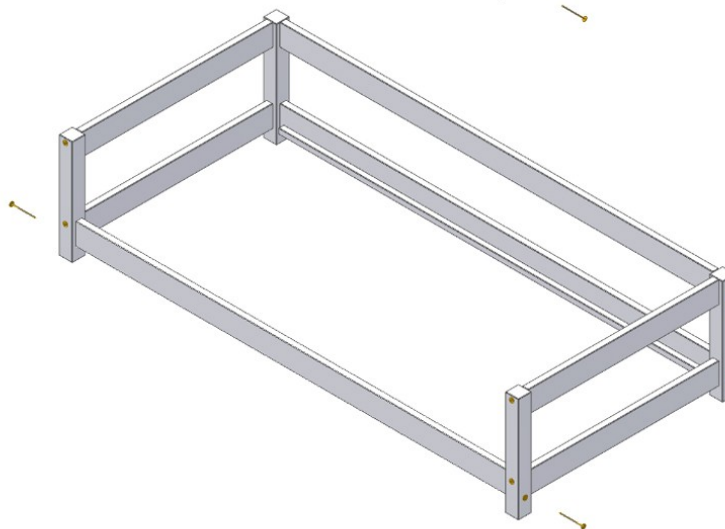
3b



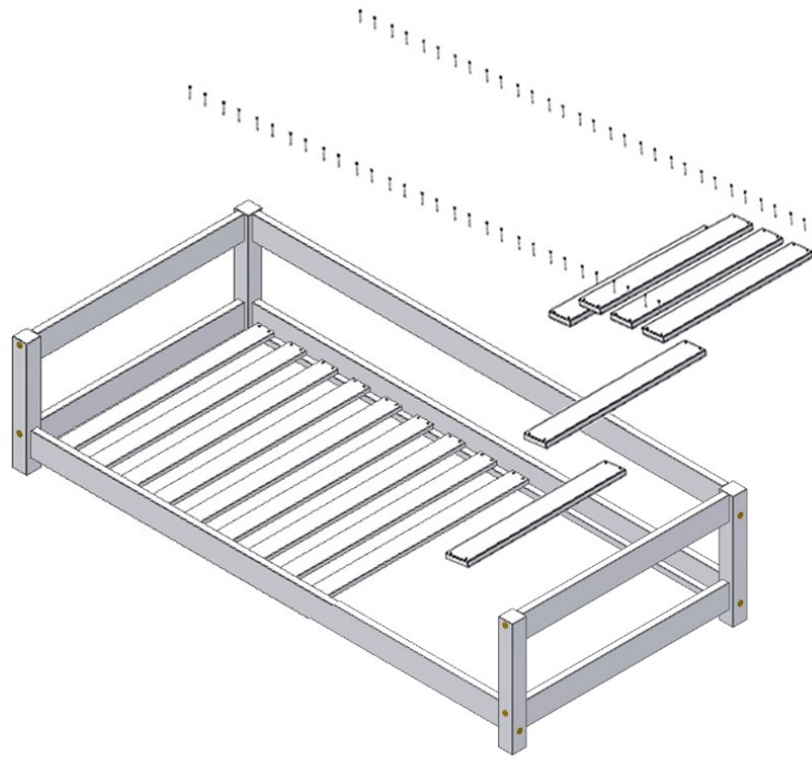
4a



4b



5a



5b

