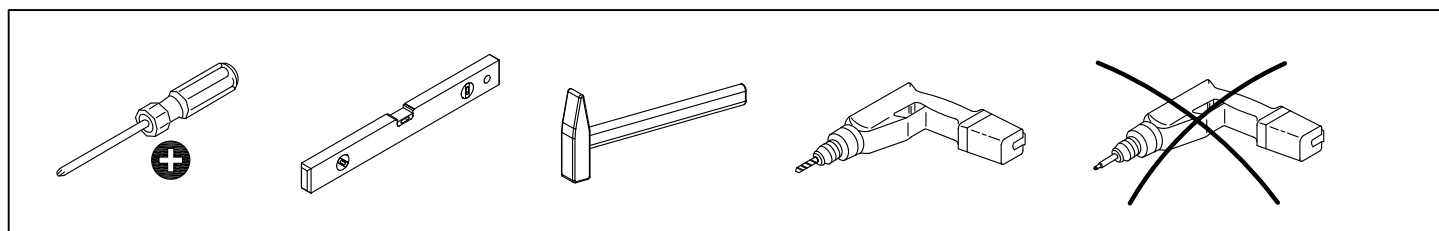
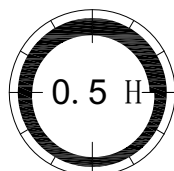
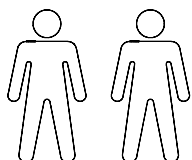
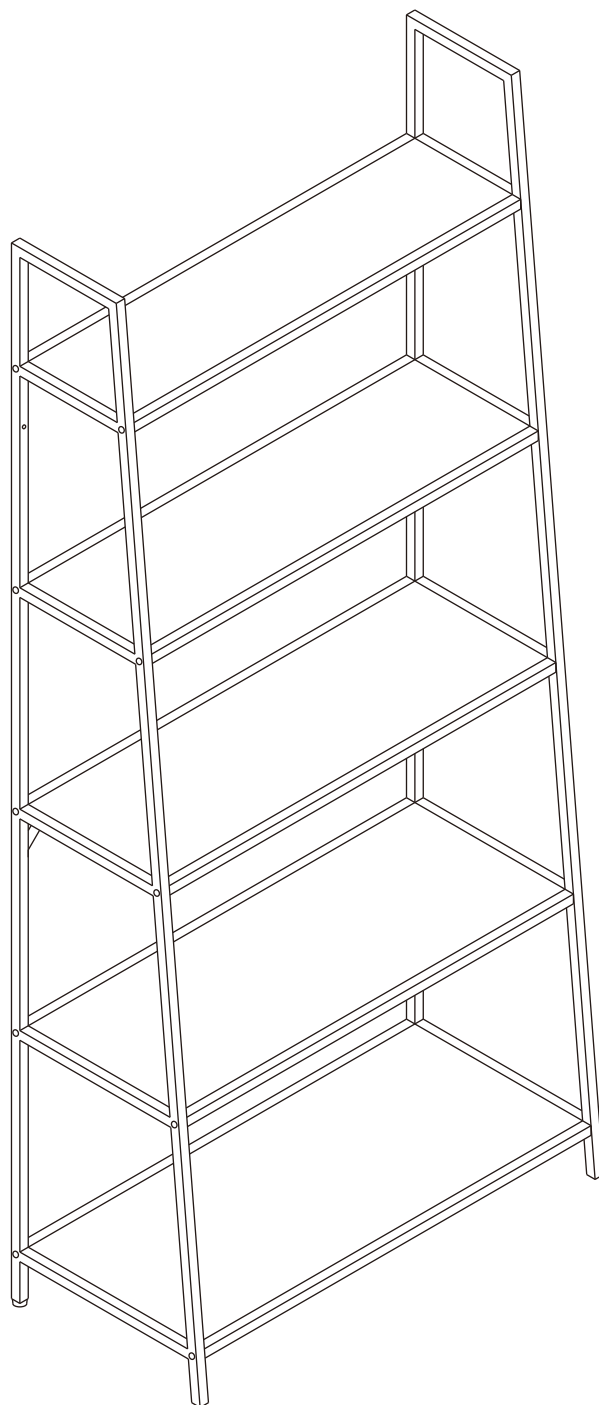
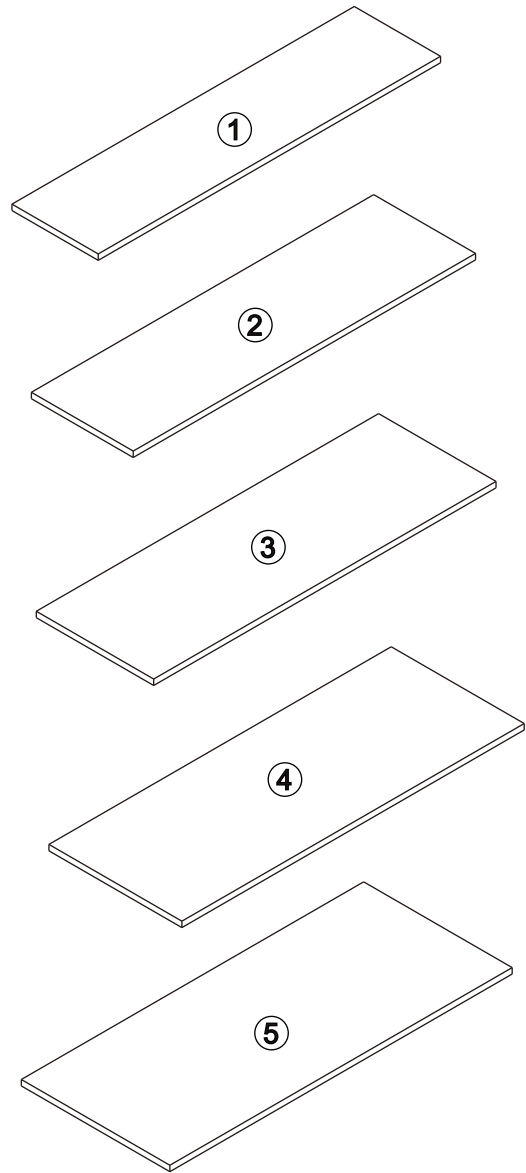
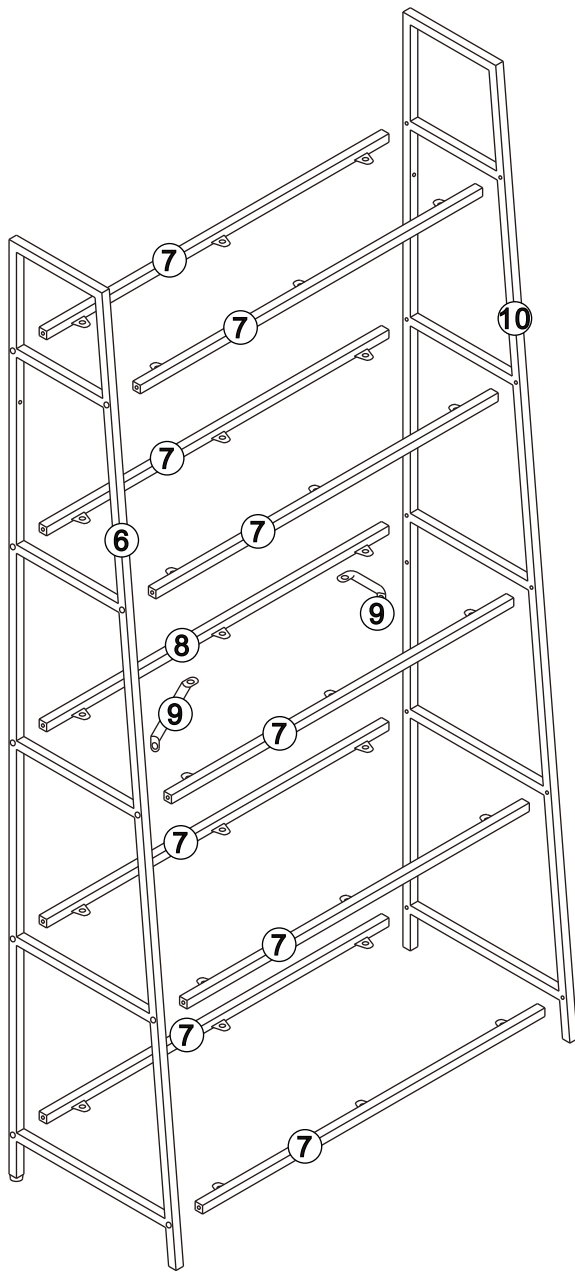
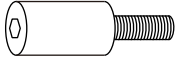
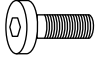
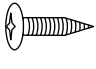



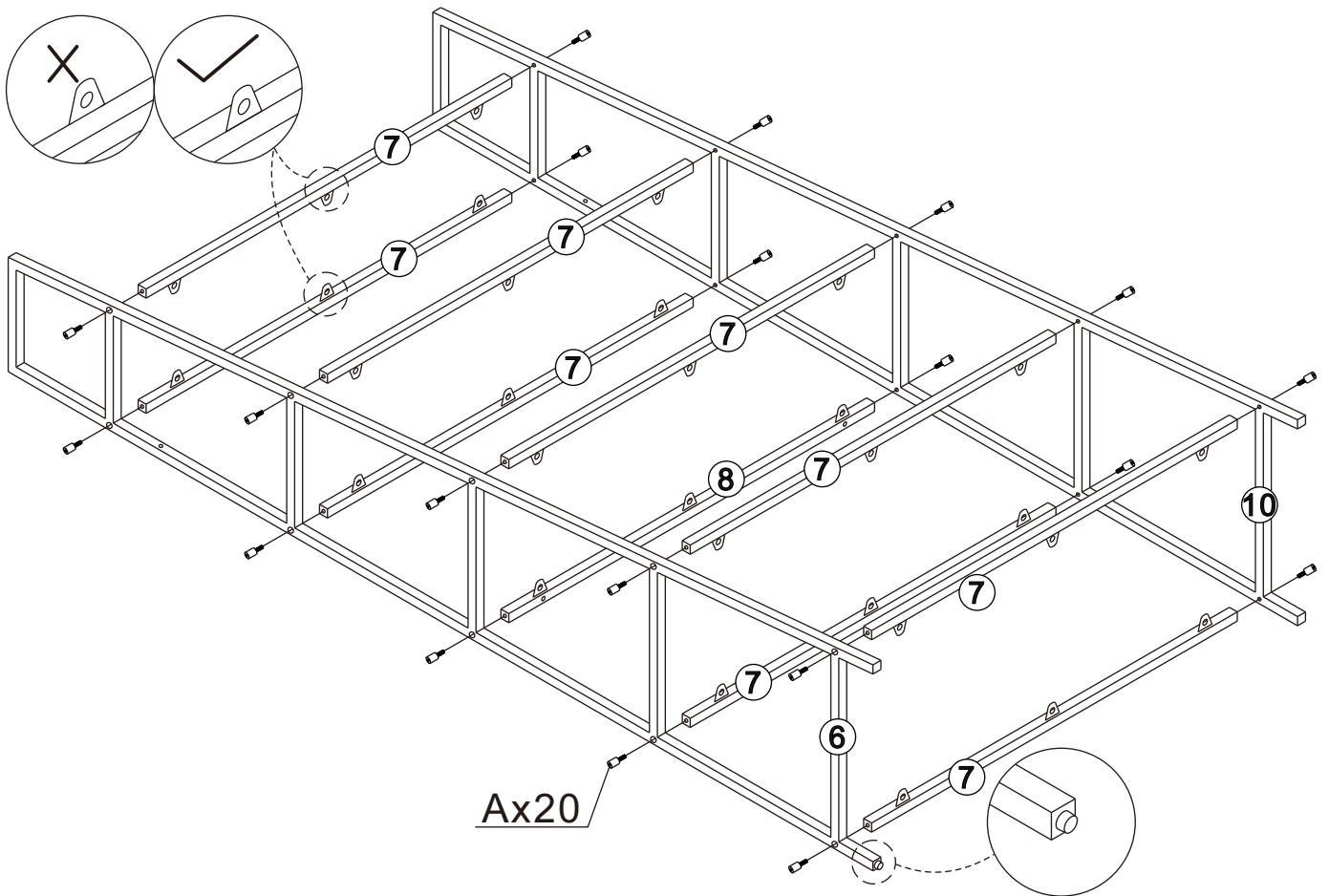
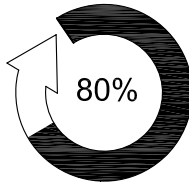
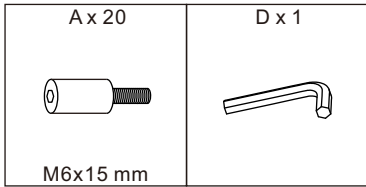
# SEAFORD





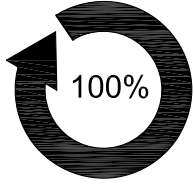
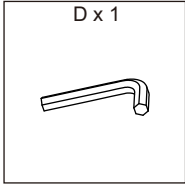
| A x 20  | B x 4   | C x 30  | D x 1   |
|---|---|---|---|
|  |  |  |  |
| M6x15 mm  | M6x12 mm  | M4x12 mm  |   |

1

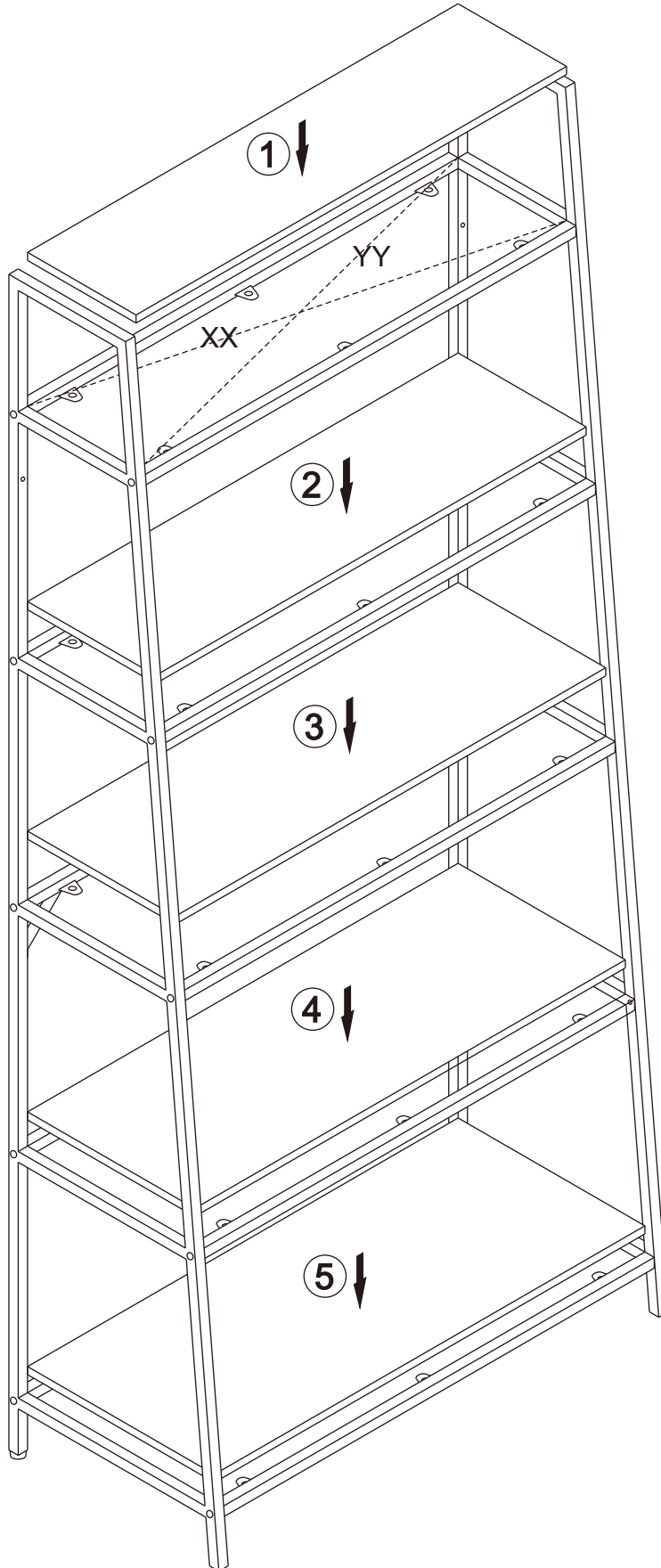




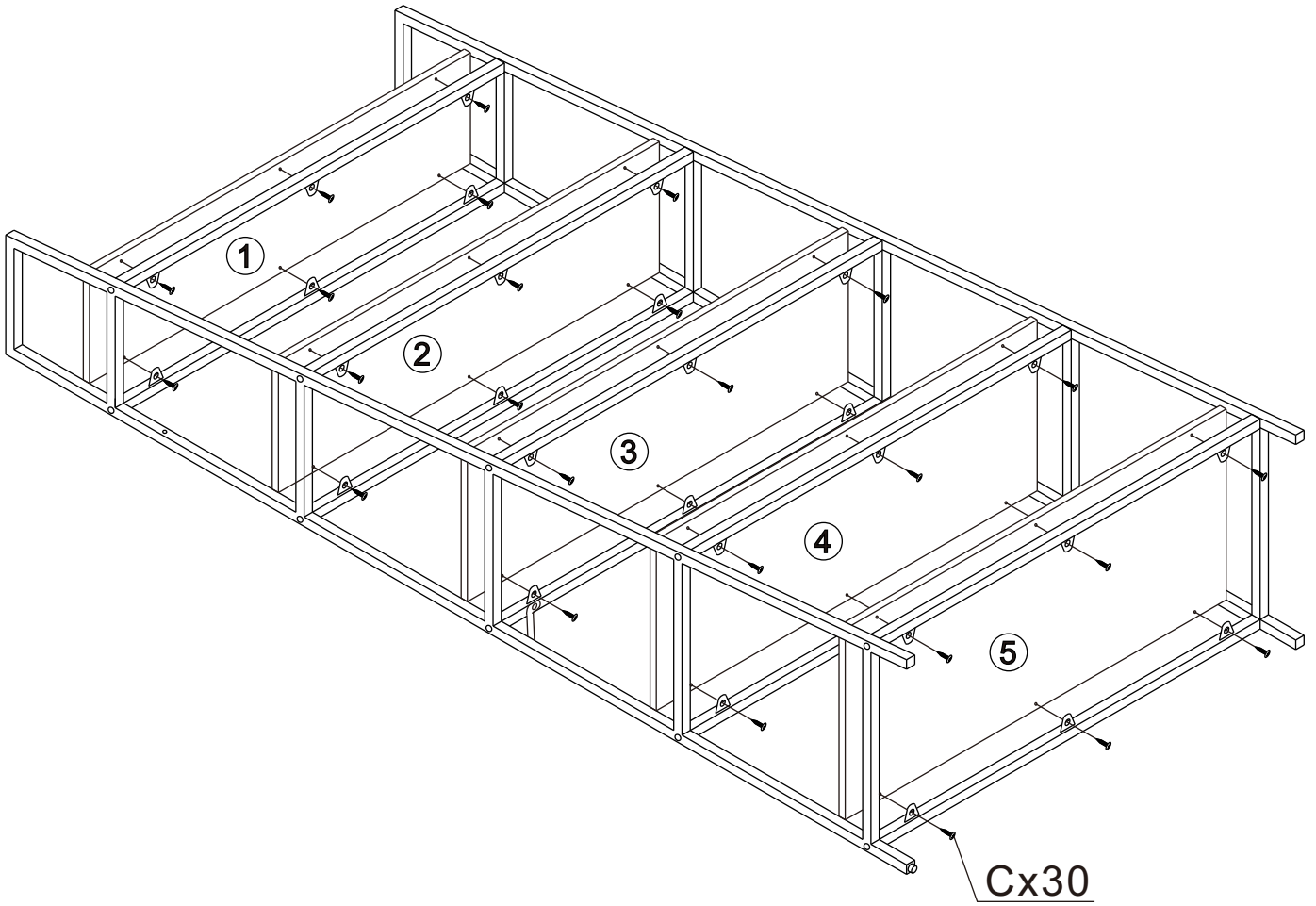
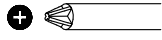
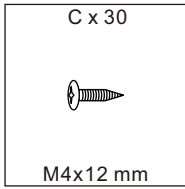
3



! XX=YY



4



5

