

NOTICE DE MONTAGE

ASSEMBLING
INSTRUCTIONS
06.02.2021 rev 0

NIHAD PANO



x1



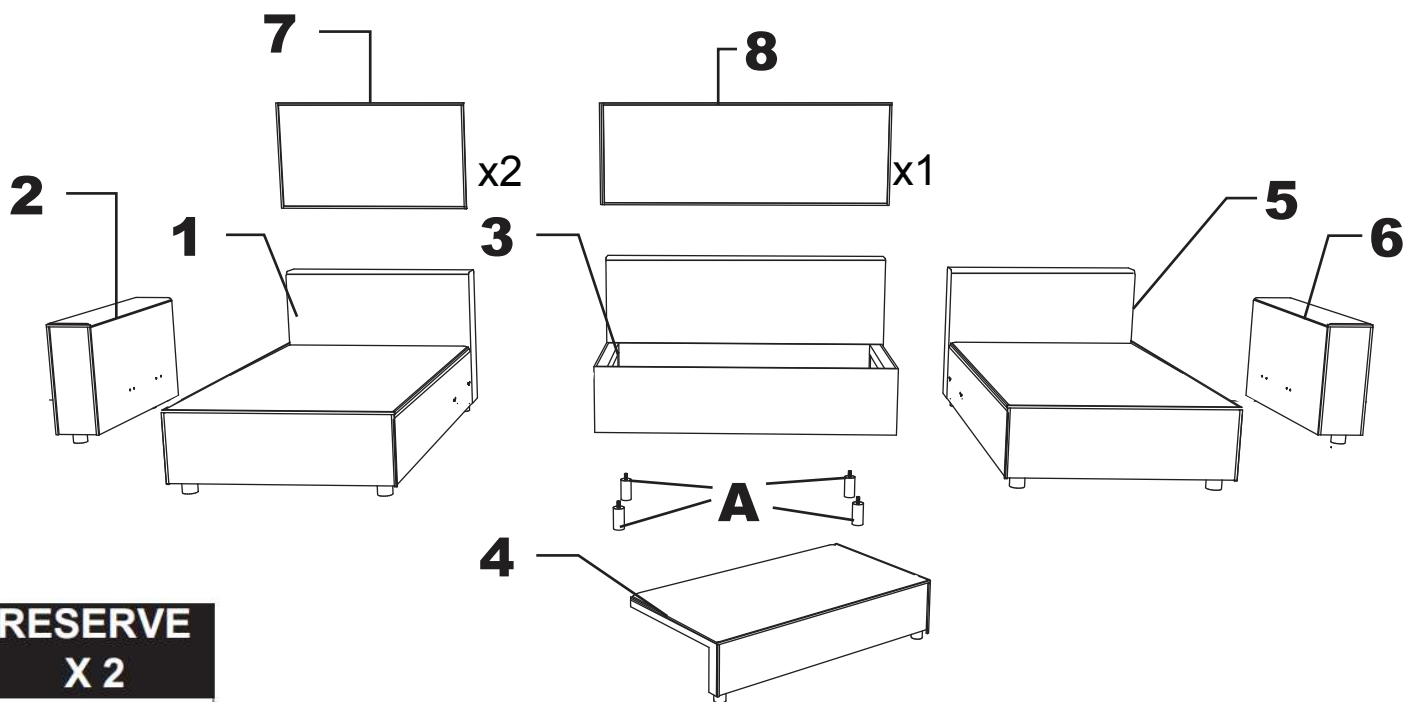
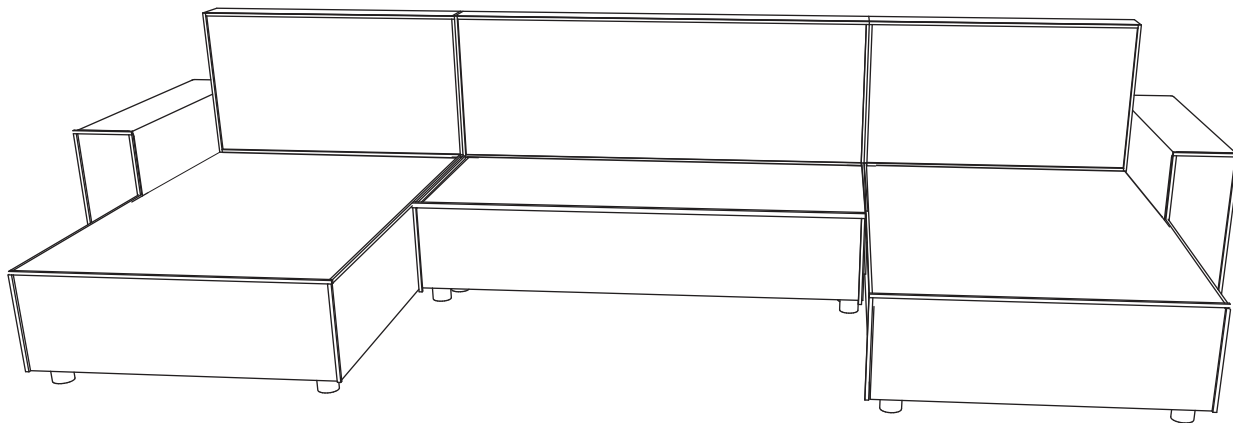
x1



30 min



x2

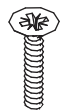


RESERVE
X 2

A x4



B x16



C x8



D x4



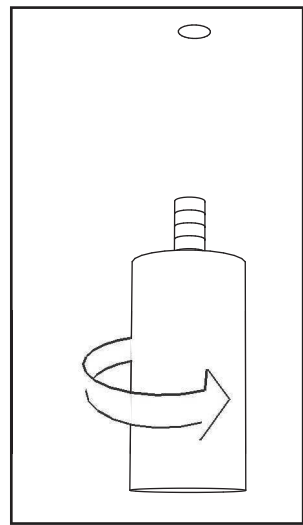
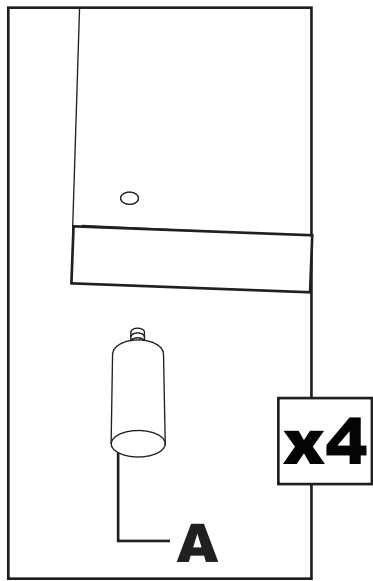
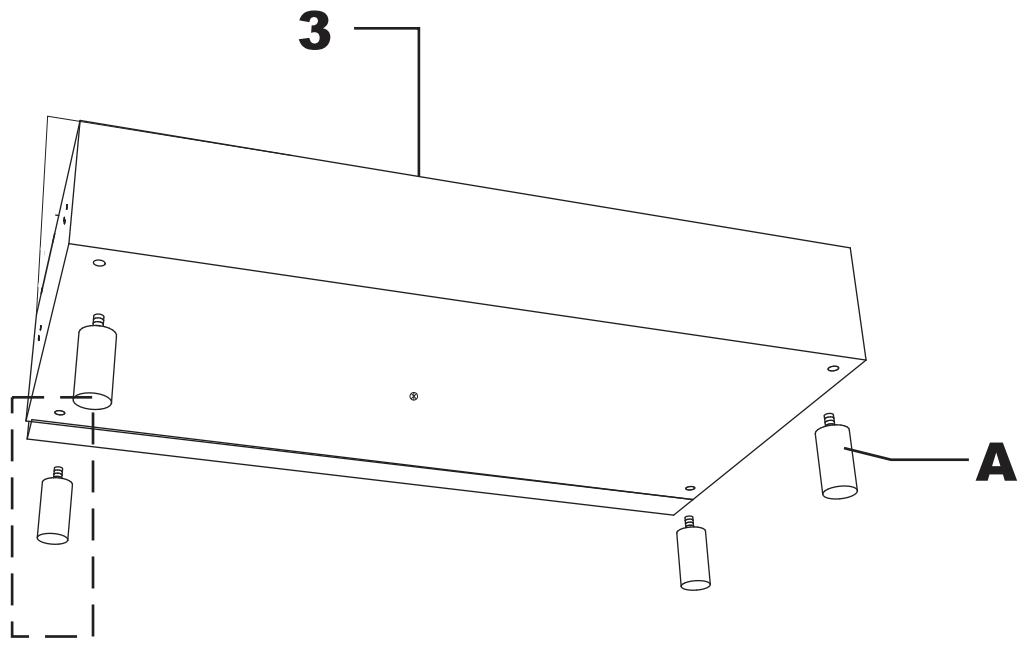
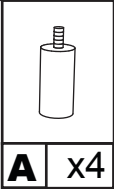
E x4





F x4

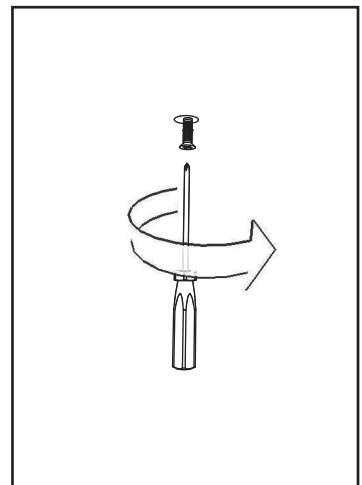
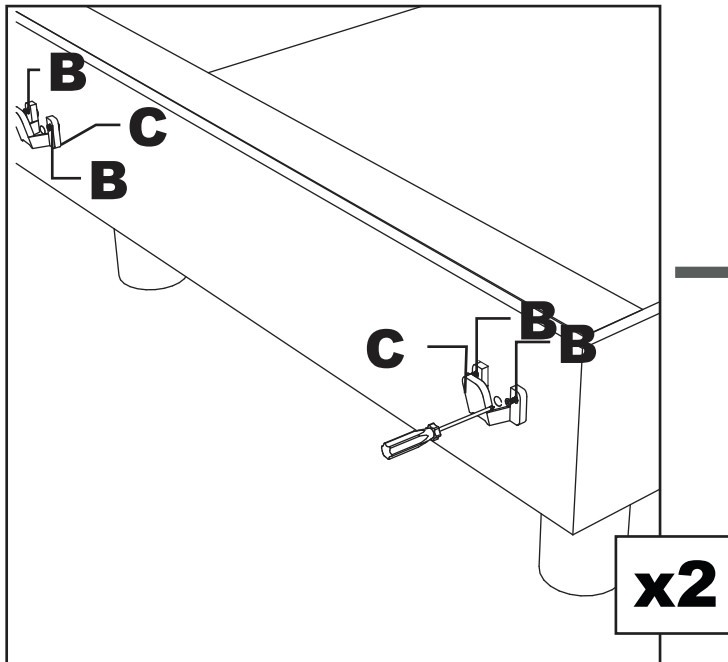
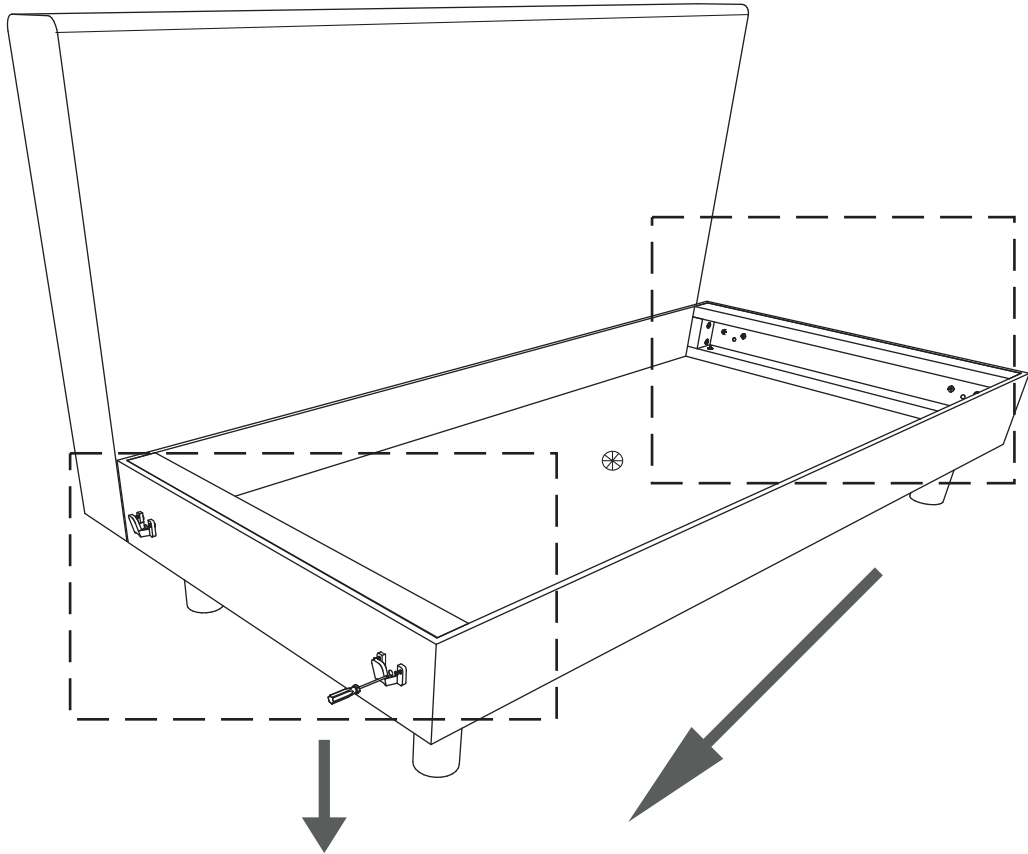


1

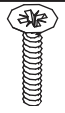



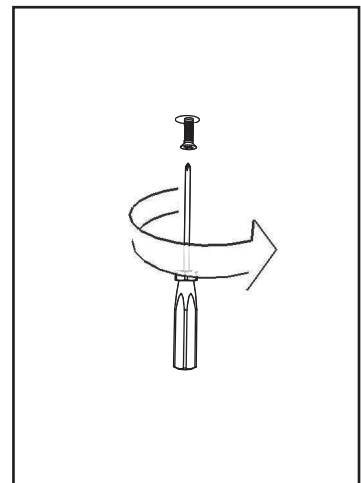
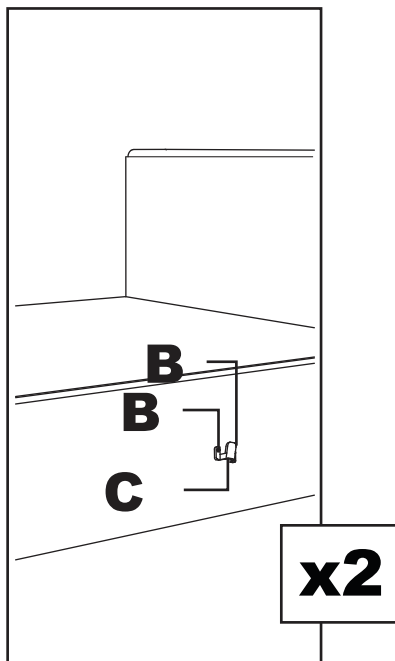
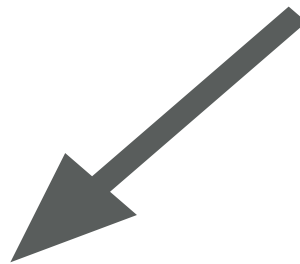
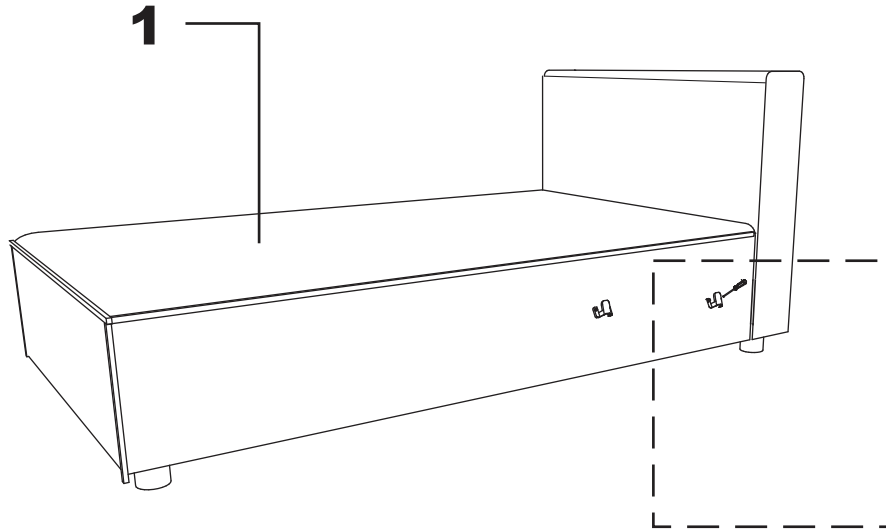
2

| | |
|------------------------------------------------------------------------------------|-------------------------------------------------------------------------------------|
|  |  |
| B x8 | C x4 |

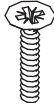



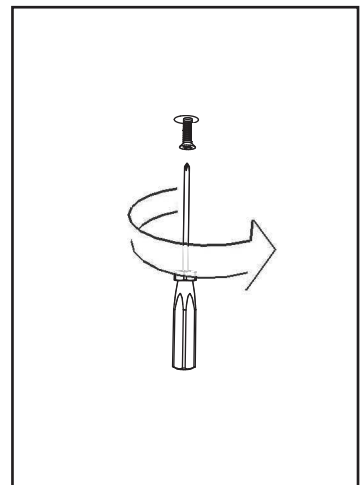
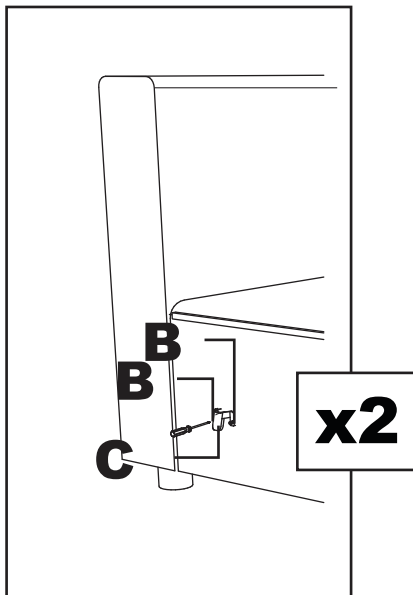
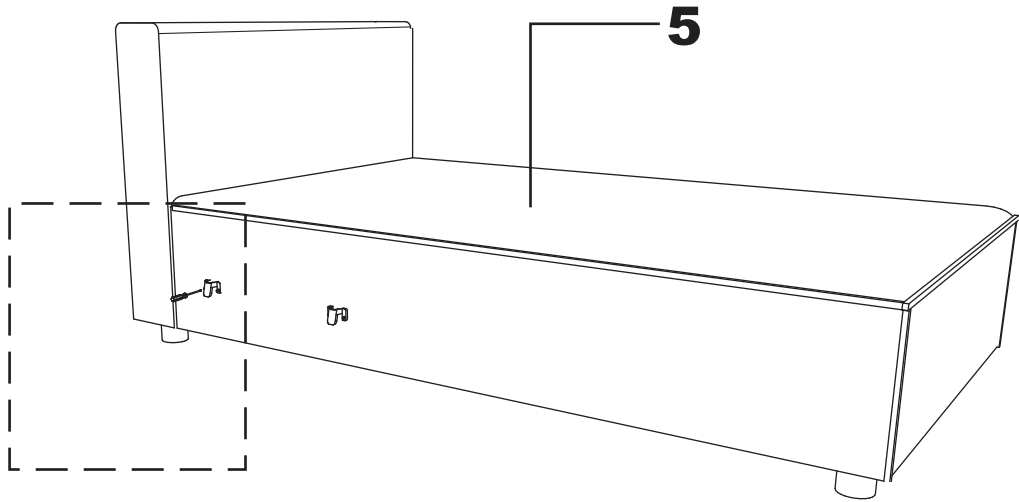
3

| | |
|------------------------------------------------------------------------------------|------------------------------------------------------------------------------------|
|  |  |
| B x4 | C x2 |



4

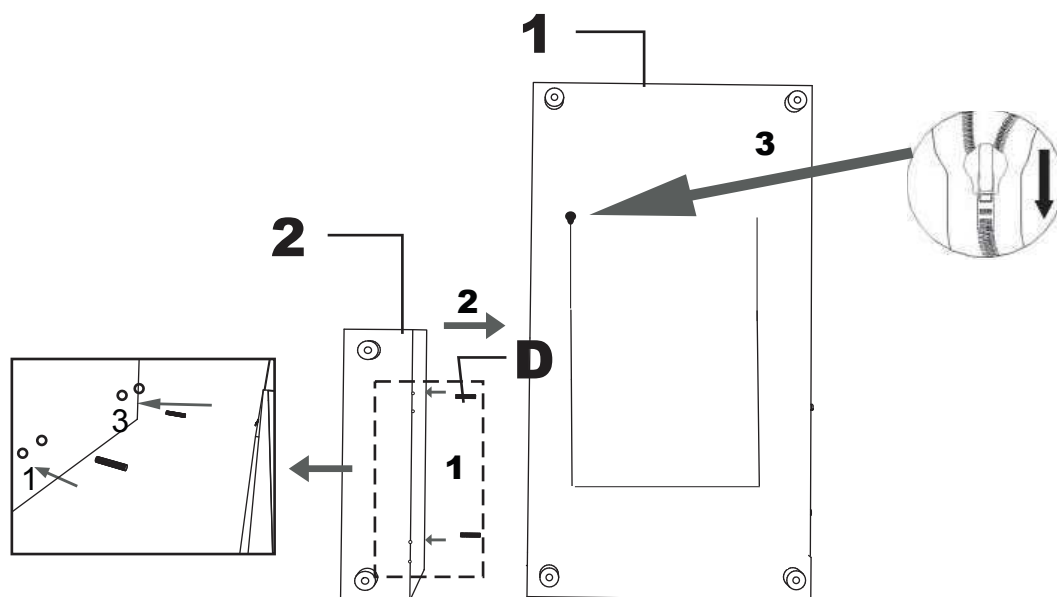
| | |
|------------------------------------------------------------------------------------|-------------------------------------------------------------------------------------|
|  |  |
| B x4 | C x2 |



5

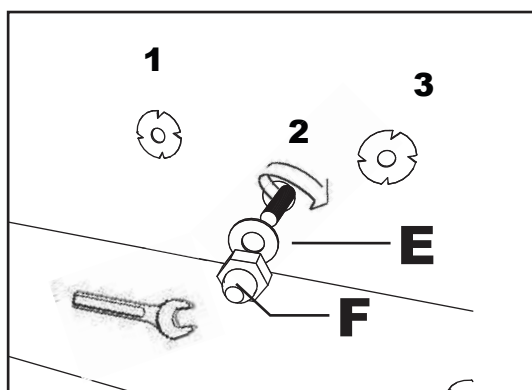
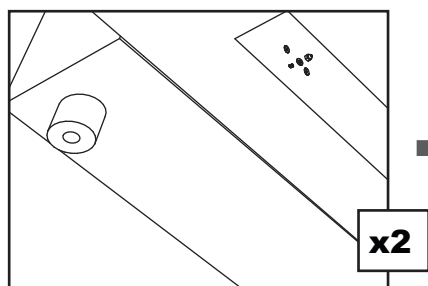
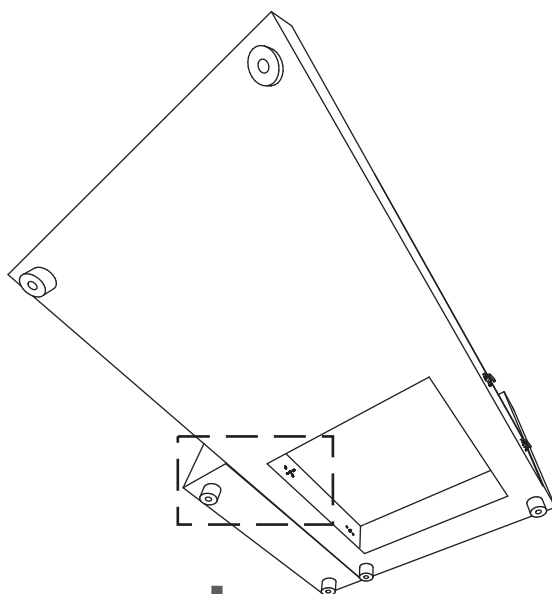


| | |
|----------|----|
| D | x2 |
|----------|----|

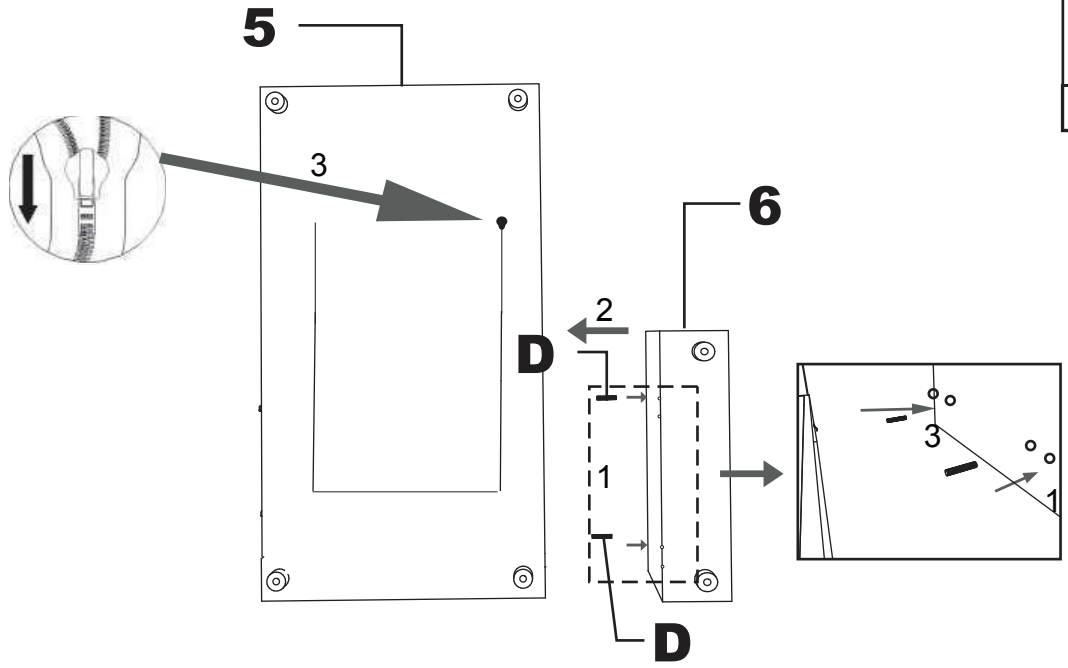



| | |
|----------|----|
| E | x2 |
|----------|----|

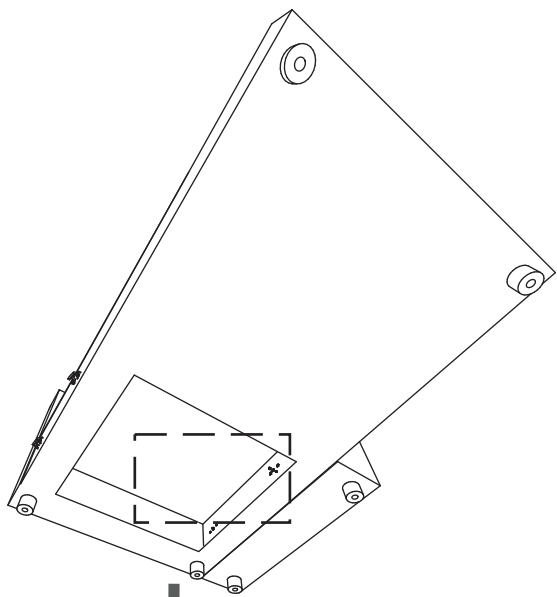
| | |
|----------|----|
| F | x2 |
|----------|----|





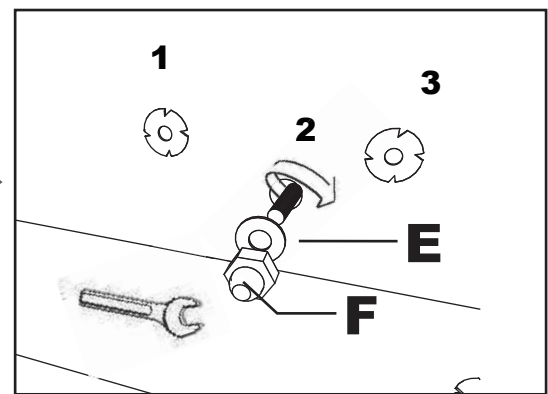
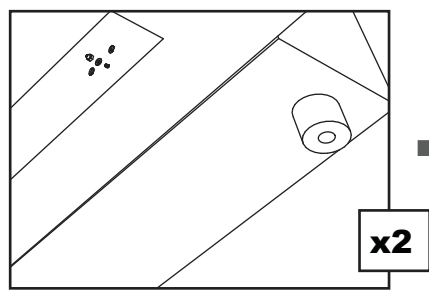
6



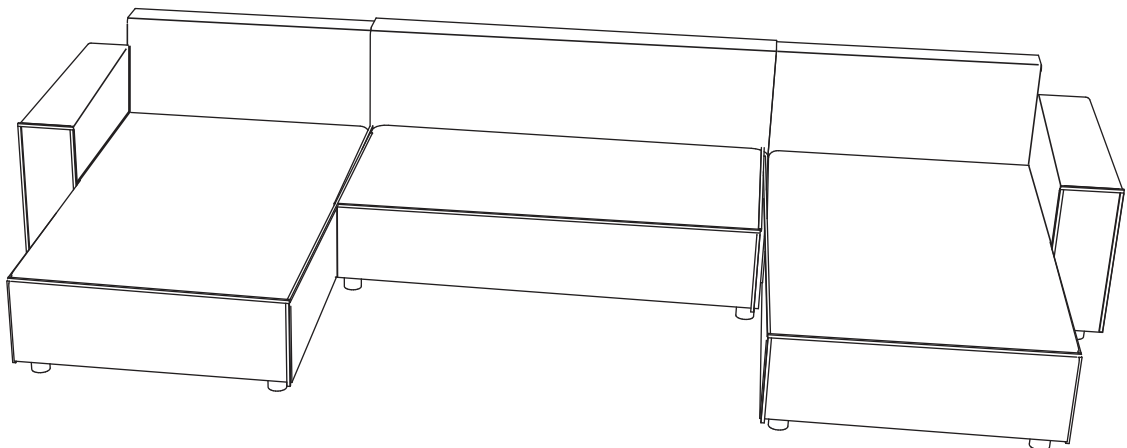
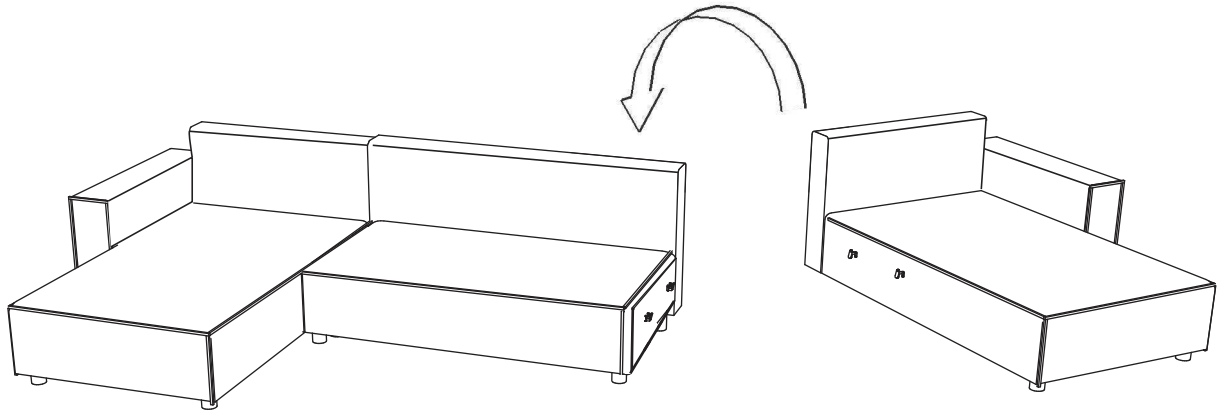
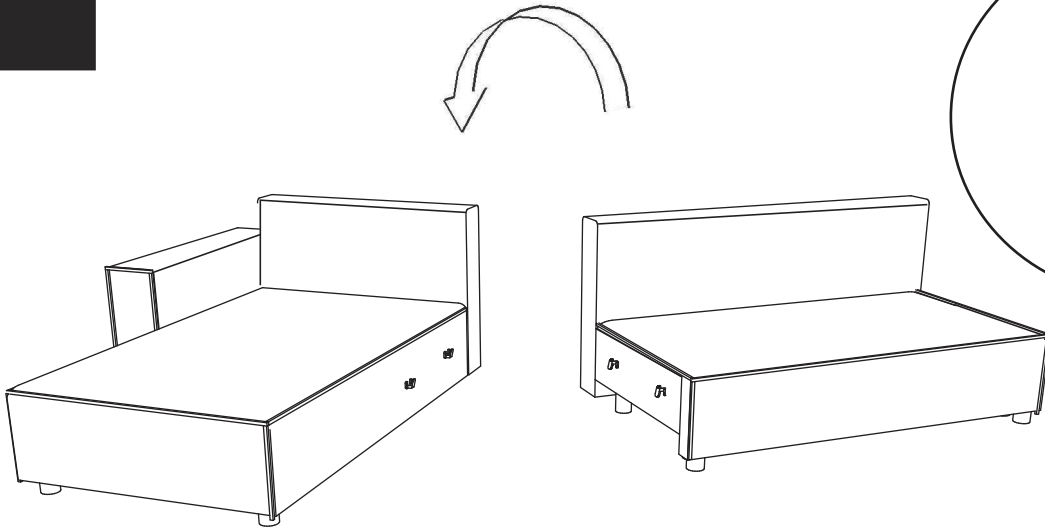
| |
|-------------------------------------------------------------------------------------|
|  |
| D x2 |



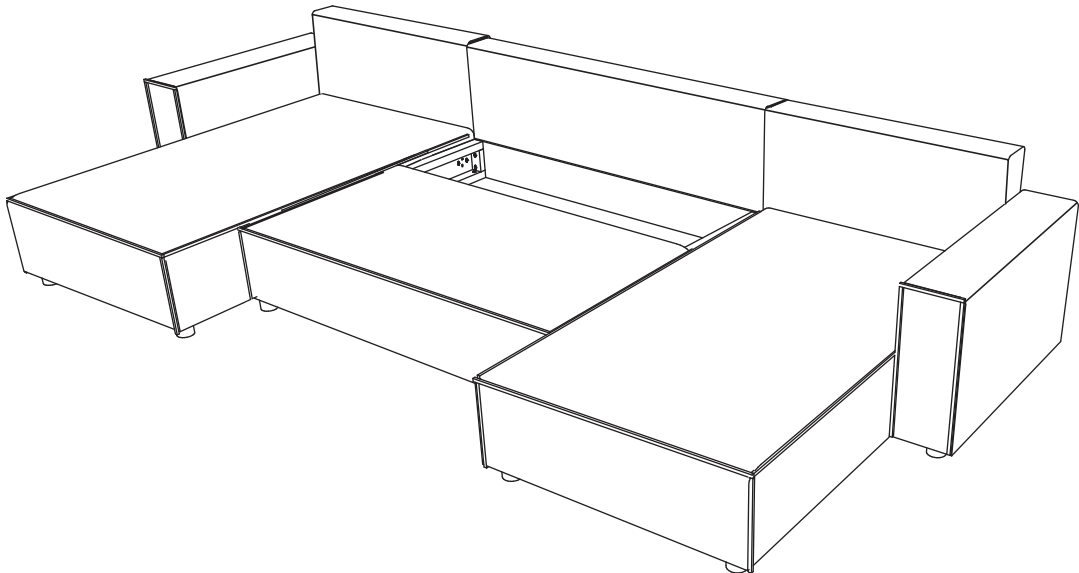
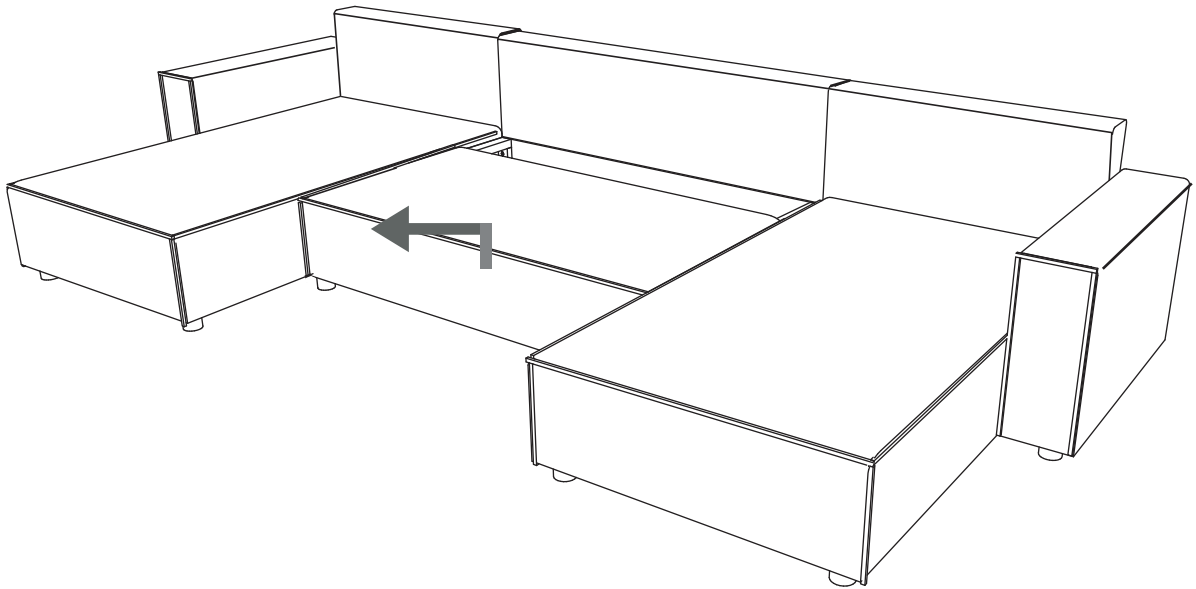
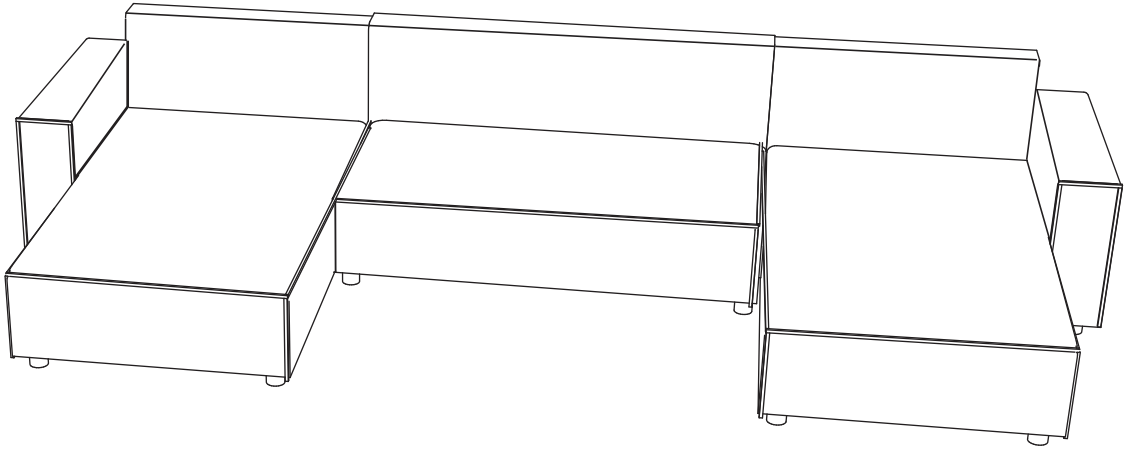
| | |
|-------------------------------------------------------------------------------------|-------------------------------------------------------------------------------------|
|  |  |
| E x2 | F x2 |



7



8



9

