
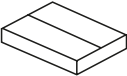

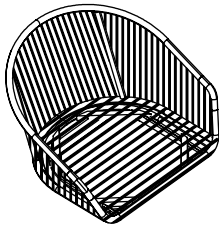


Kave® Cares

		
15 min	x1	x2



A x1



B x1



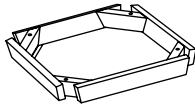
C x1



D x1



E x1



F x1



G x8
M8



H x8
ø8,5mm



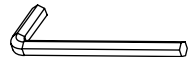
I x1



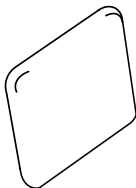
J x4
M6x65mm



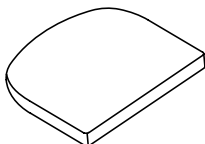
K x4
M6



L x1
4mm

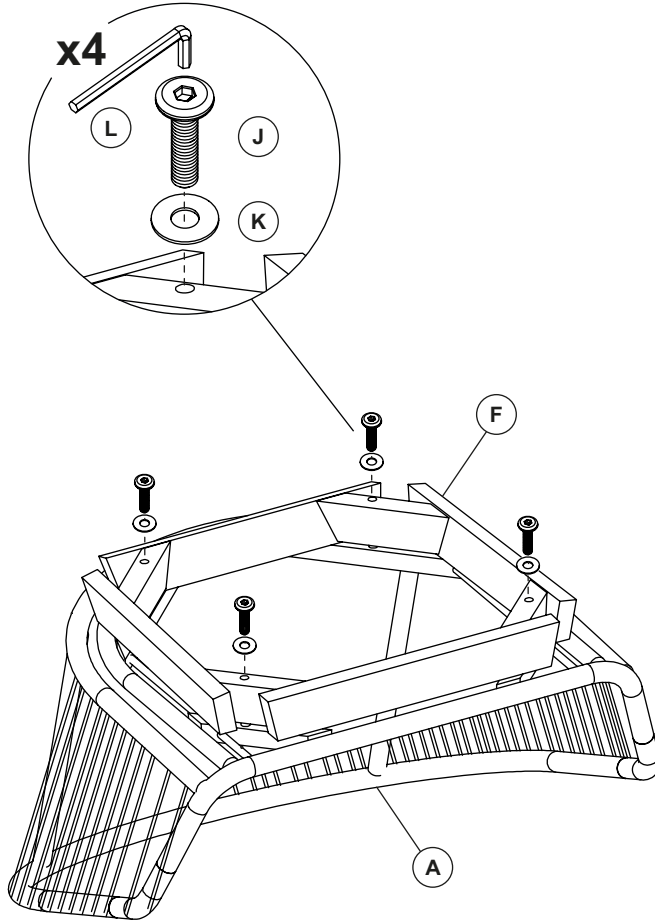


M x1

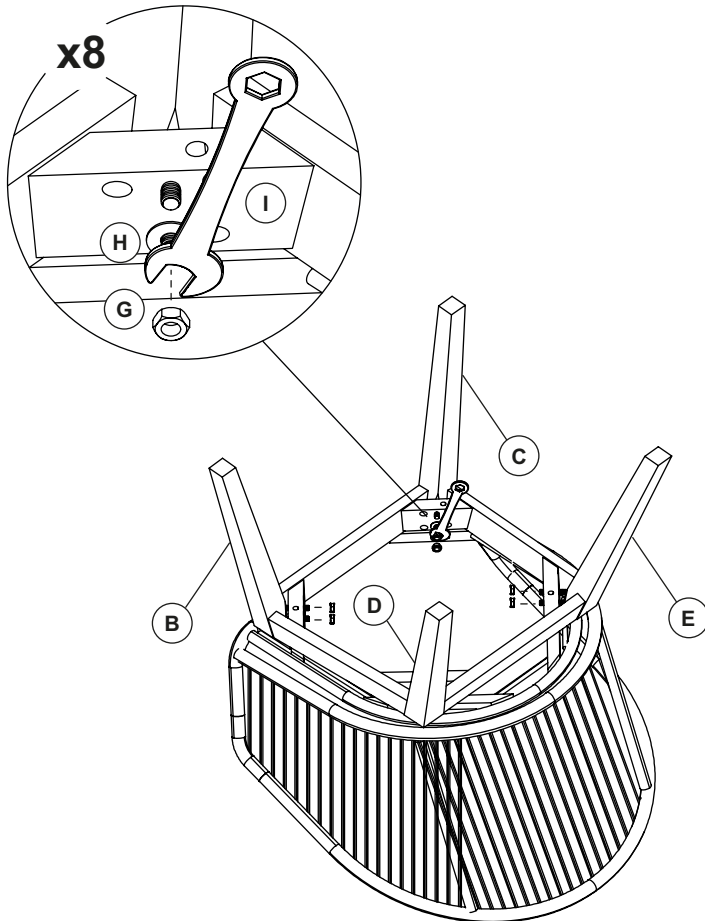


N x1

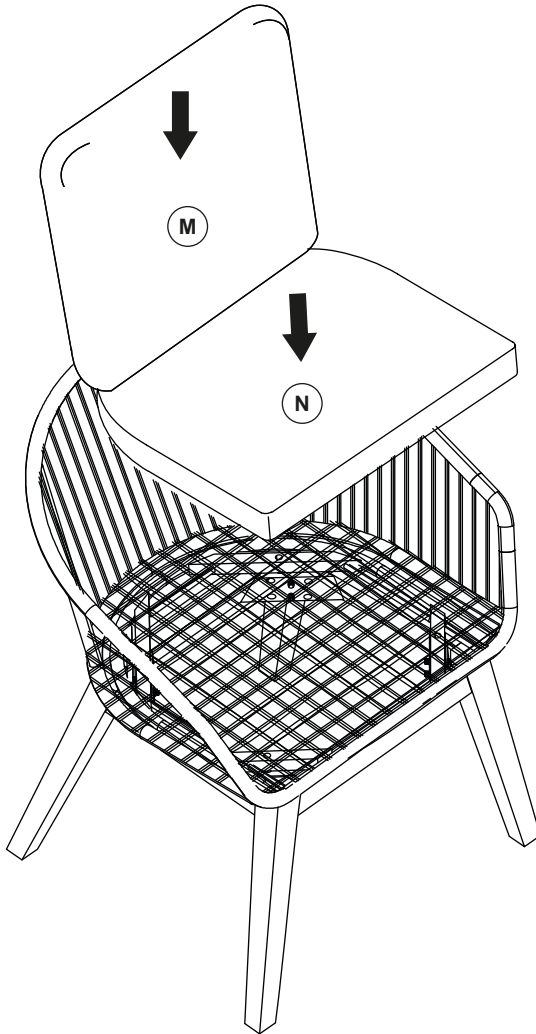
1

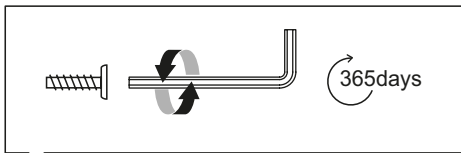
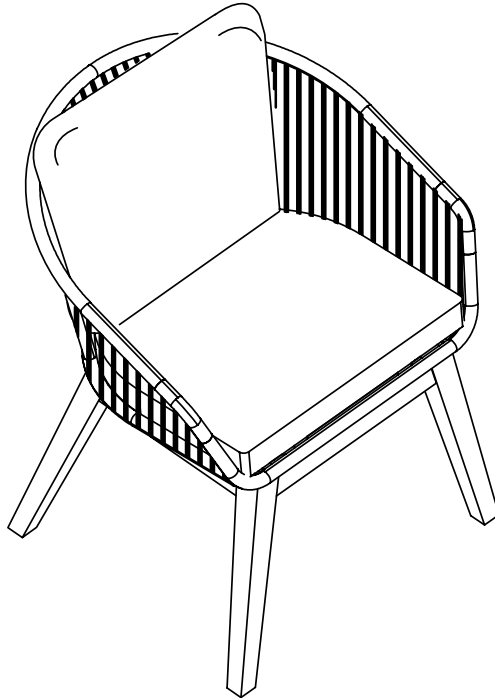


2



3







THAT'S ALL FOLKS

Share your style!

#KaveHome

