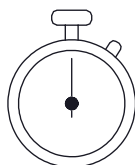
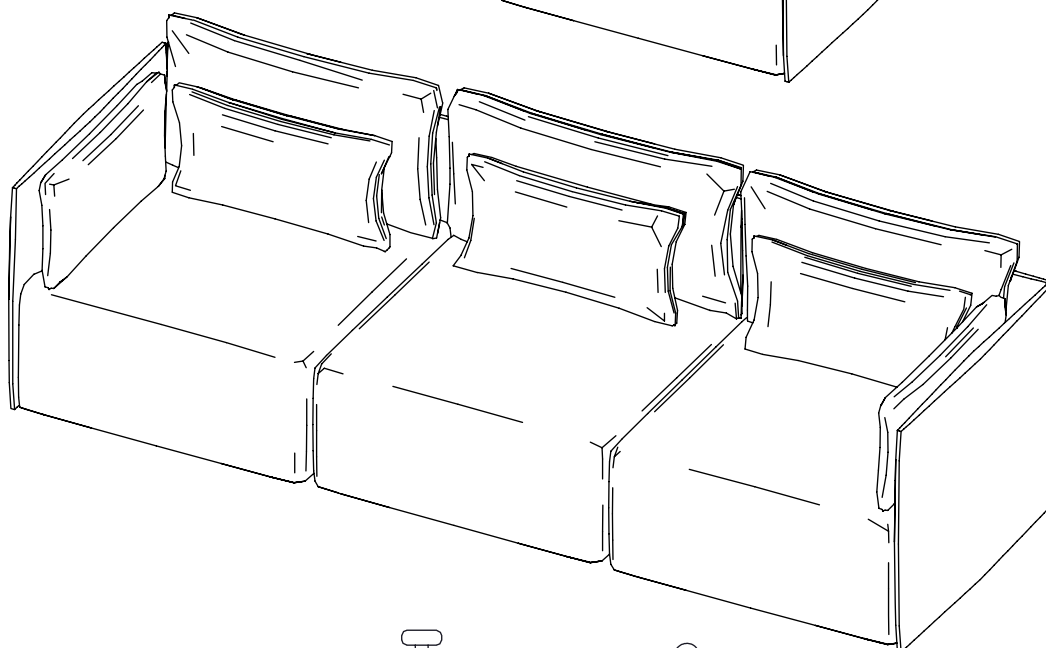
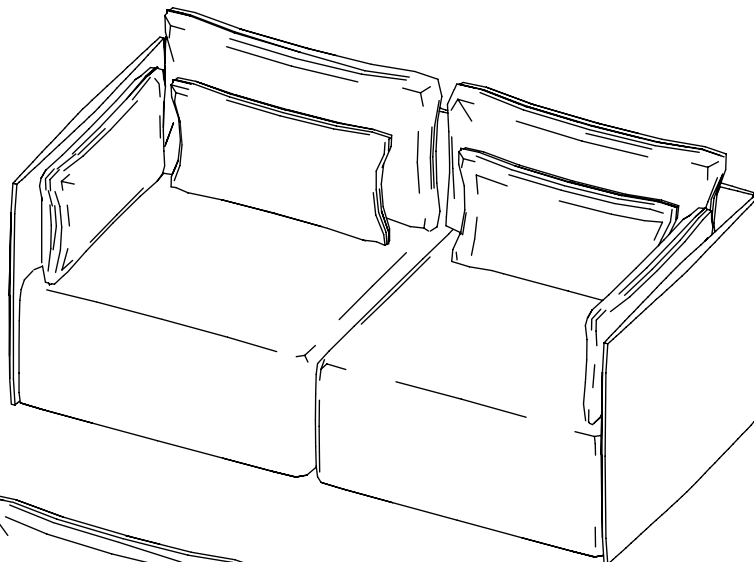


# DUNE



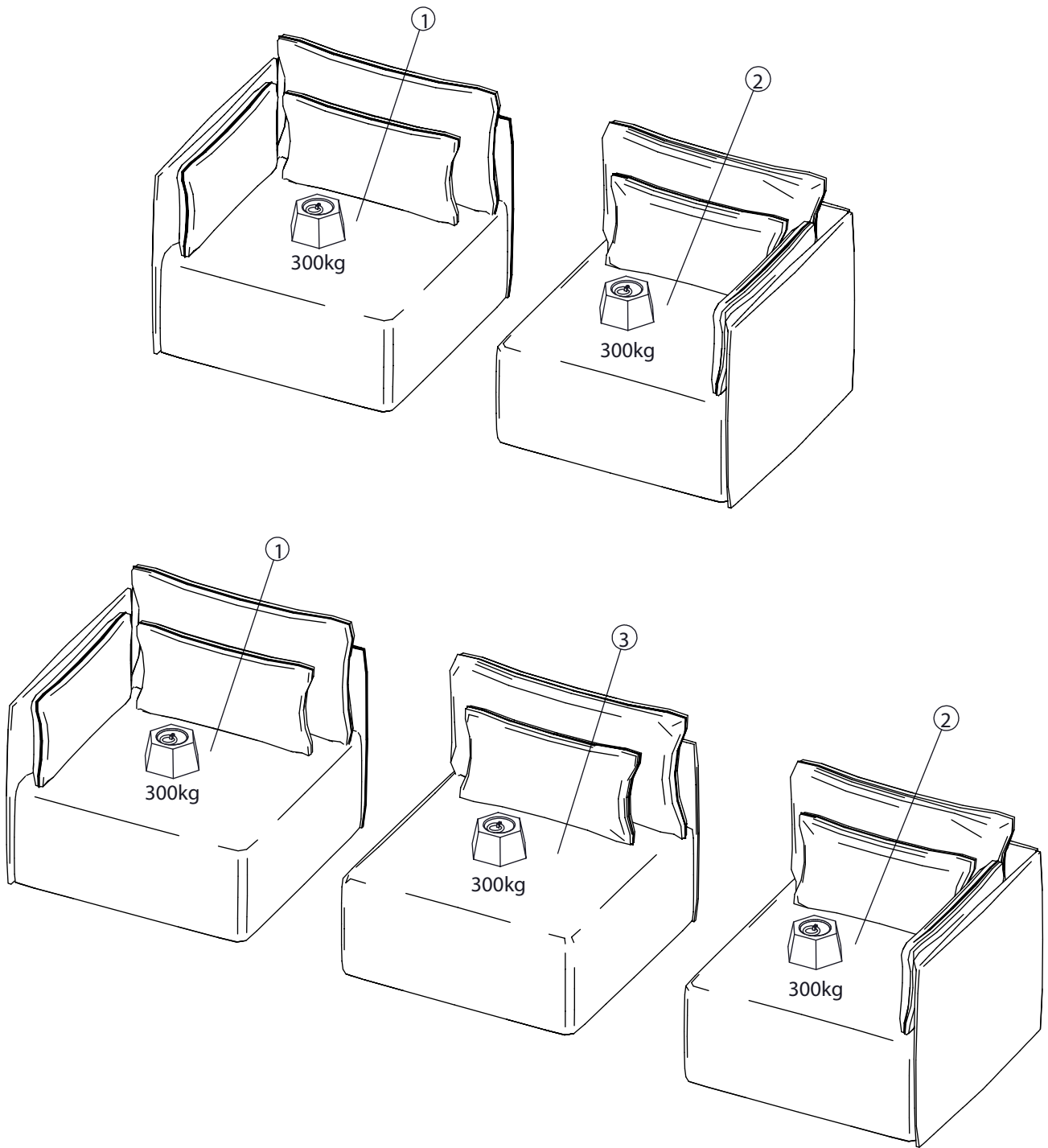
0 : 10





x 1



**TEMAHOME**  
welcome vibrations



	x	mm	
1	1	900 x 900 x 840	1
2	1	900 x 900 x 840	2
3	1	900 x 800 x 840	3

1

