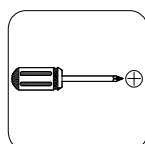
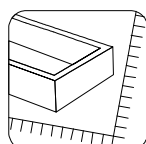
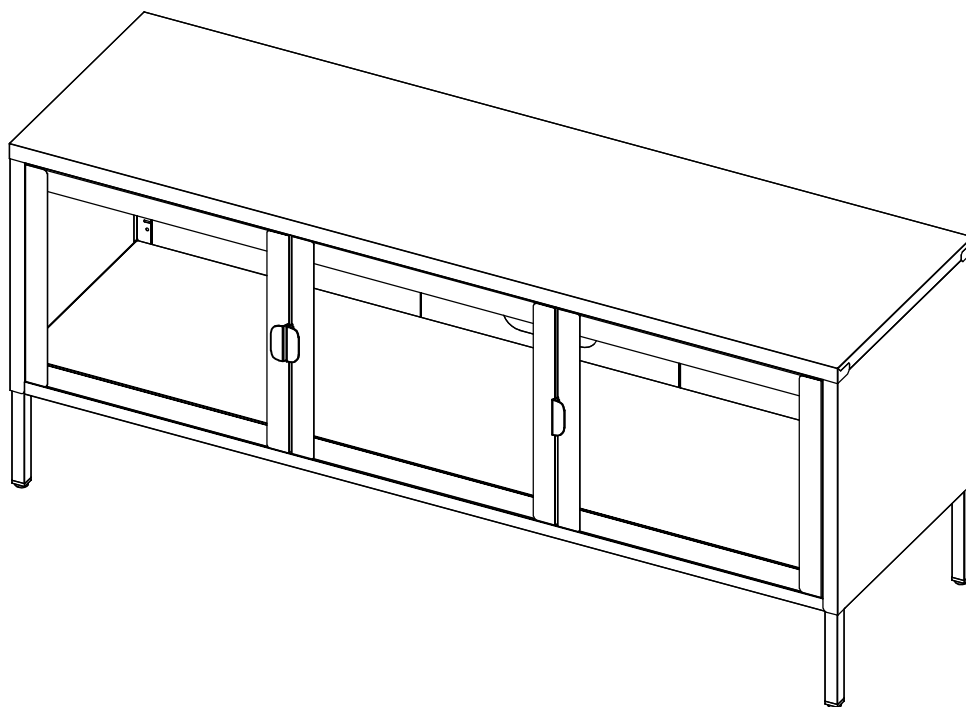
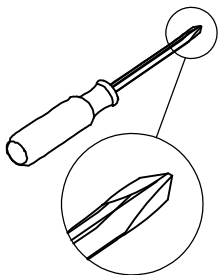
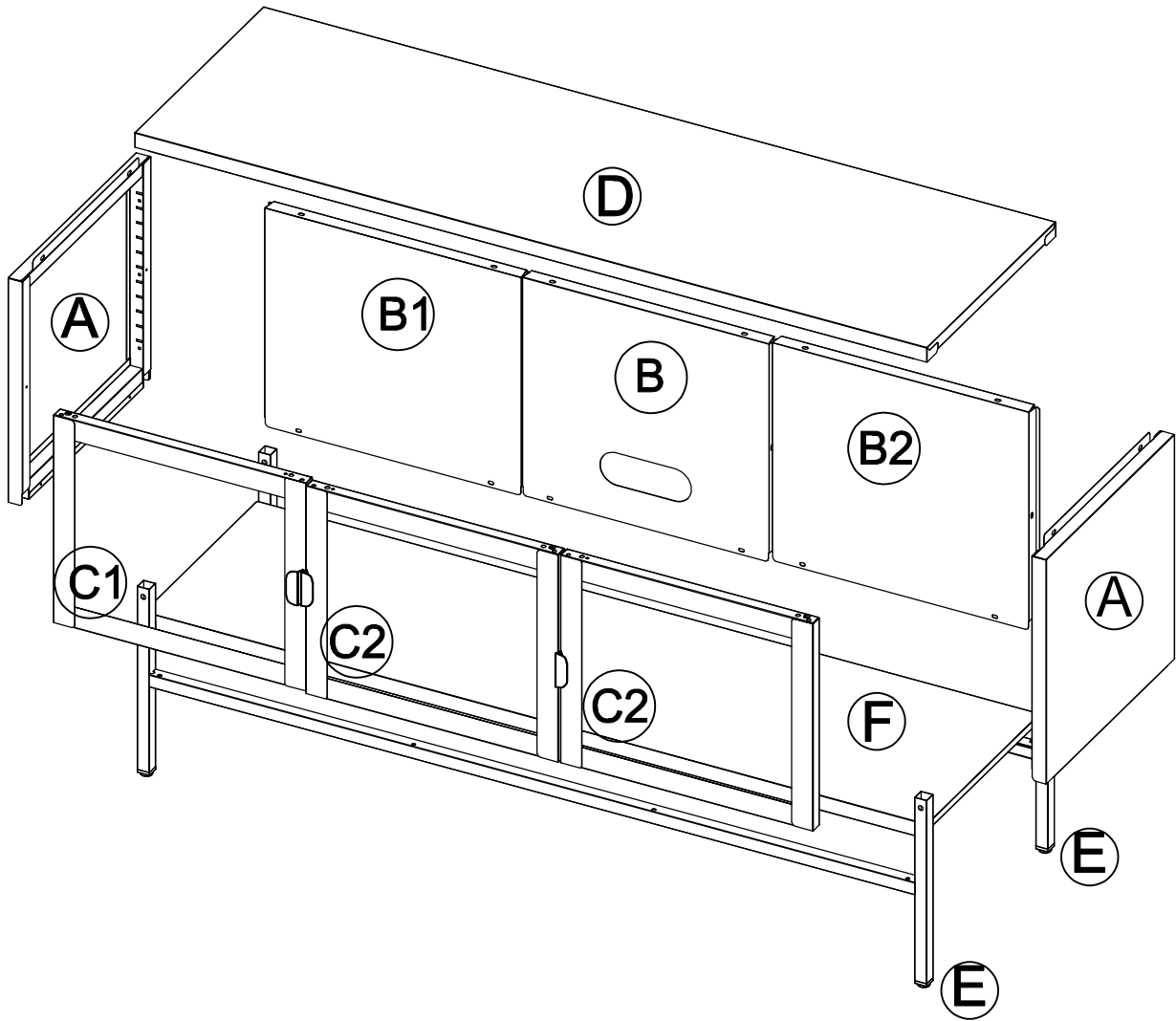


3001054

**HOUSE  
NORDIC**

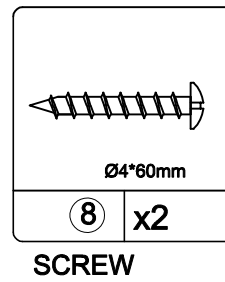
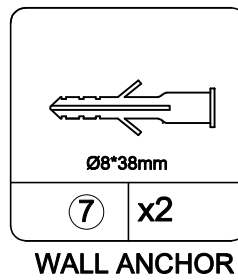
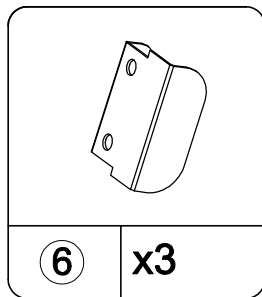
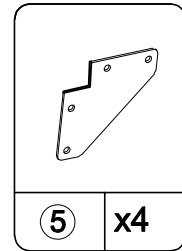
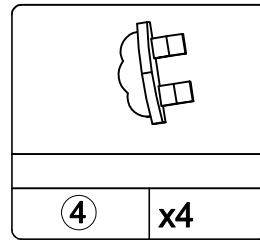
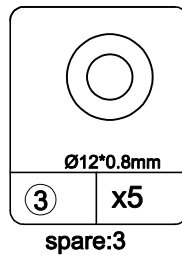
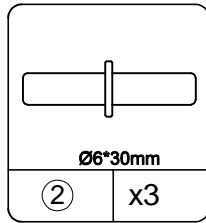
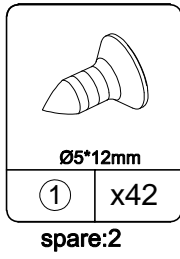
Brisbane TV-Bench, white with  
glass doors



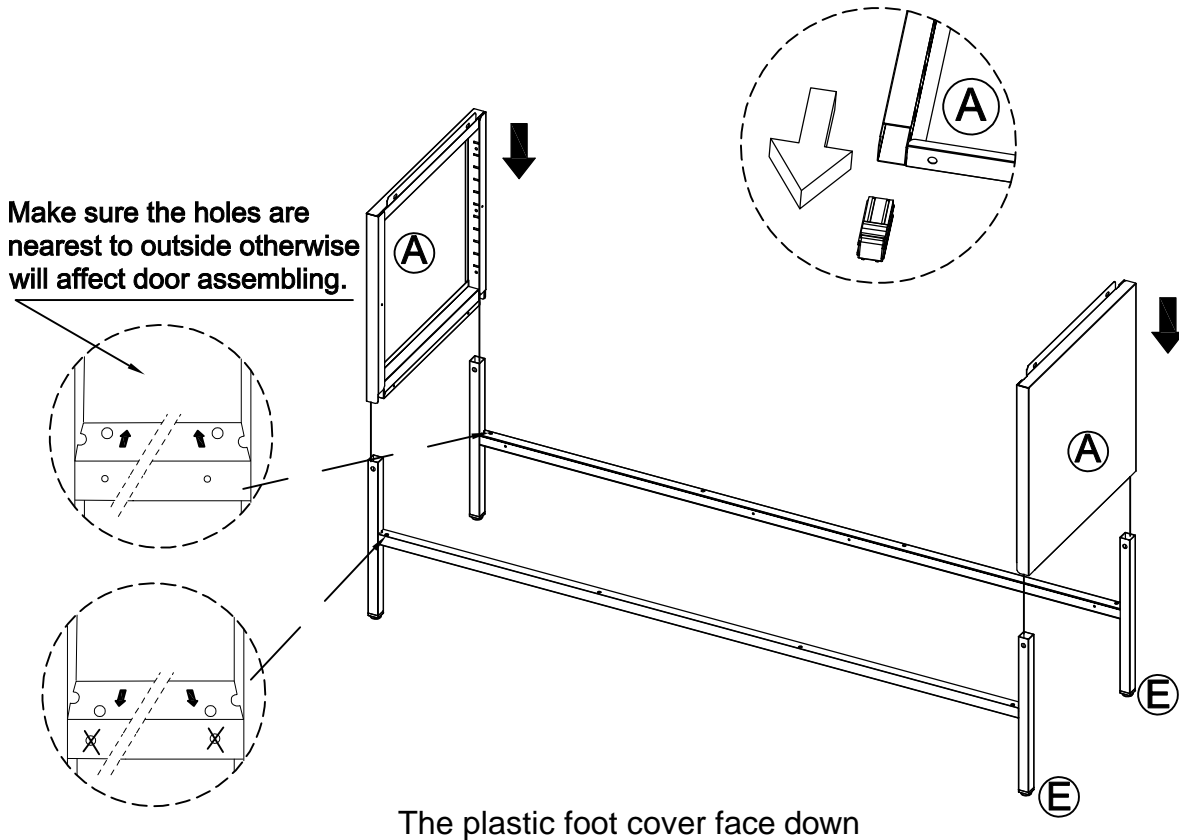


Hardware	Ctn No.	1
----------	---------	---

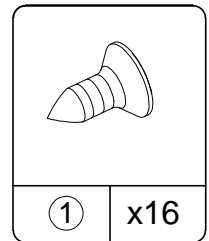
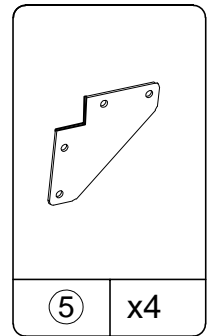
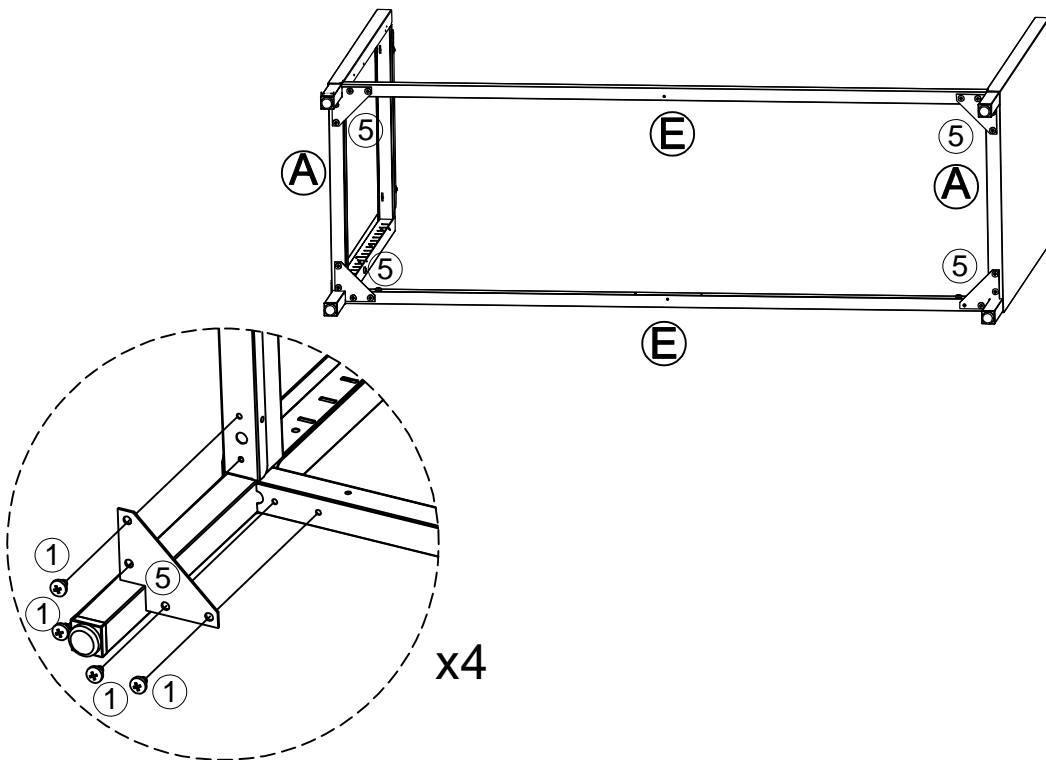
No.	Size	Qty
A	400x398x24mm	2
B	369.5x430.5x23mm	1
B1	369.5x427x23mm	1
B2	369.5x427x23mm	1
C1	415x351x20mm	1
C2	415x351x20mm	2
D	1301.5x402x25mm	1
E	1296.5x270x20mm	2
F	1296x351x20mm	1



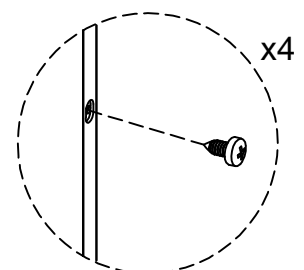
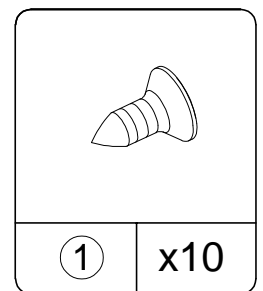
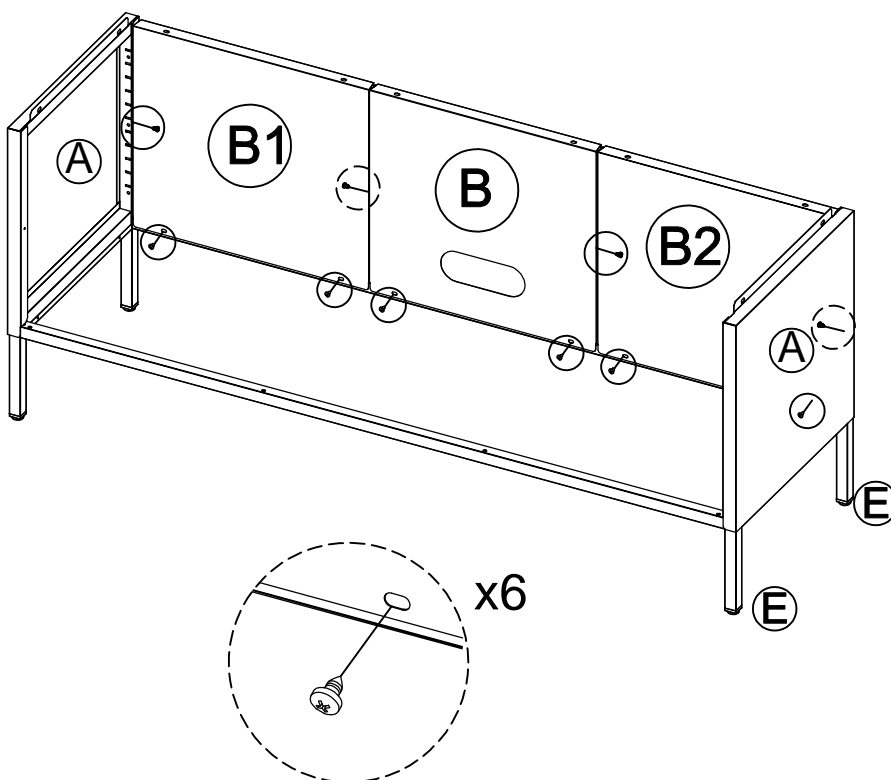
(1) - Attach (A) to (E) as below shown.



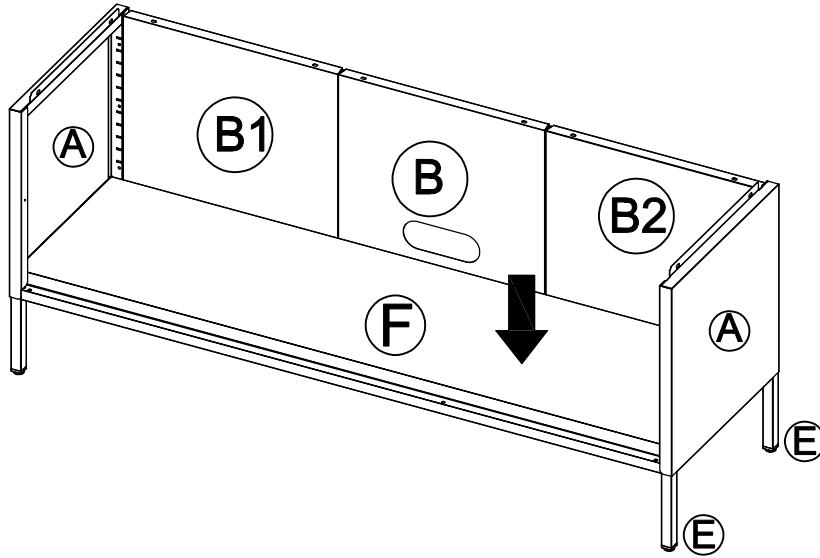
(2) - Attach ⑤ to (E) as below shown.



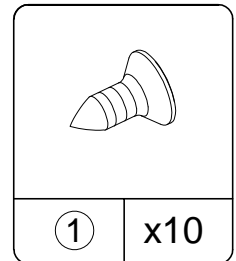
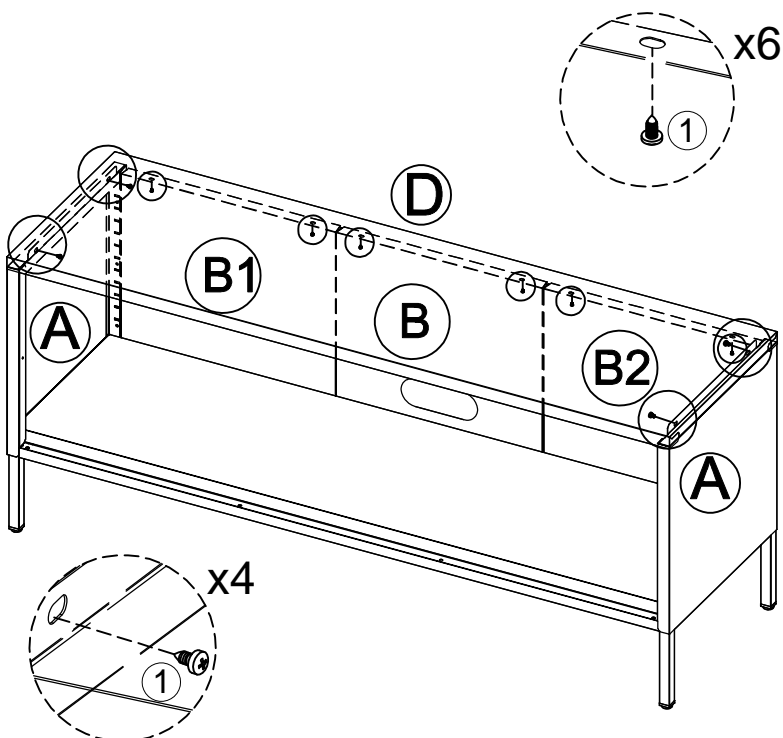
(3) - Attach (B) to (A) & (E) as below shown.



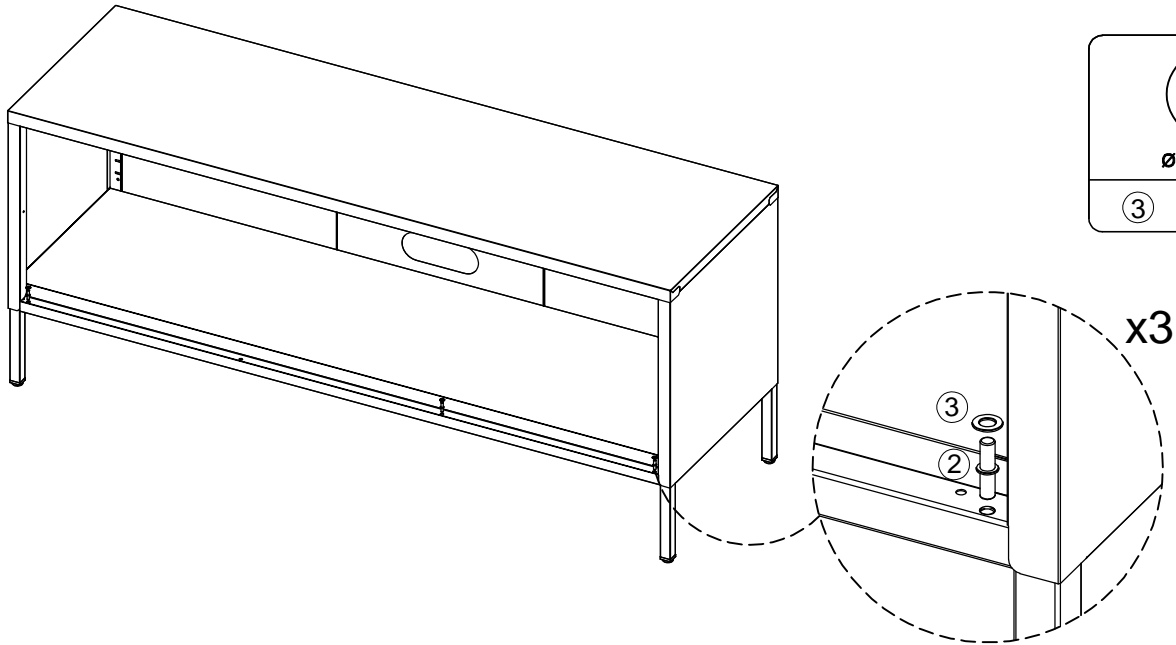
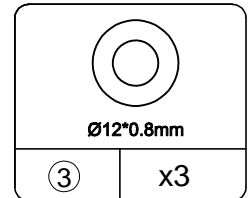
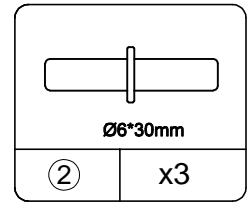
( 4 ) - Attach (F) to (A) & (B) & (E) as below shown.



( 5 ) - Attach (D) to (A) as below shown.

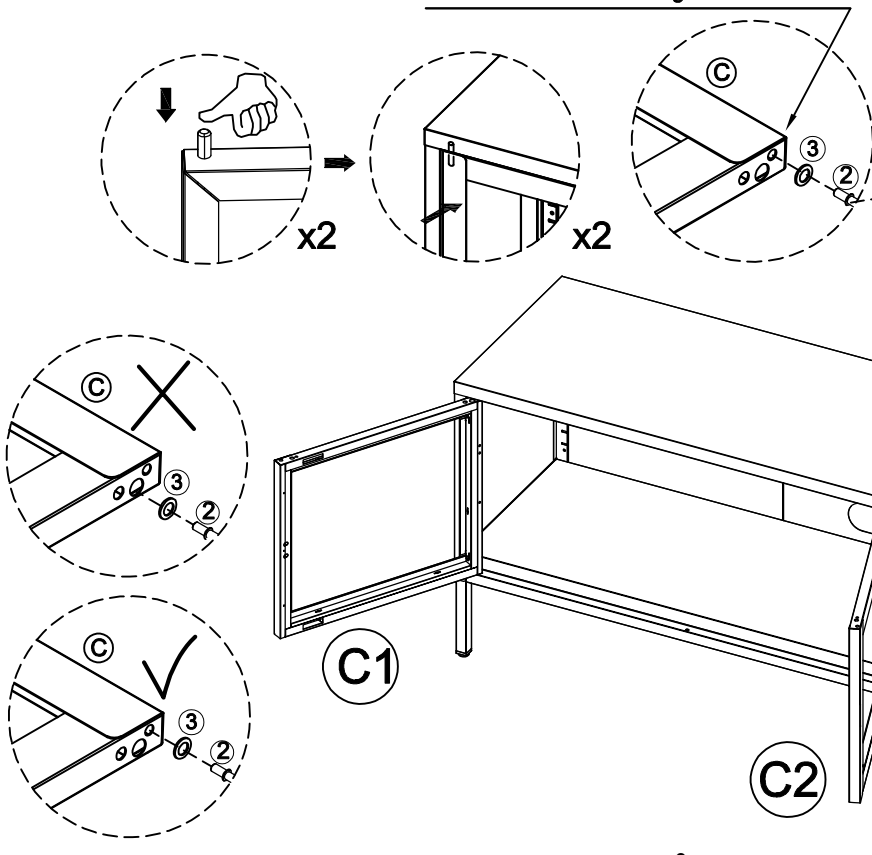
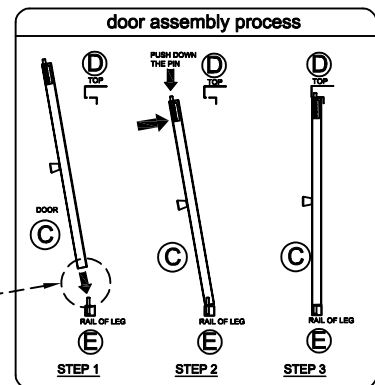


**(6)** -Attach (2) & (3) to pre-assembled unit as below shown.

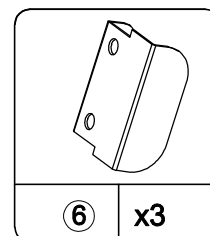
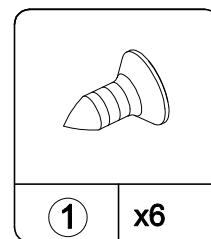
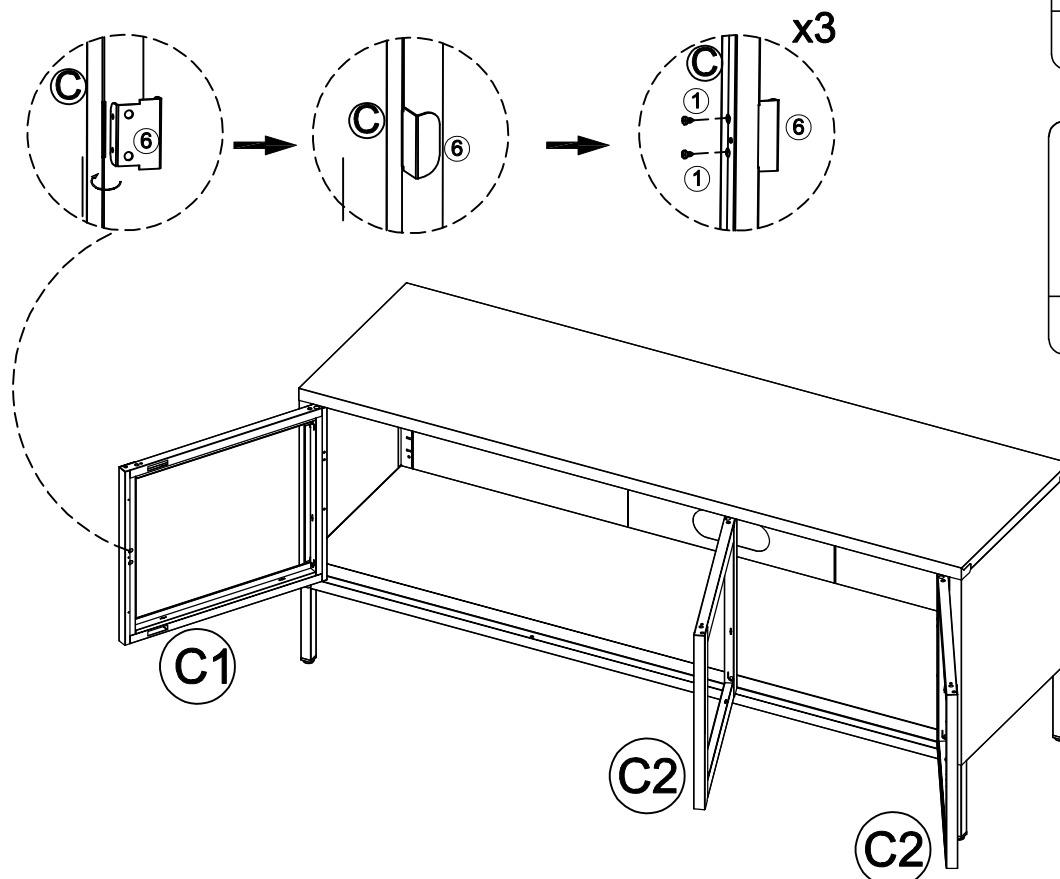


**(7)** - Attach (C) to pre-assembled unit as below shown.

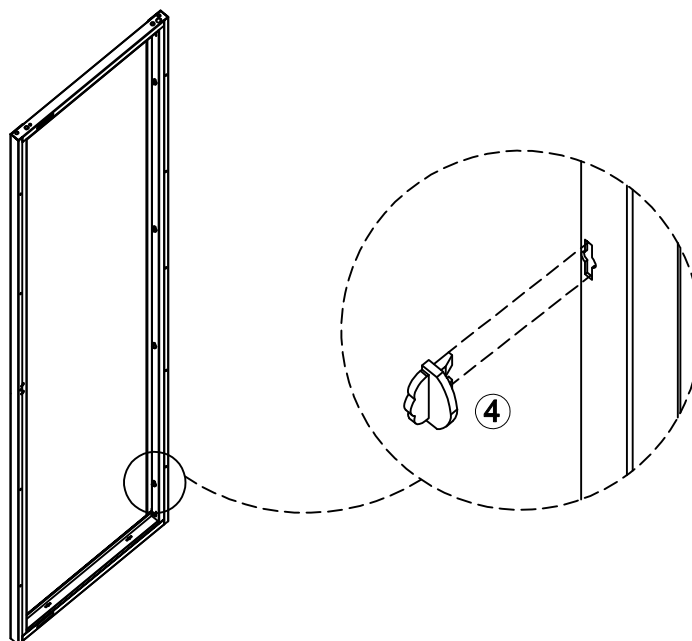
Make sure to use the hole which is nearest to side panel for inserting pin(2) otherwise will affect door assembling.

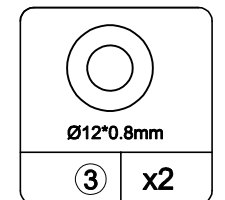
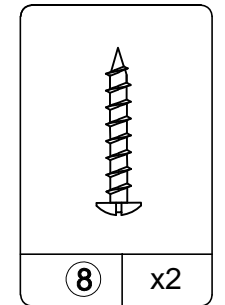
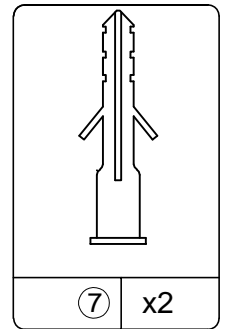
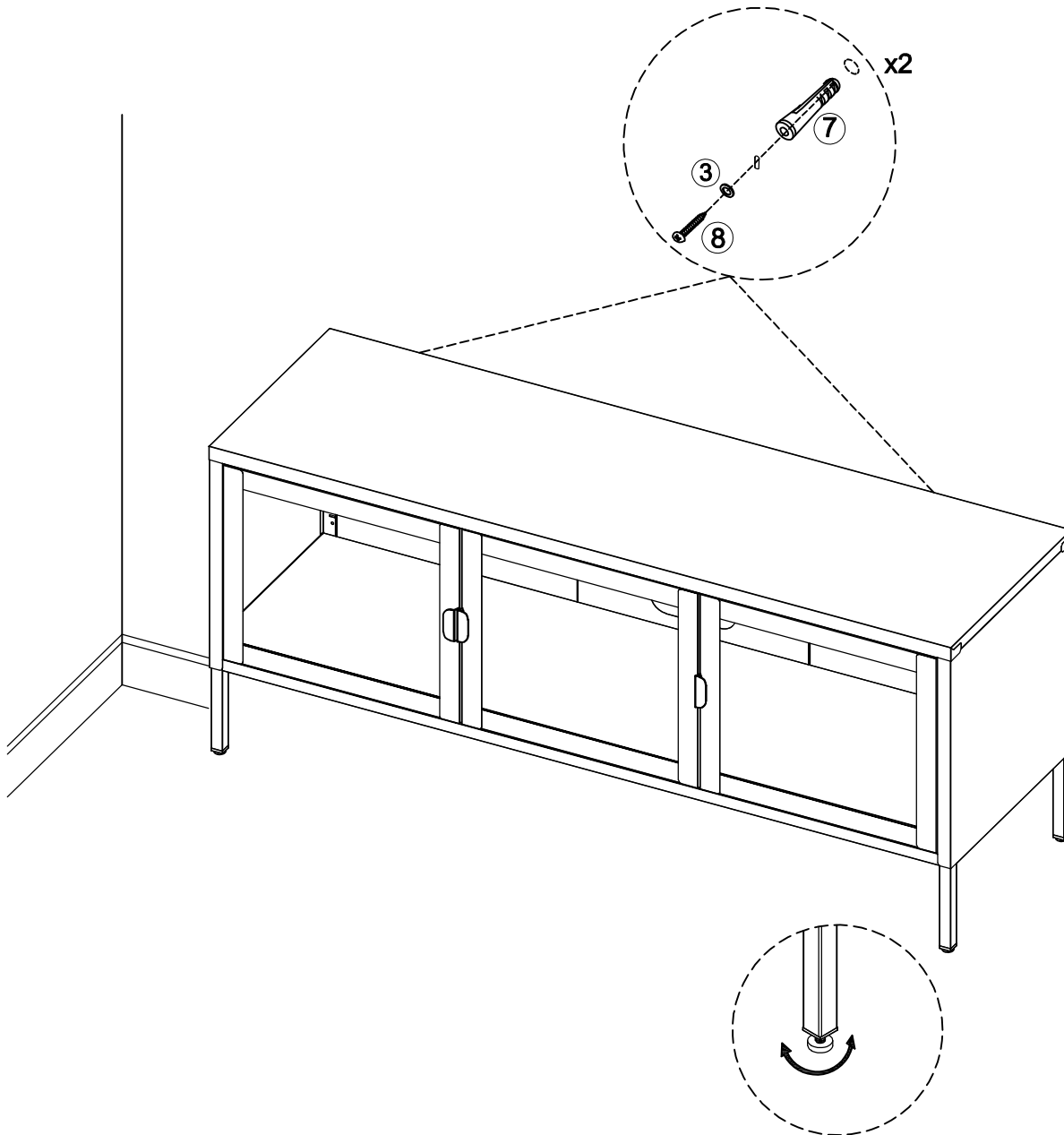


(8) - Attach (6) to (C) as below shown.



spare parts of glass buckle



**(9)**

Gaps may appear between the top of the doors and the frame if the item is not on level ground; use the plastic foot cover to level.