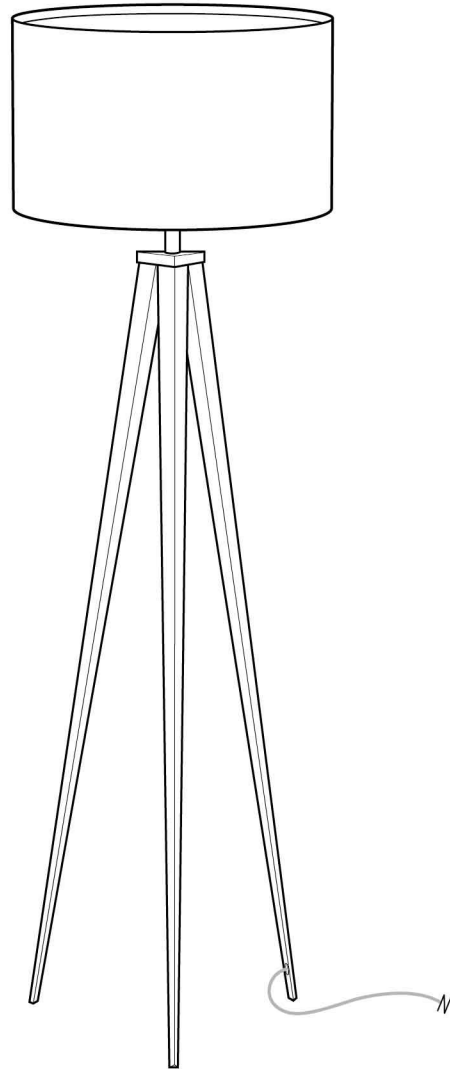


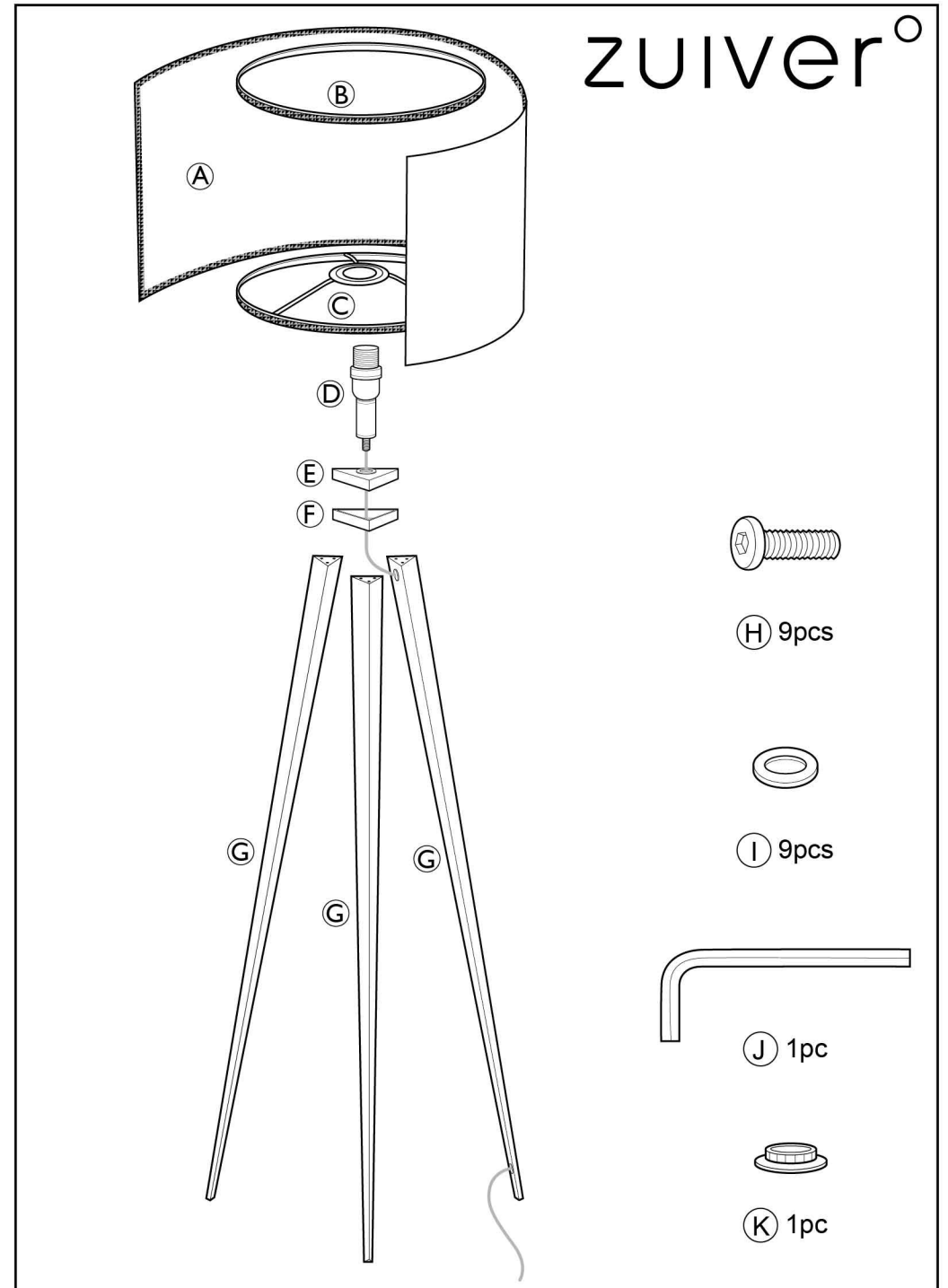
ASSEMBLY INSTRUCTIONS

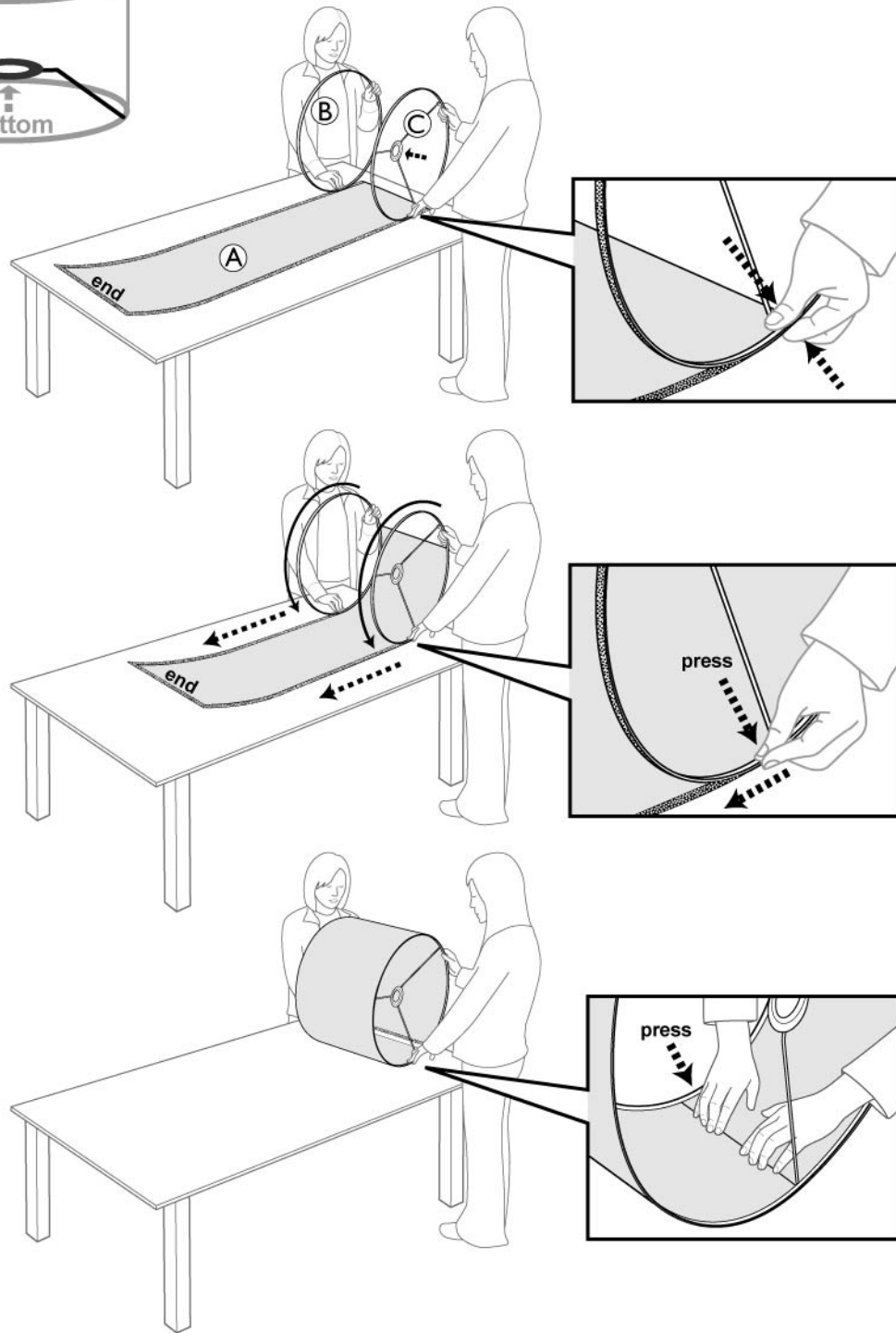
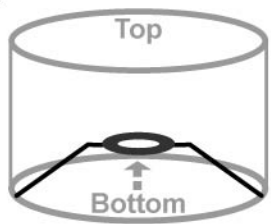
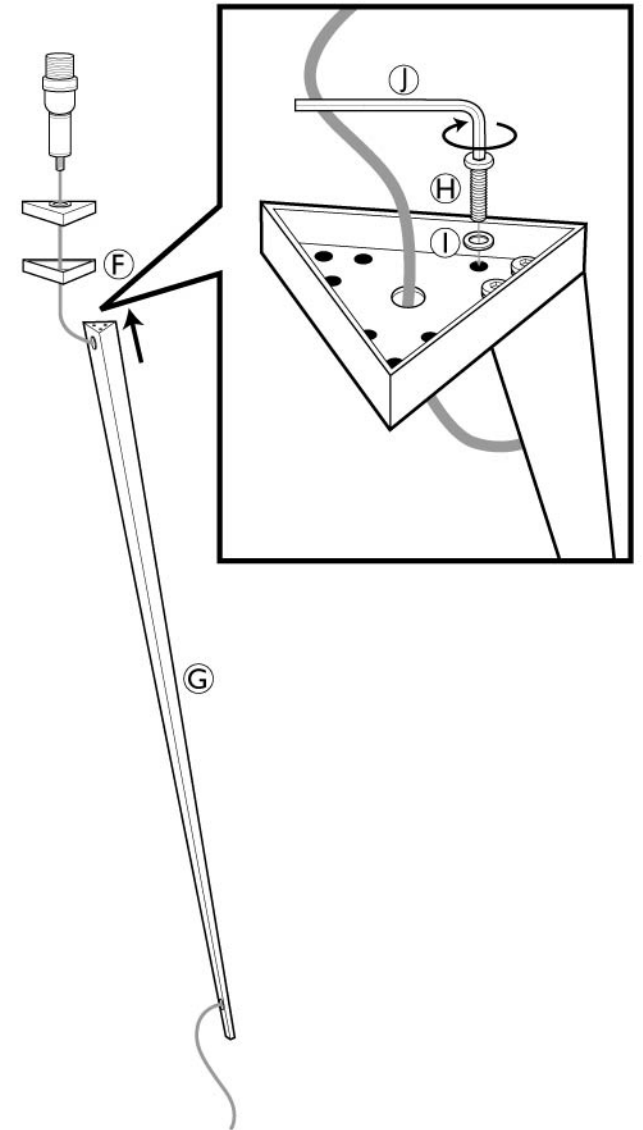
5000800, 5000801, 5000802, 5000805, 5000806
5100049, 5100050 TRIPOD



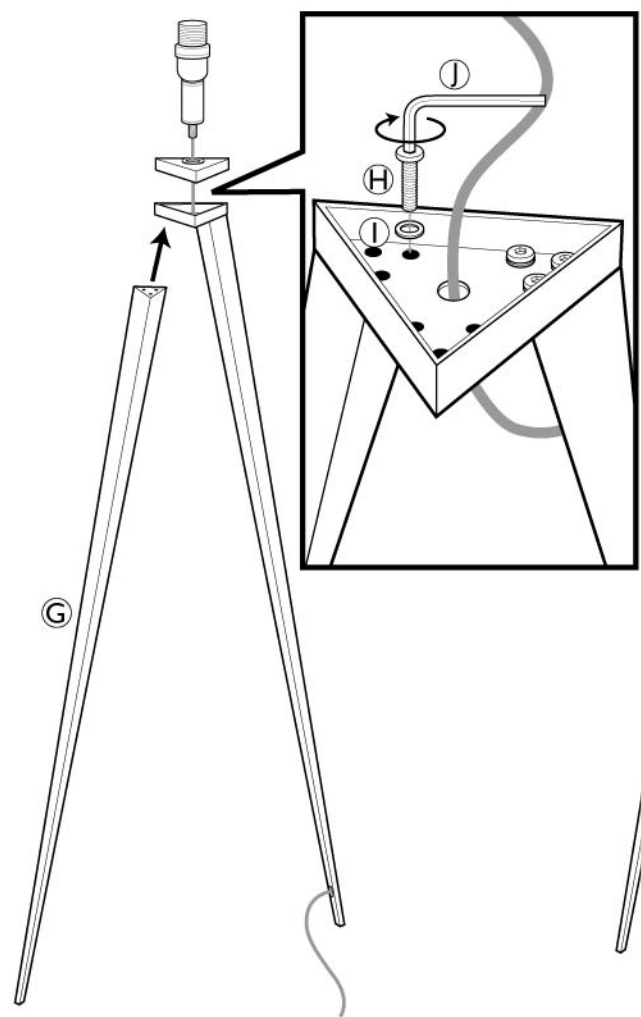
LAMPSHADE patent
USA: US 8,292,476
China: ZL200820000799.4
EU: 08014421.5-2423
Japan: 3145825
Taiwan: M350672

Caution : If the external flexible cable or cord of this luminaire is damaged, it should be replaced by a qualified person in order to avoid a hazard.

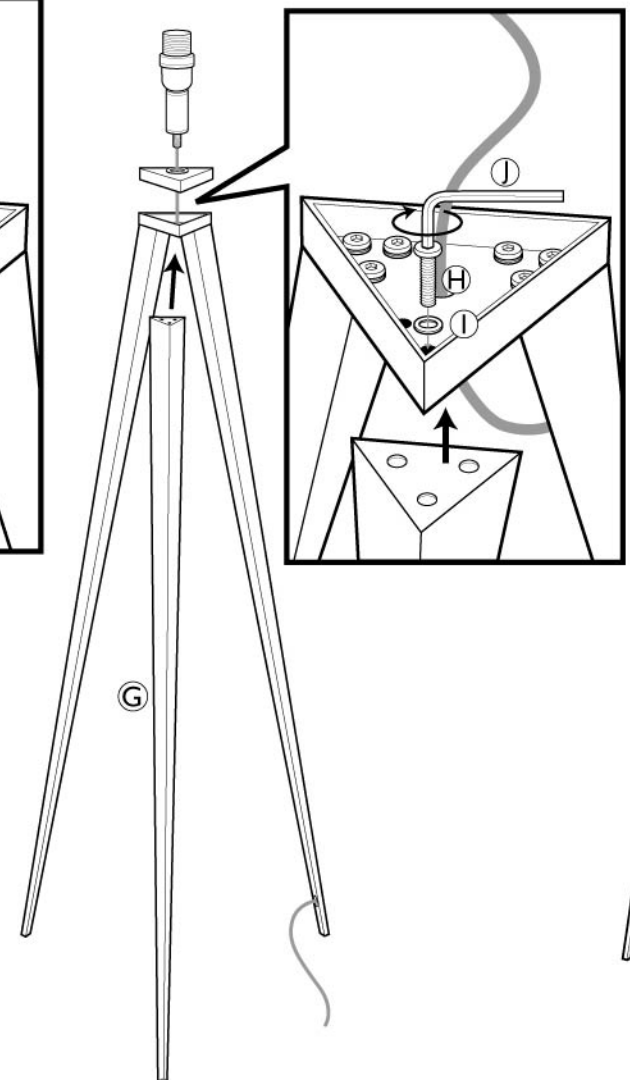


1**2**

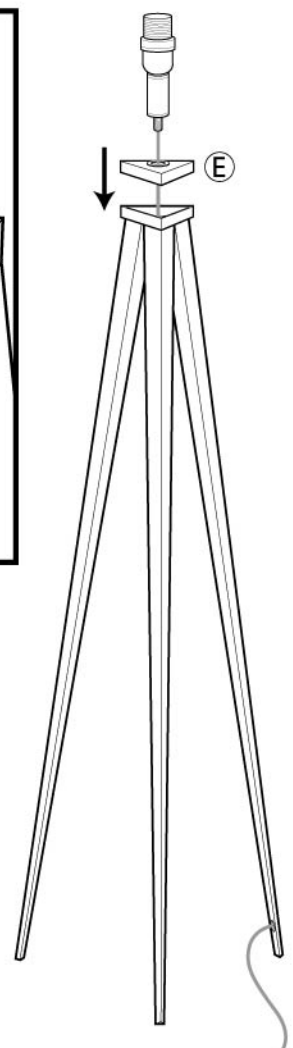
3



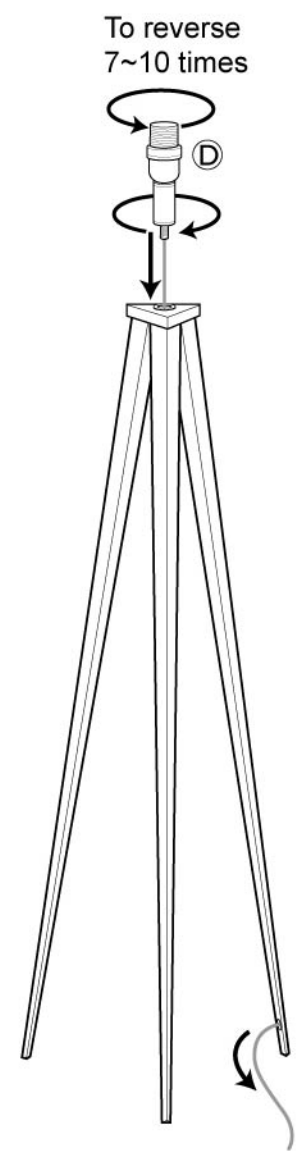
4



5



6



To reverse
7~10 times

7

