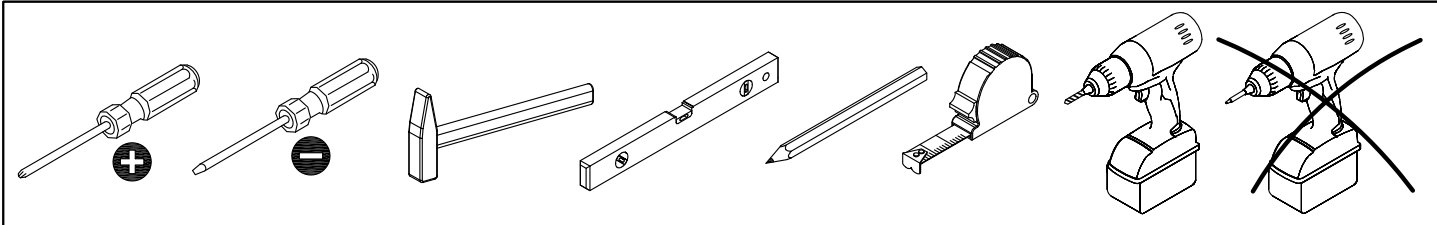
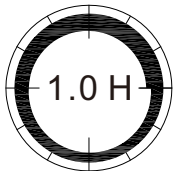
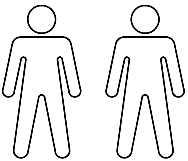
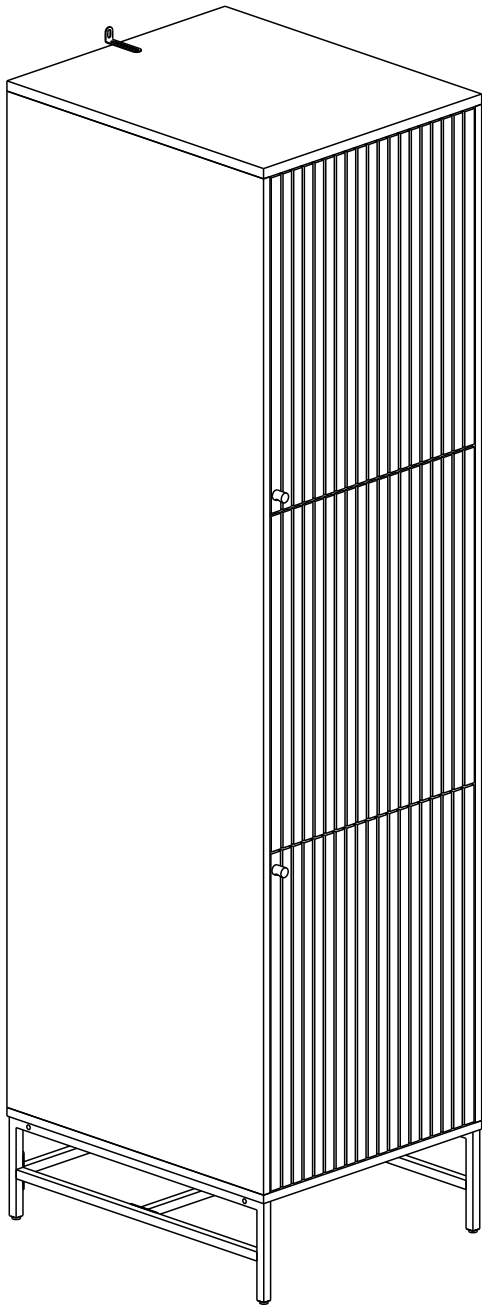
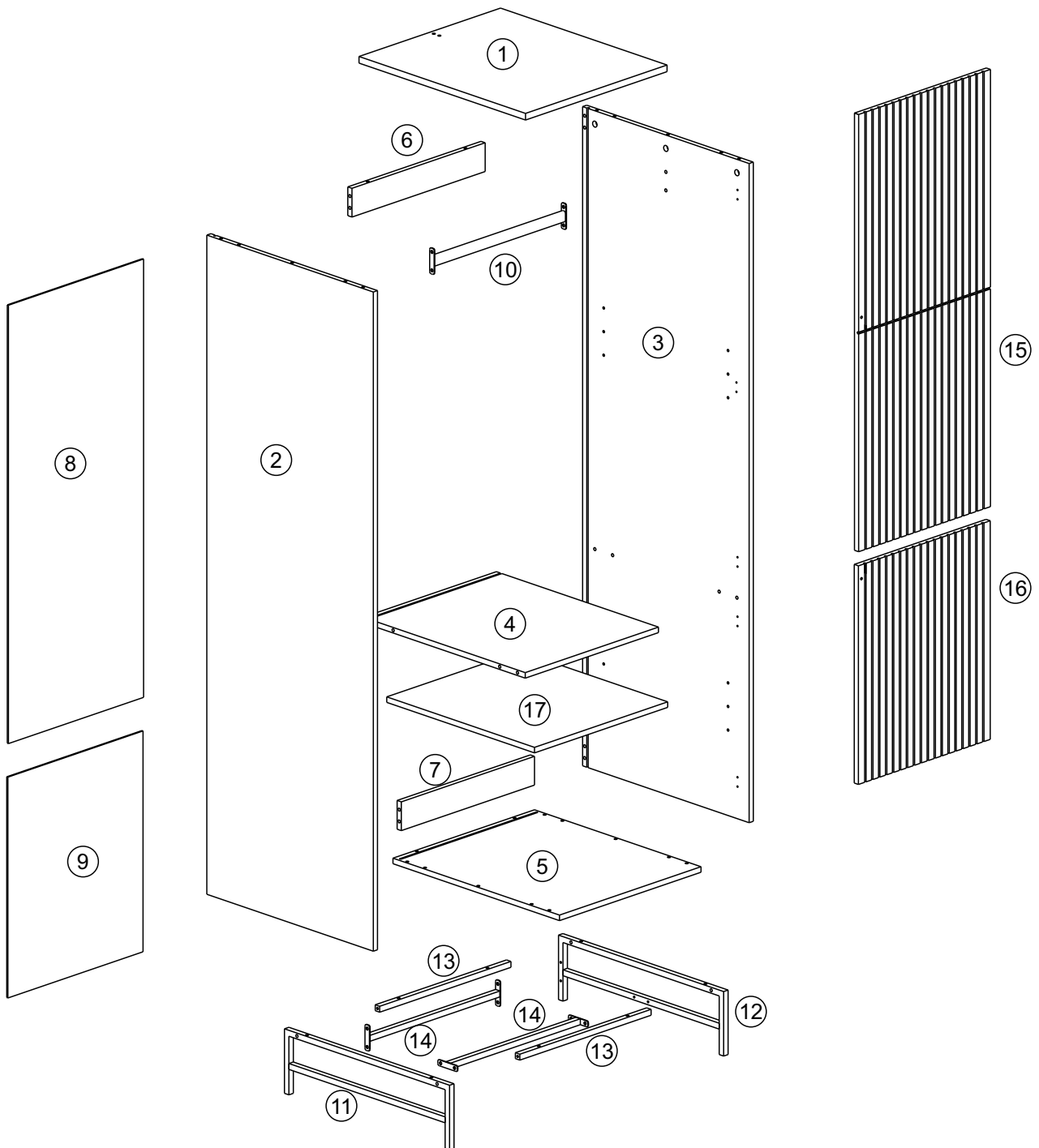


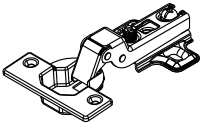
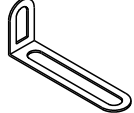
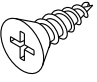
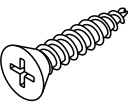
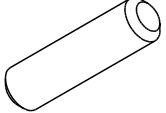
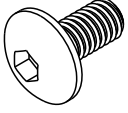
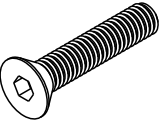
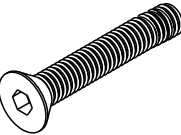

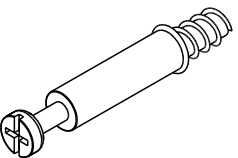
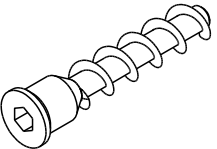
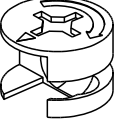
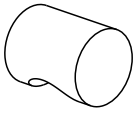
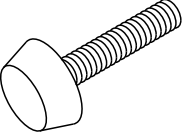
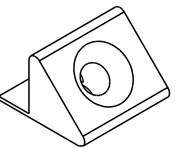
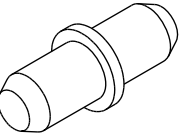
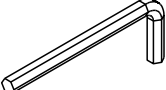
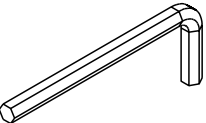

ALBANY



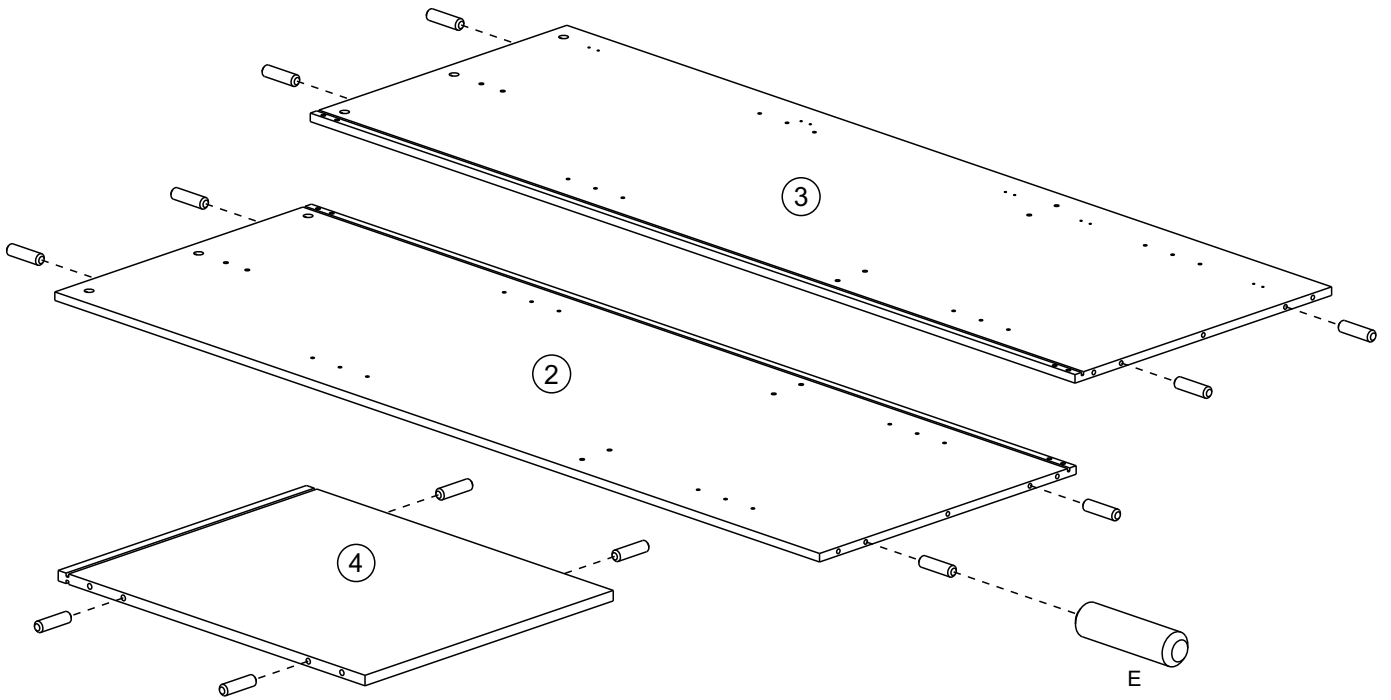
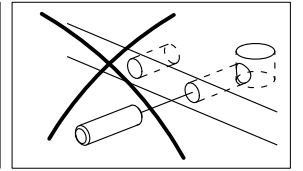
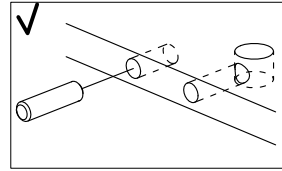
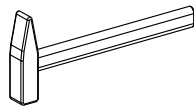
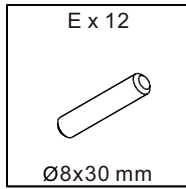
			✓
①	1	600x512x15mm	
②	1	1788x600x15mm	
③	1	1788x600x15mm	
④	1	582x481x15mm	
⑤	1	600x512x15mm	
⑥	1	481x78x15mm	
⑦	1	481x78x15mm	
⑧	1	1191x491x4mm	
⑨	1	599x491x4mm	

			✓
⑩	1	481x70x15mm	
⑪	1	595x175x16mm	
⑫	1	595x175x16mm	
⑬	2	473x16x16mm	
⑭	2	473x70x16mm	
⑮	1	1186x475x16mm	
⑯	1	593x475x16mm	
⑰	1	555x479x15mm	

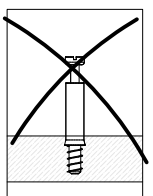
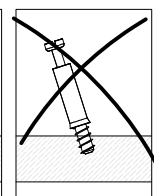
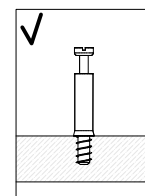
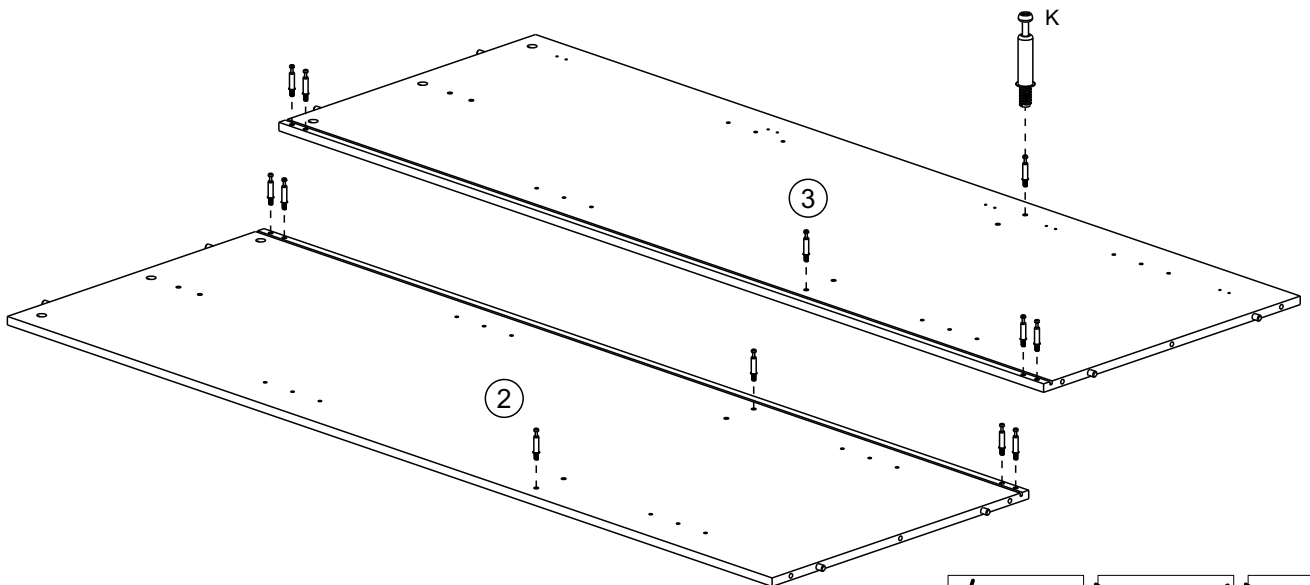
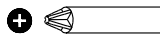
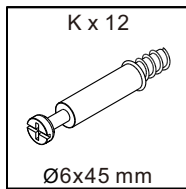


<p>A x 5</p>  <p>Ø35/FK17 mm</p>	<p>B x 1</p>  <p>75x25x15 mm</p>	<p>C x 20</p>  <p>Ø4x14 mm</p>	<p>D x 8</p>  <p>Ø3.5x20 mm</p>	<p>E x 12</p>  <p>Ø8x30 mm</p>
<p>F x 14</p>  <p>M6x12 mm</p>	<p>G x 8</p>  <p>M6x25 mm</p>	<p>H x 4</p>  <p>M6x40 mm</p>	<p>J x 2</p>  <p>M4x20 mm</p>	<p>K x 20</p>  <p>Ø6x45 mm</p>
<p>L x 8</p>  <p>Ø5x38 mm</p>	<p>M x 20</p>  <p>Ø15x12 mm</p>	<p>N x 2</p>  <p>Ø17x22 mm</p>	<p>P x 4</p>  <p>Ø13.5x25 mm</p>	<p>Q x 8</p>  <p>15x13x10 mm</p>
<p>R x 4</p>  <p>Ø5/Ø5 mm</p>	<p>S x 1</p>  <p>3 mm</p>	<p>T x 1</p>  <p>4 mm</p>	<p>U x 1</p>  <p>Ø10 mm</p>	

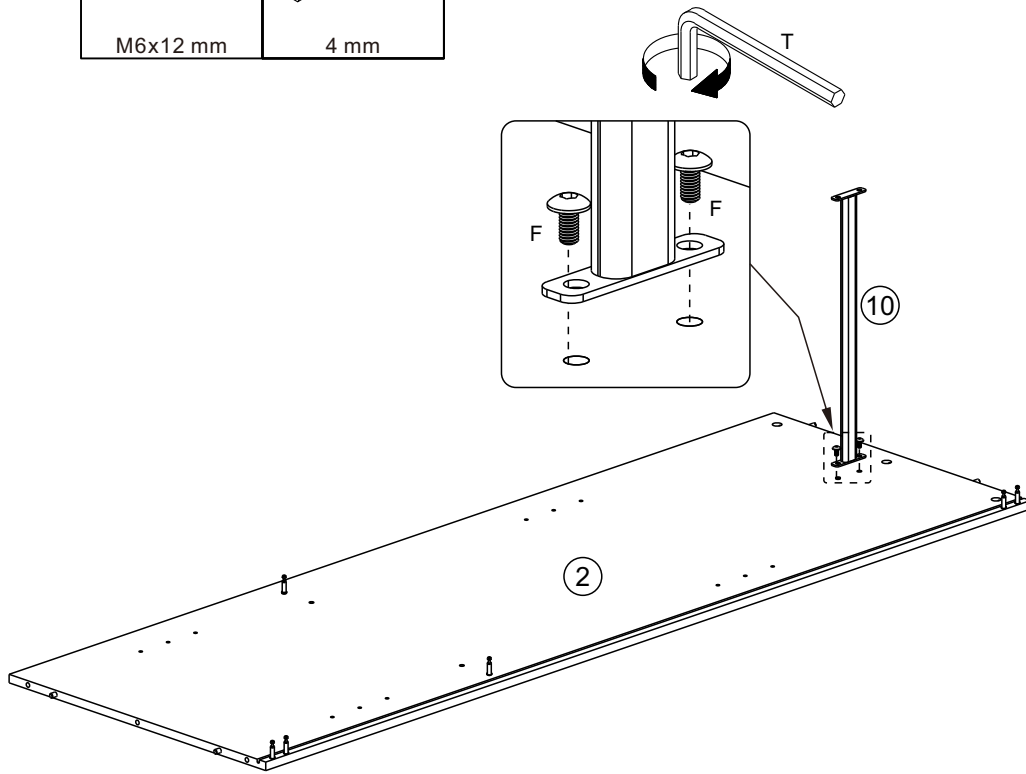
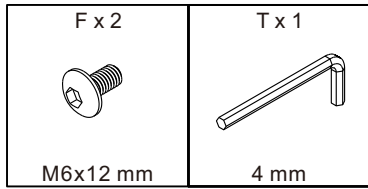
1



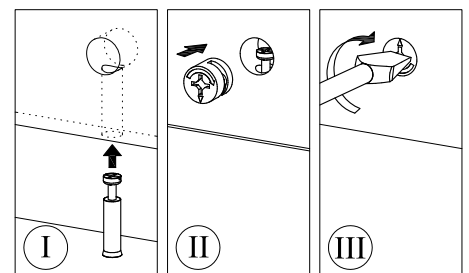
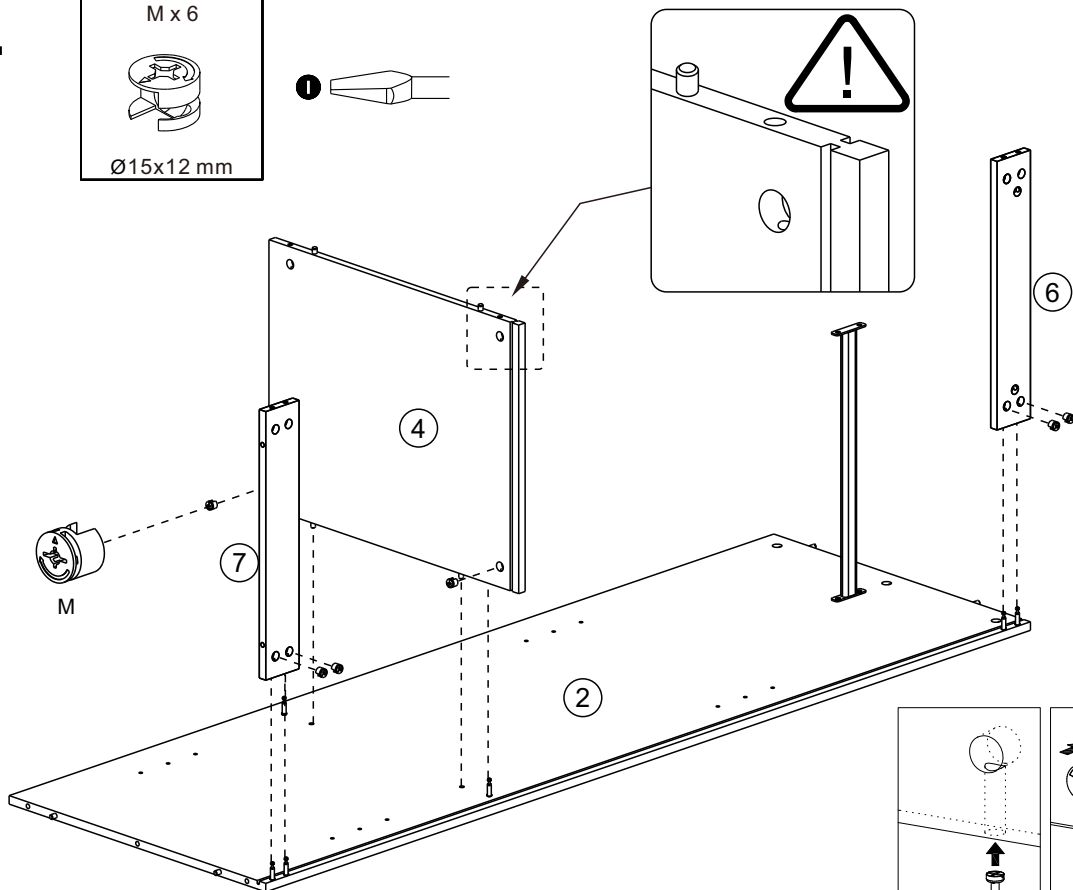
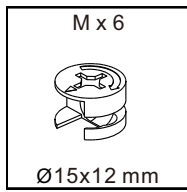
2



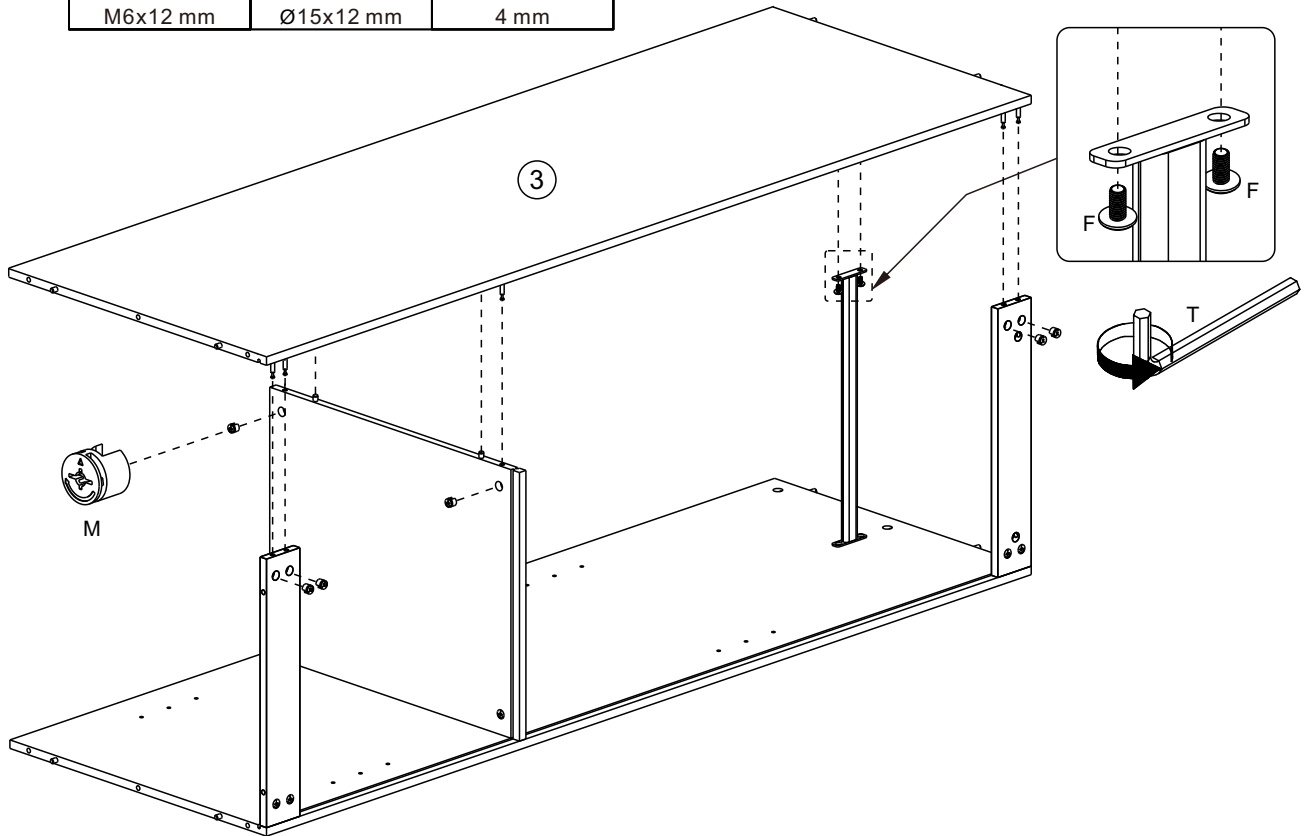
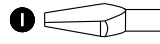
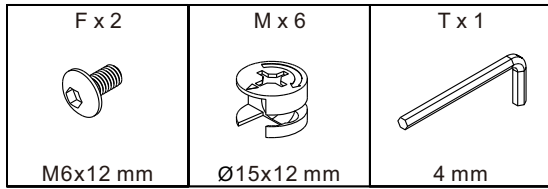
3



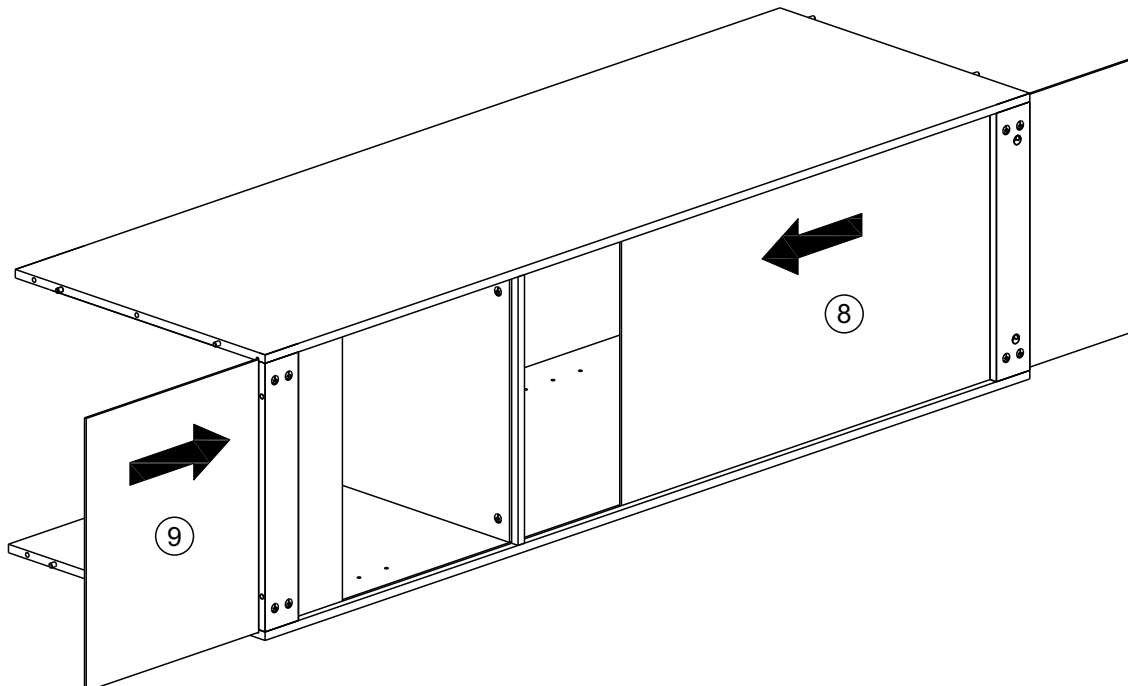
4



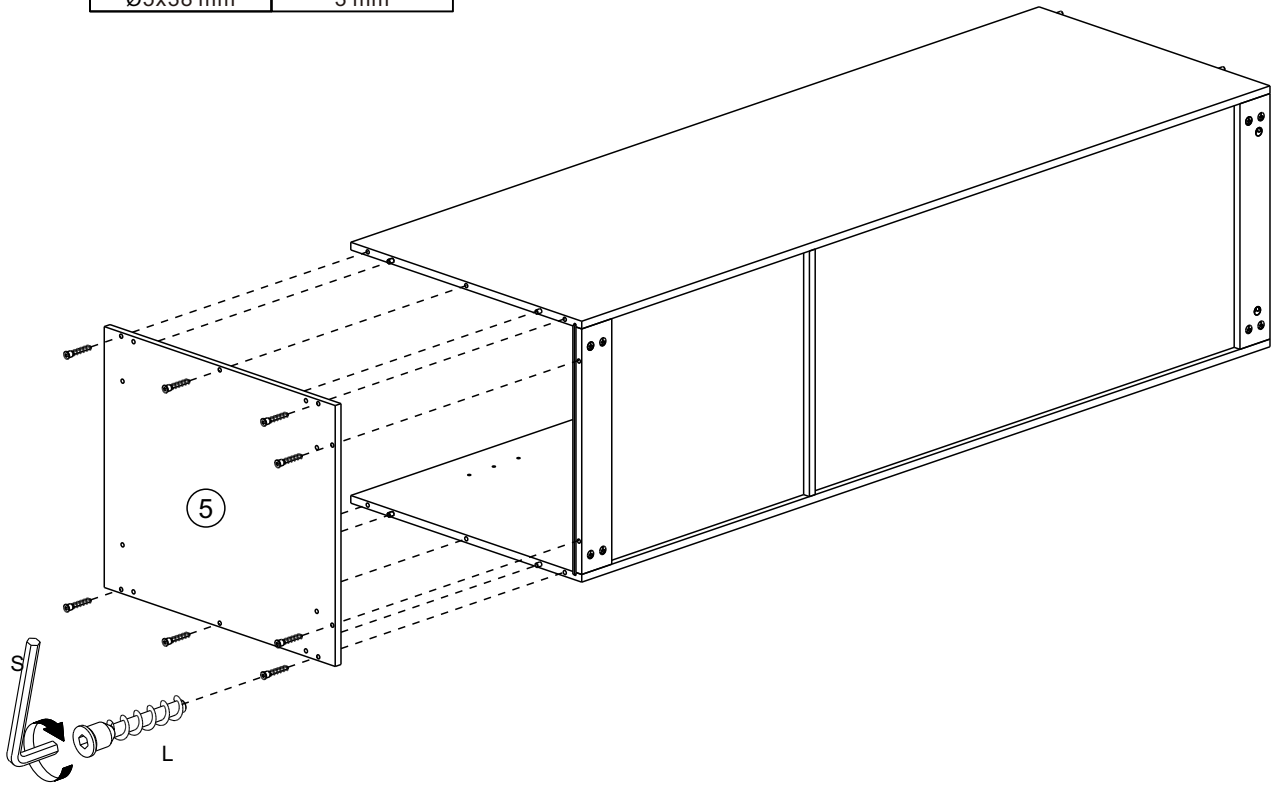
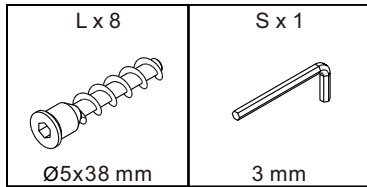
5



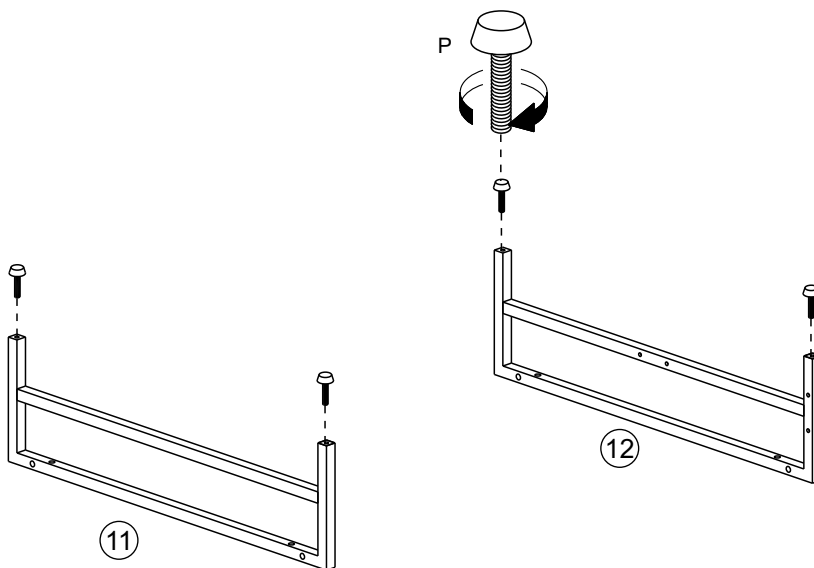
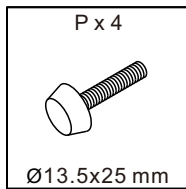
6




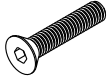
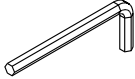
7

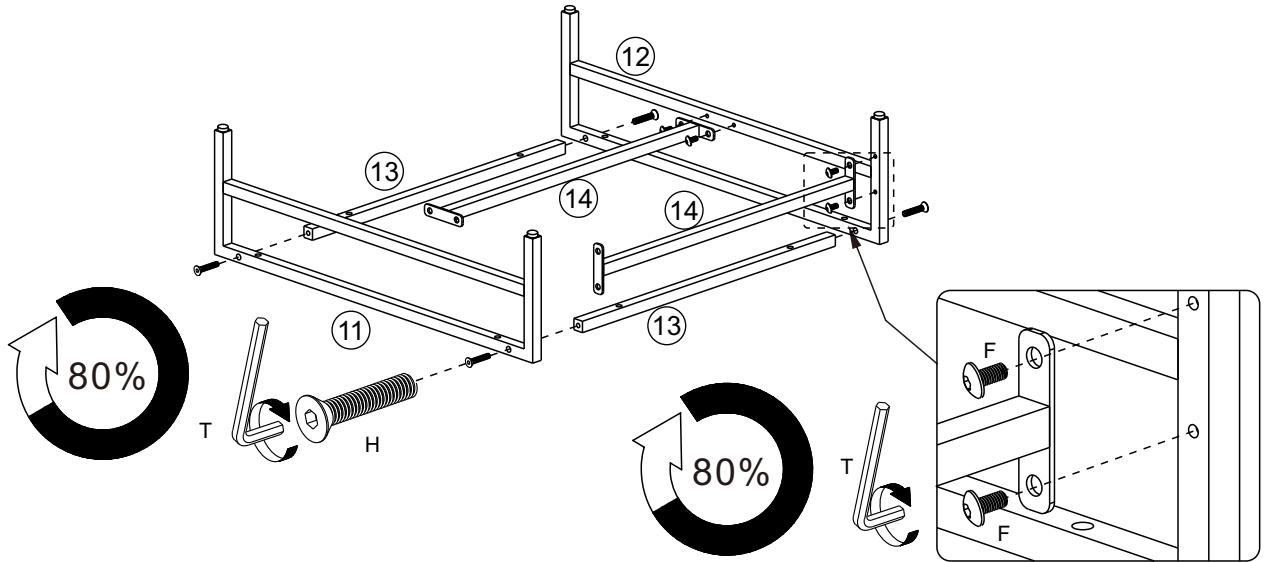


8

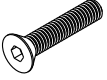
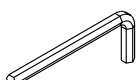


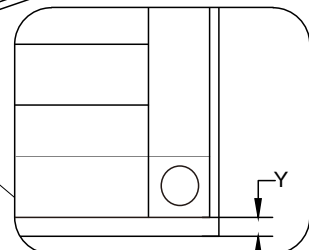
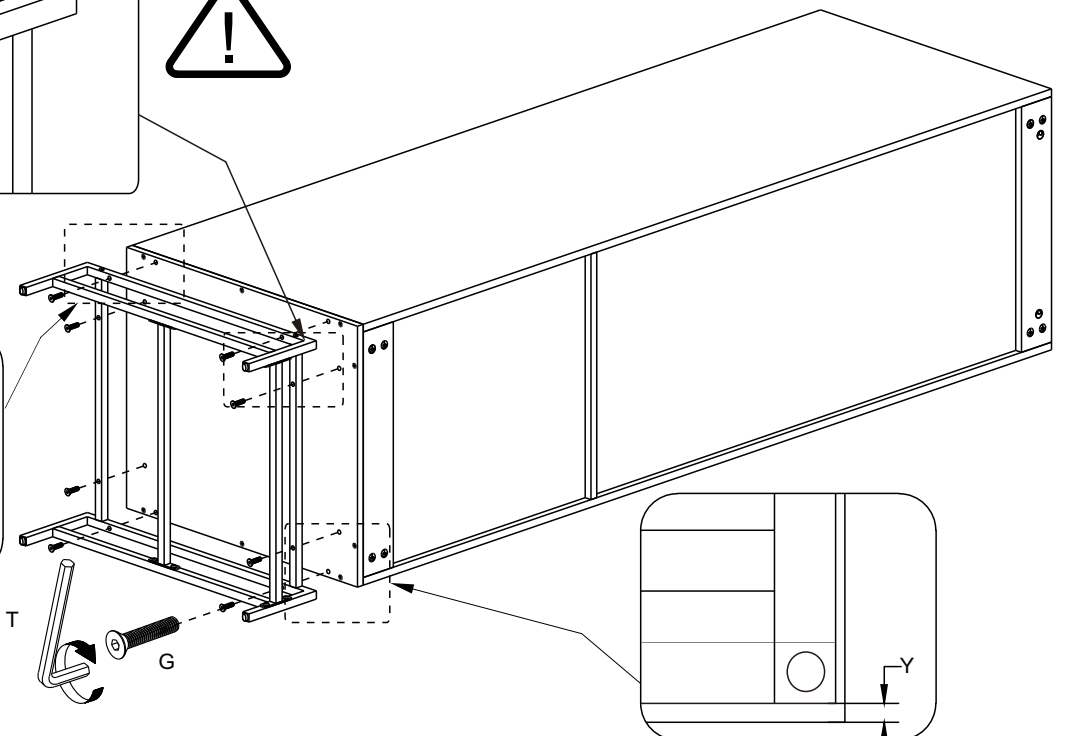
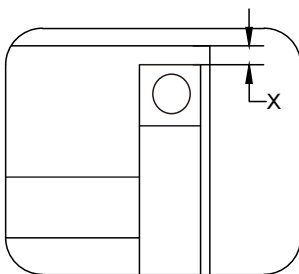
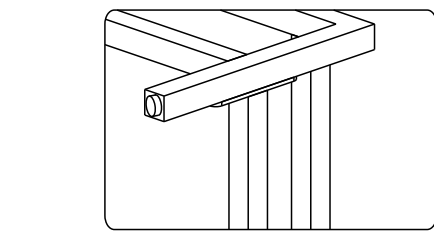
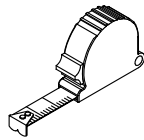
9

F x 8  M6x12 mm	H x 4  M6x40 mm	T x 1  4 mm
--------------------------------------------------------------------------------------------------------	--------------------------------------------------------------------------------------------------------	----------------------------------------------------------------------------------------------------



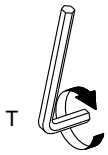
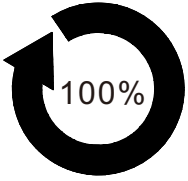
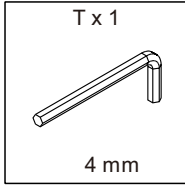
10

G x 8  M6x25 mm	T x 1  4 mm
----------------------------------------------------------------------------------------------------------	------------------------------------------------------------------------------------------------------

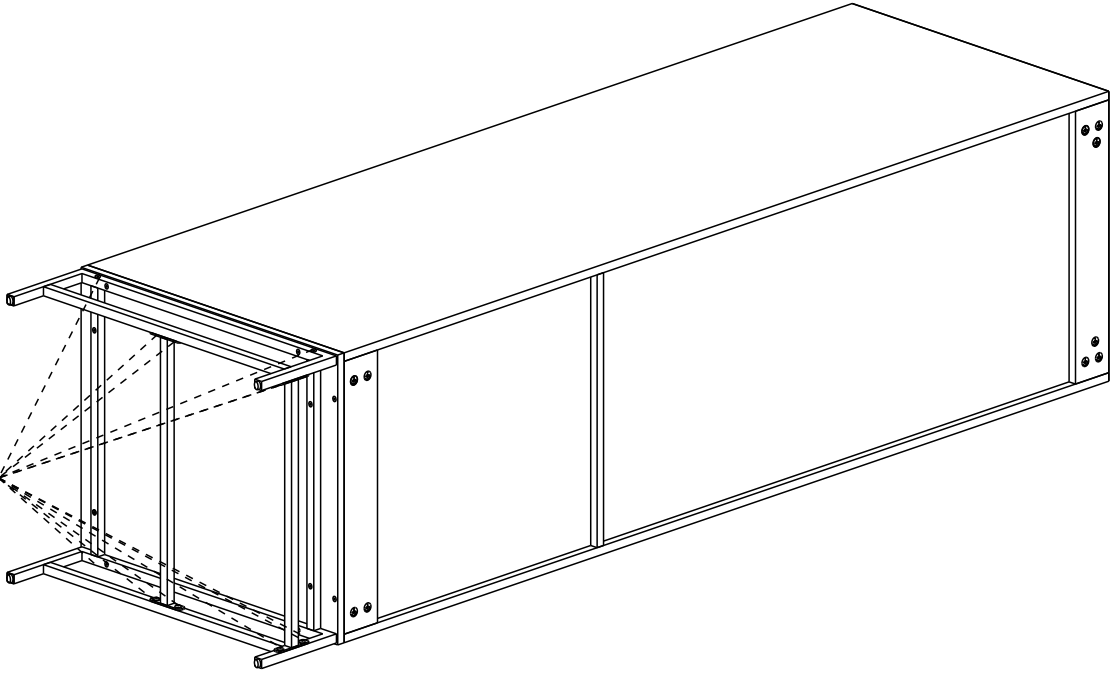


X=Y

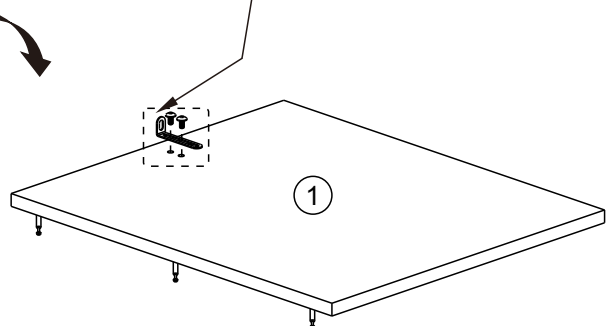
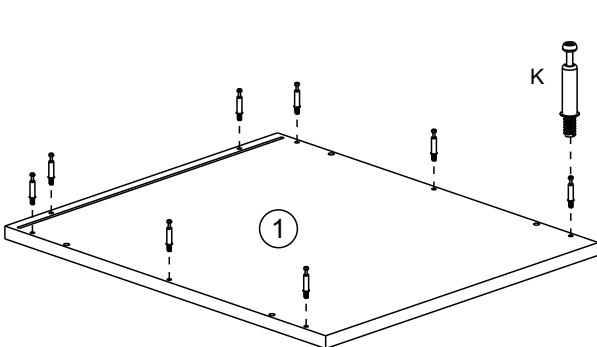
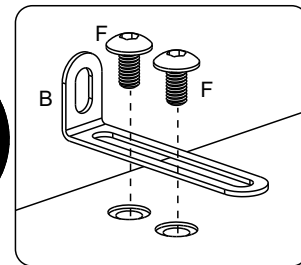
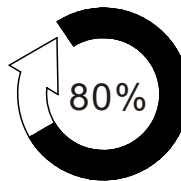
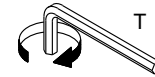
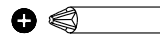
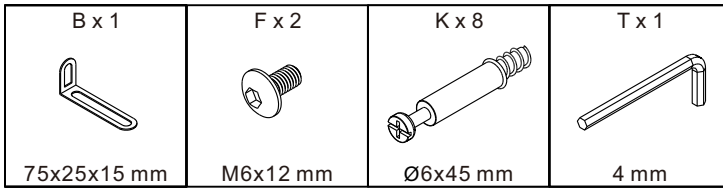
11



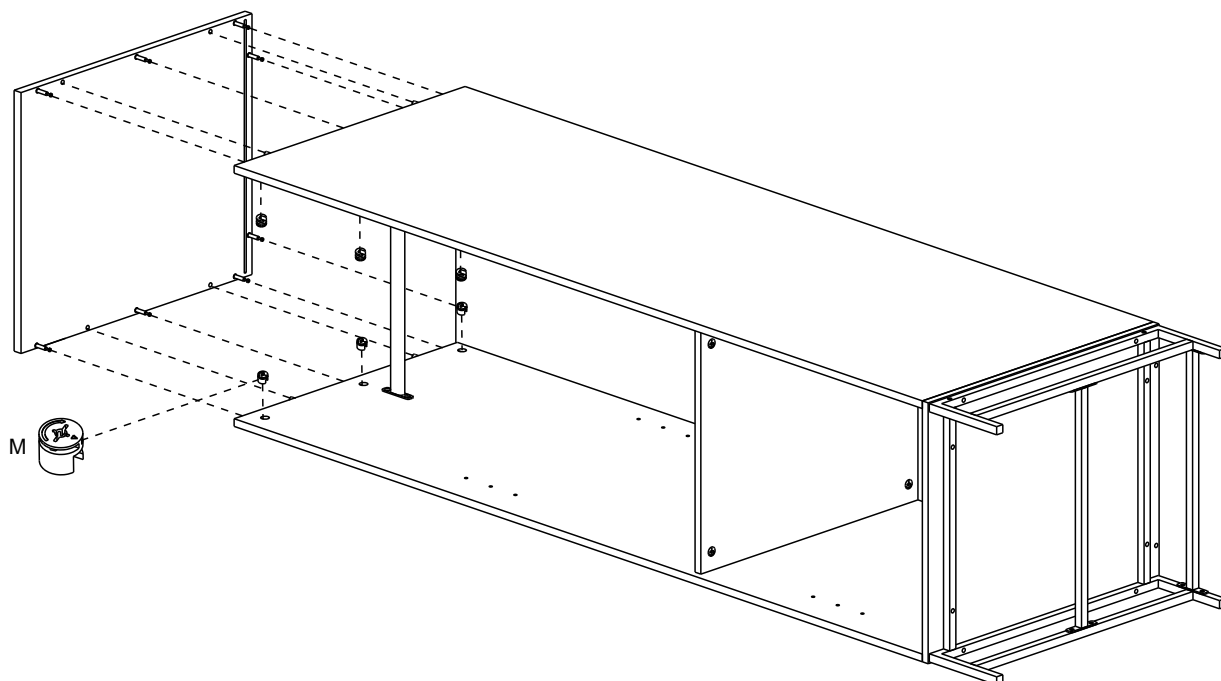
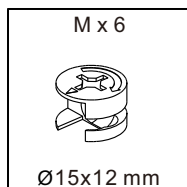
Fx8
Hx4



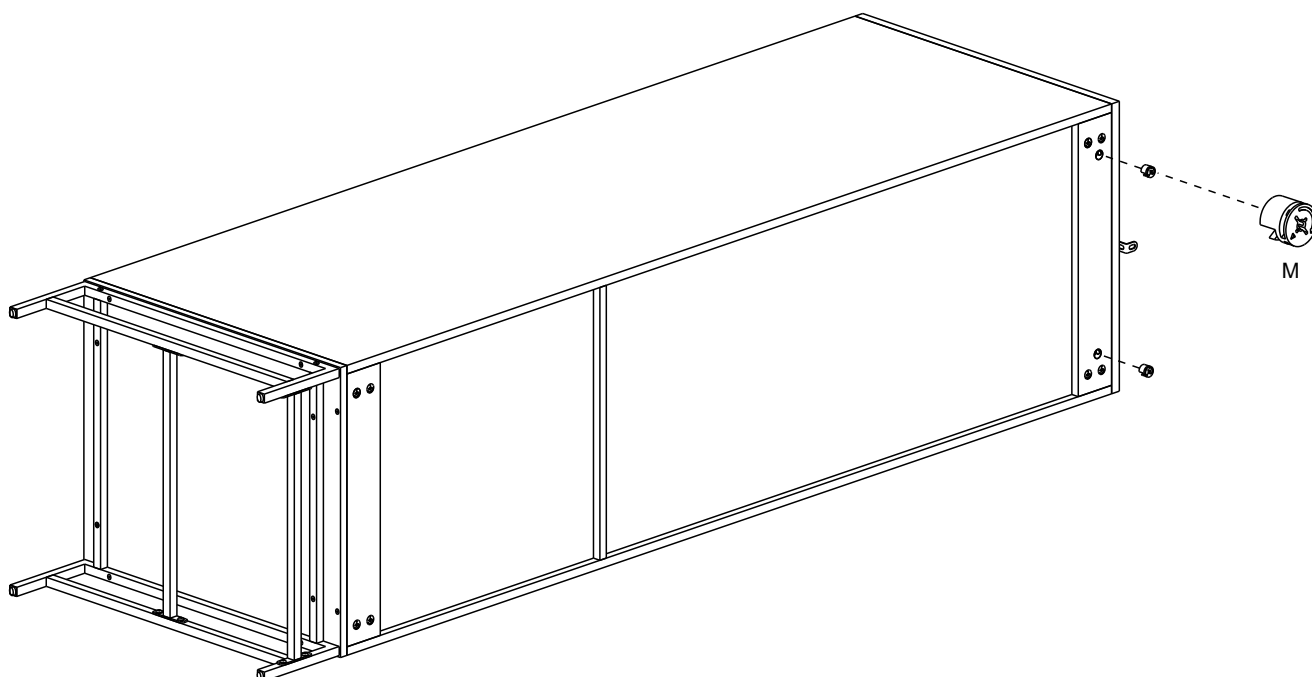
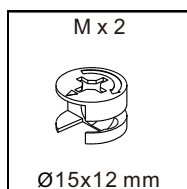
12



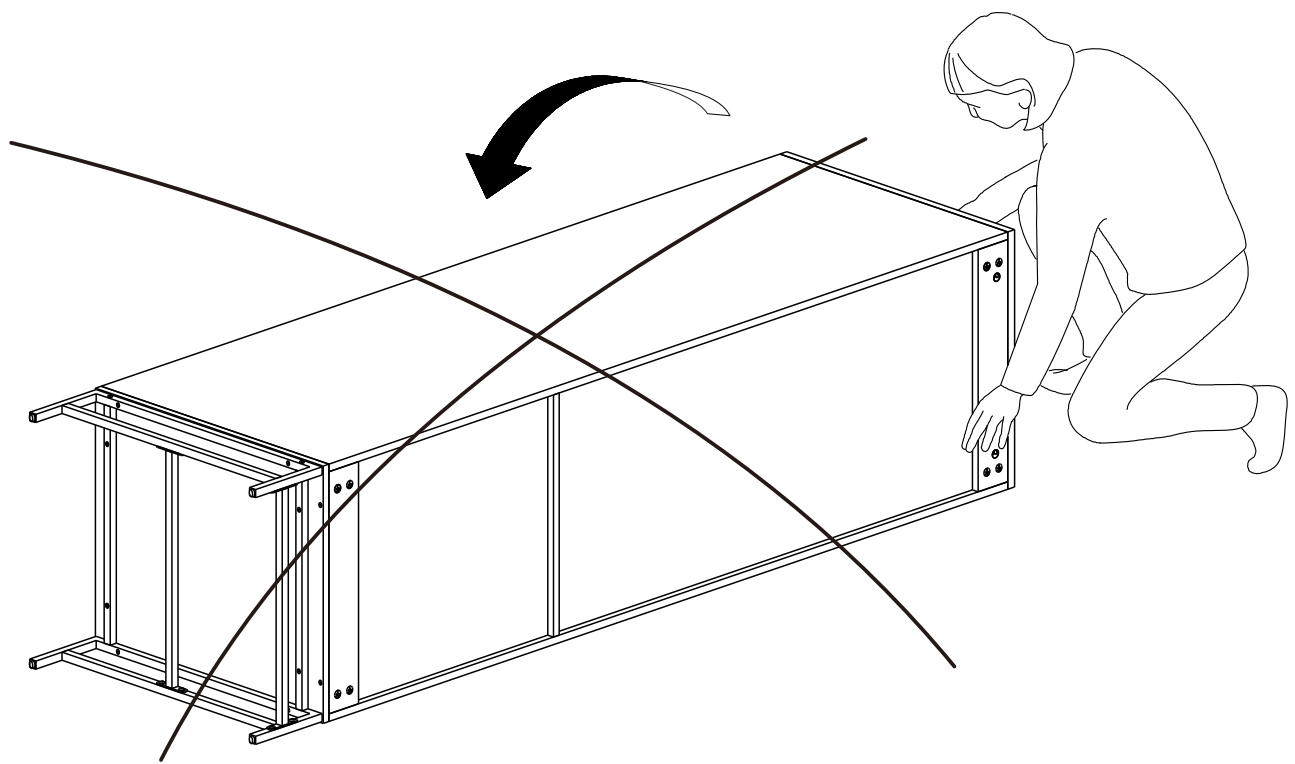
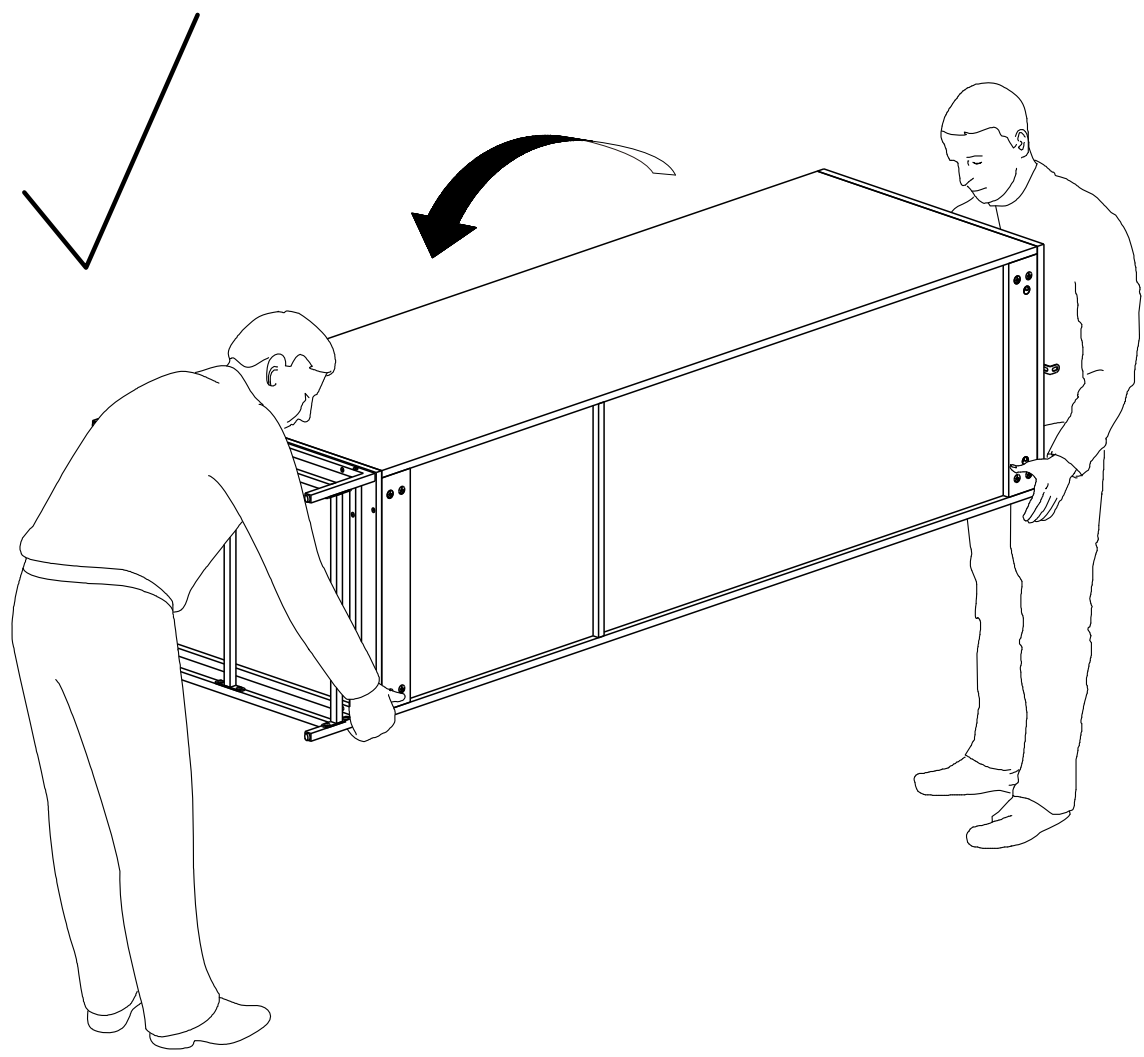
13



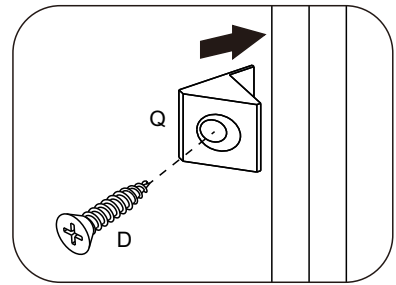
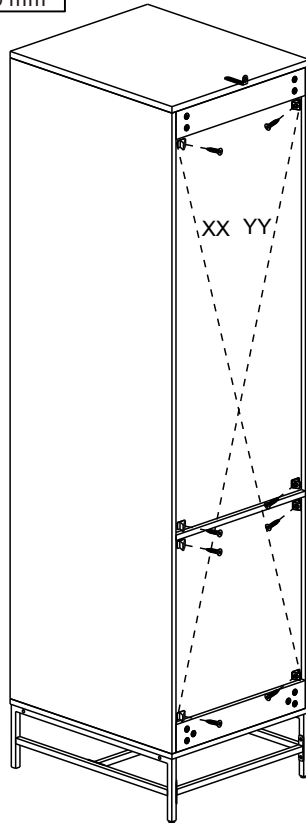
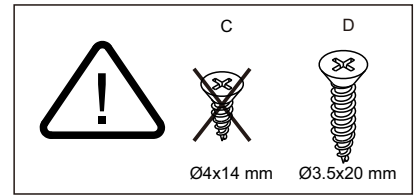
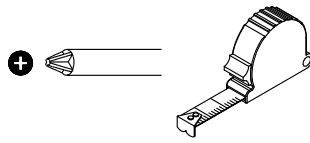
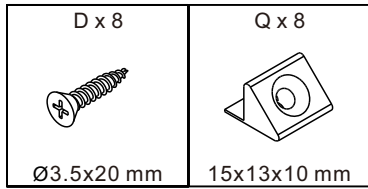
14



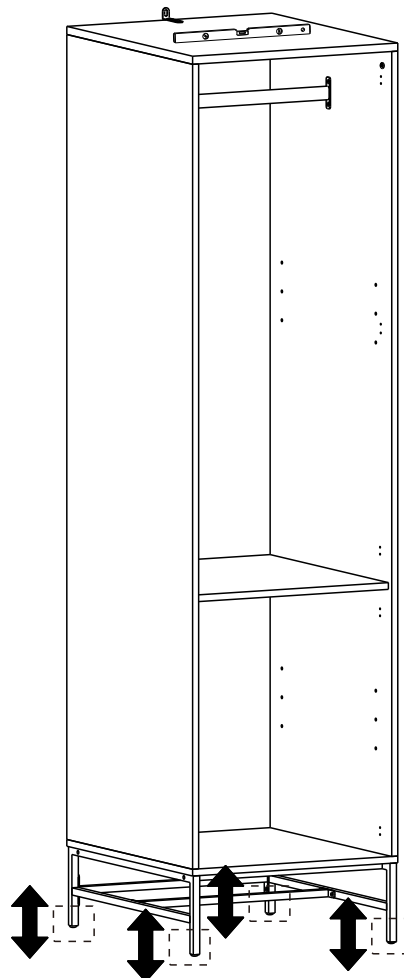
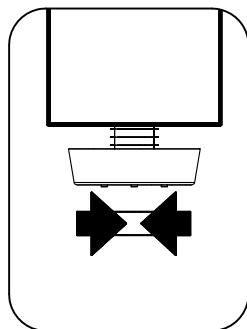
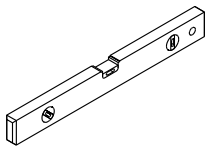
15



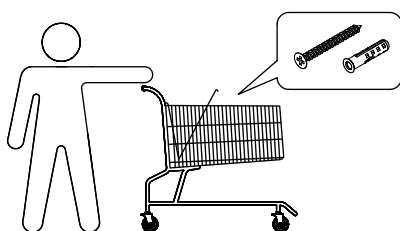
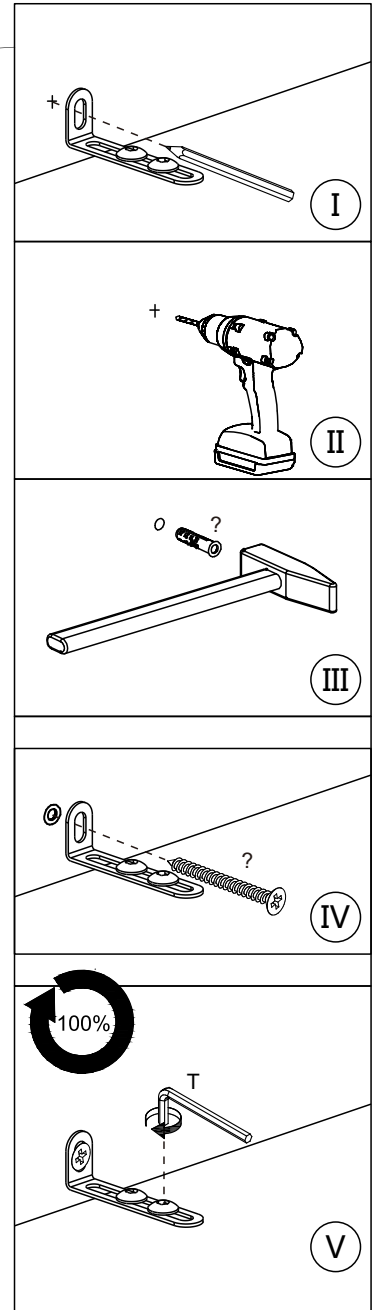
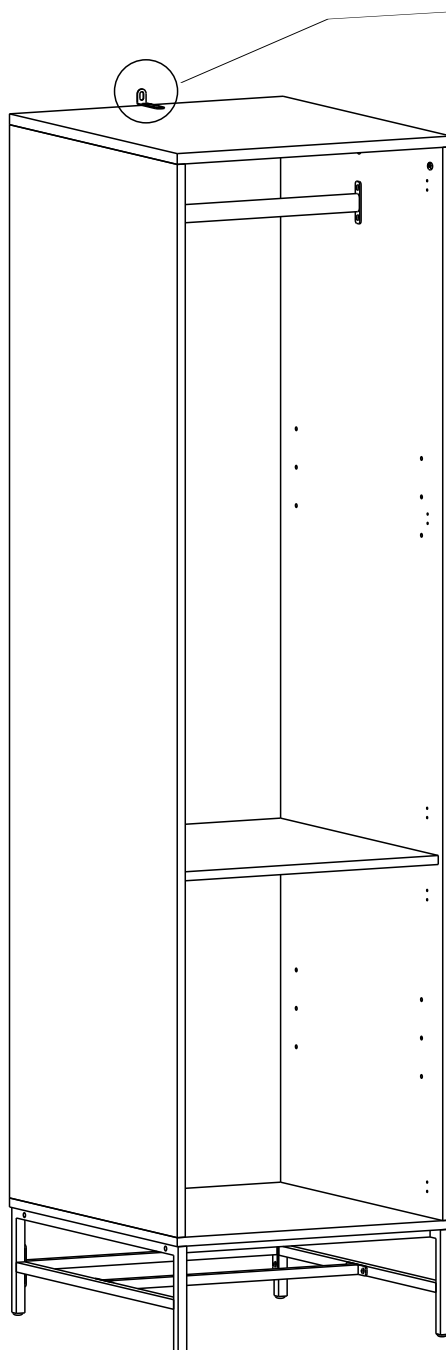
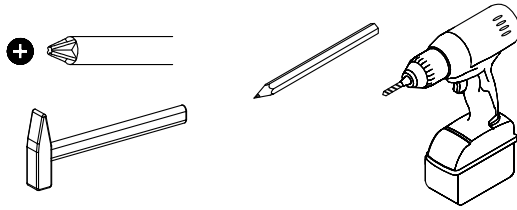
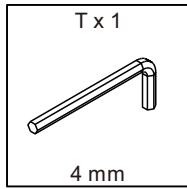
16



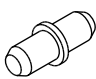

17

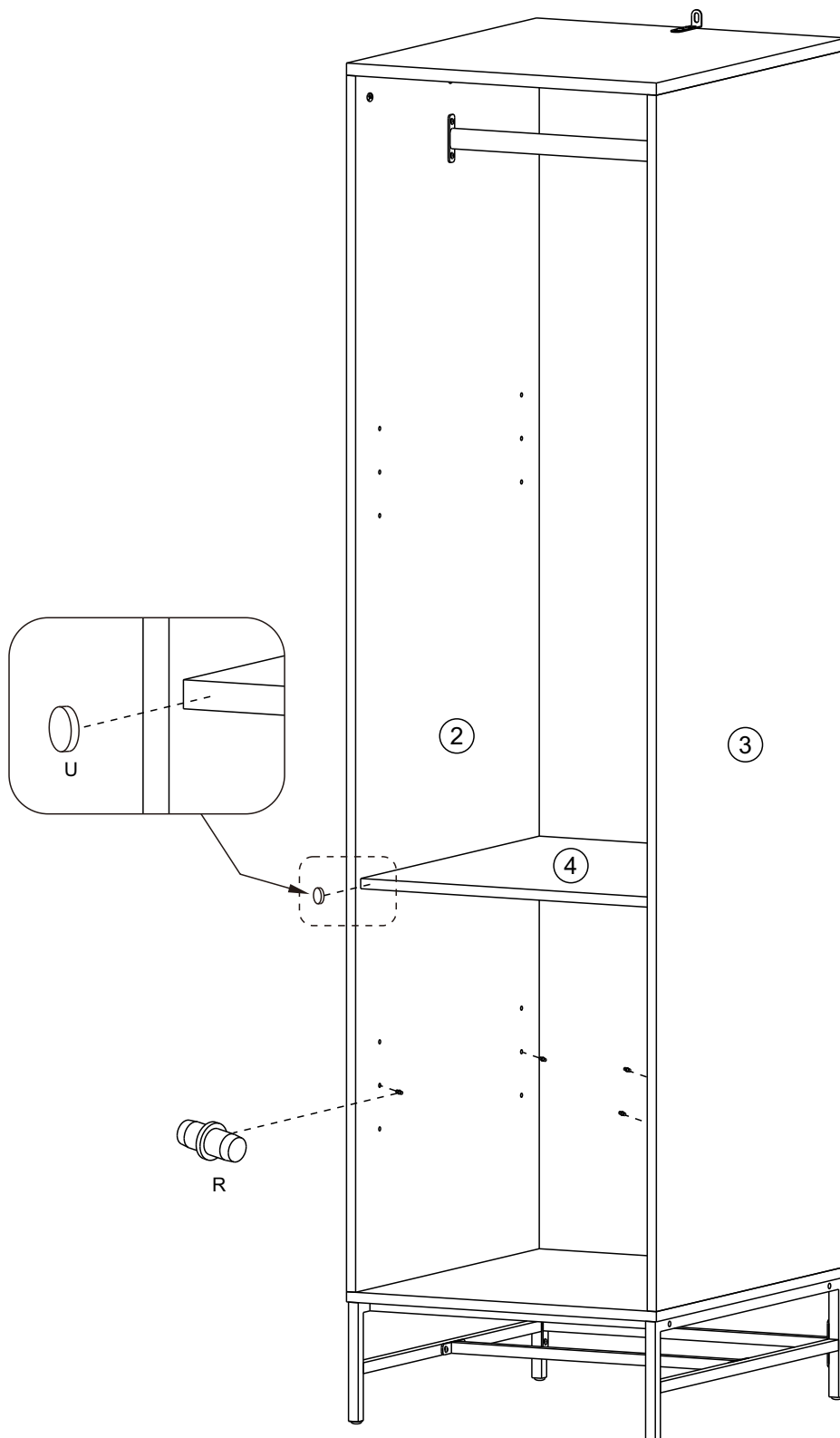


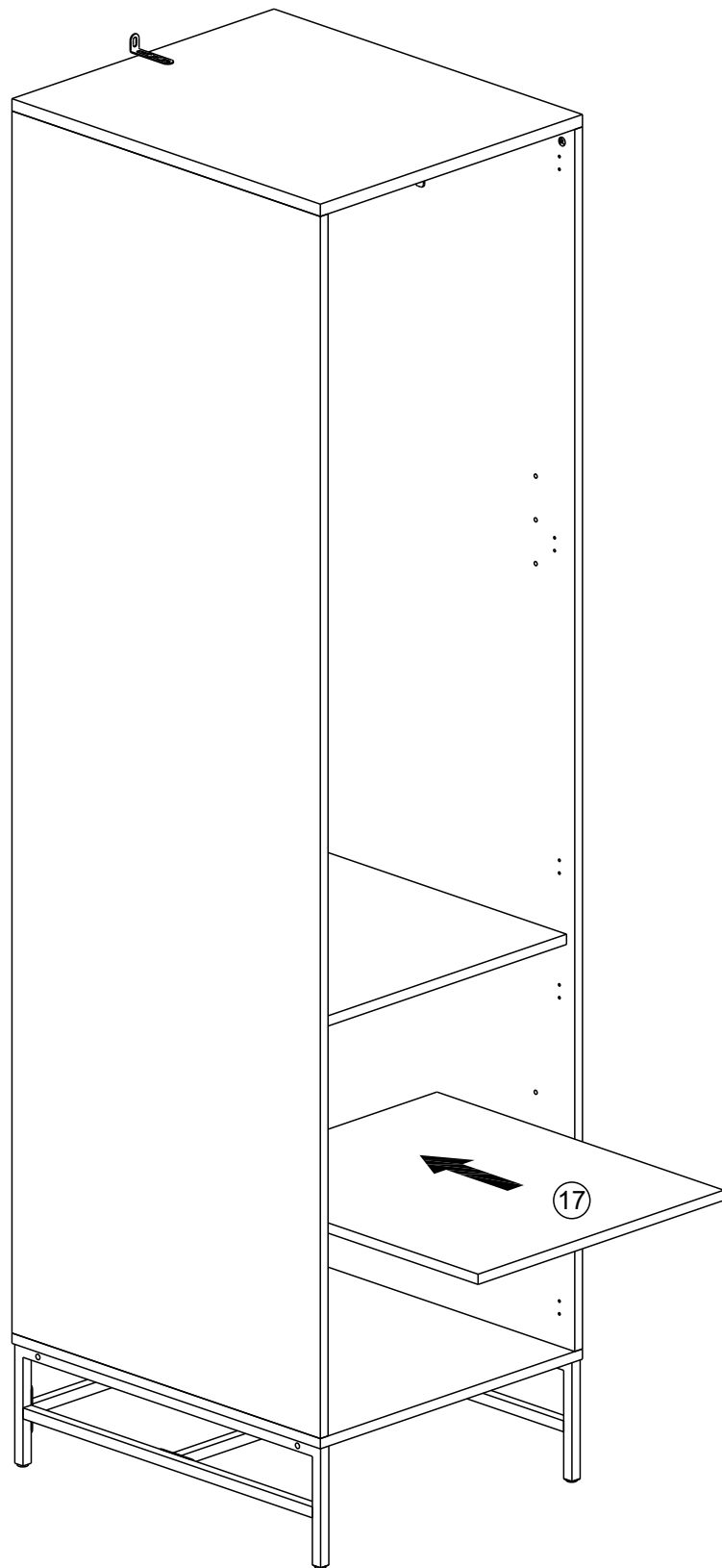
18



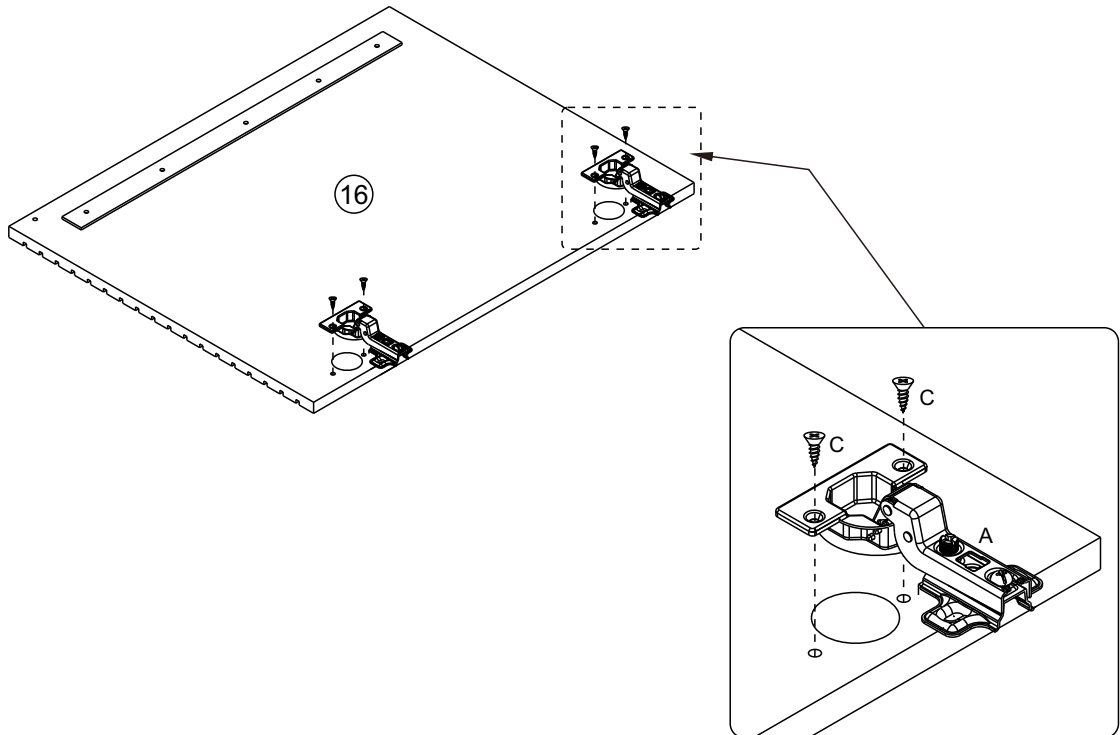
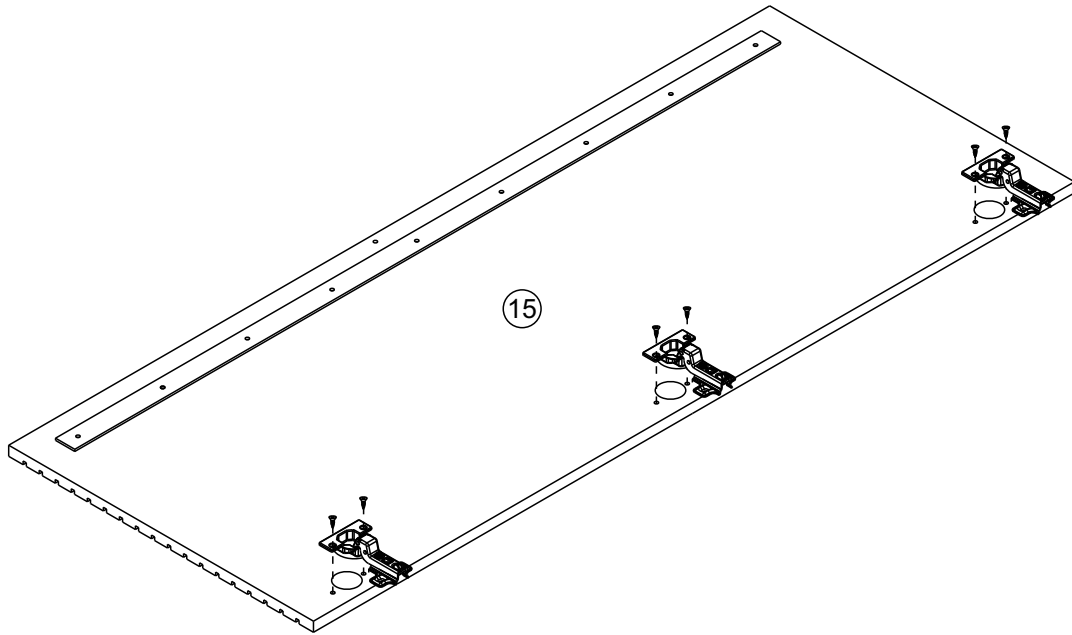
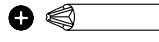
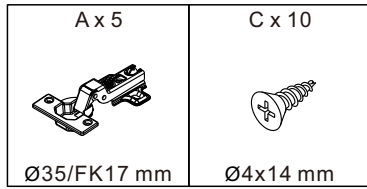
19

R x 4  Ø5/Ø5 mm	U x 1  Ø10 mm
--------------------------------------------------------------------------------------------------------	------------------------------------------------------------------------------------------------------

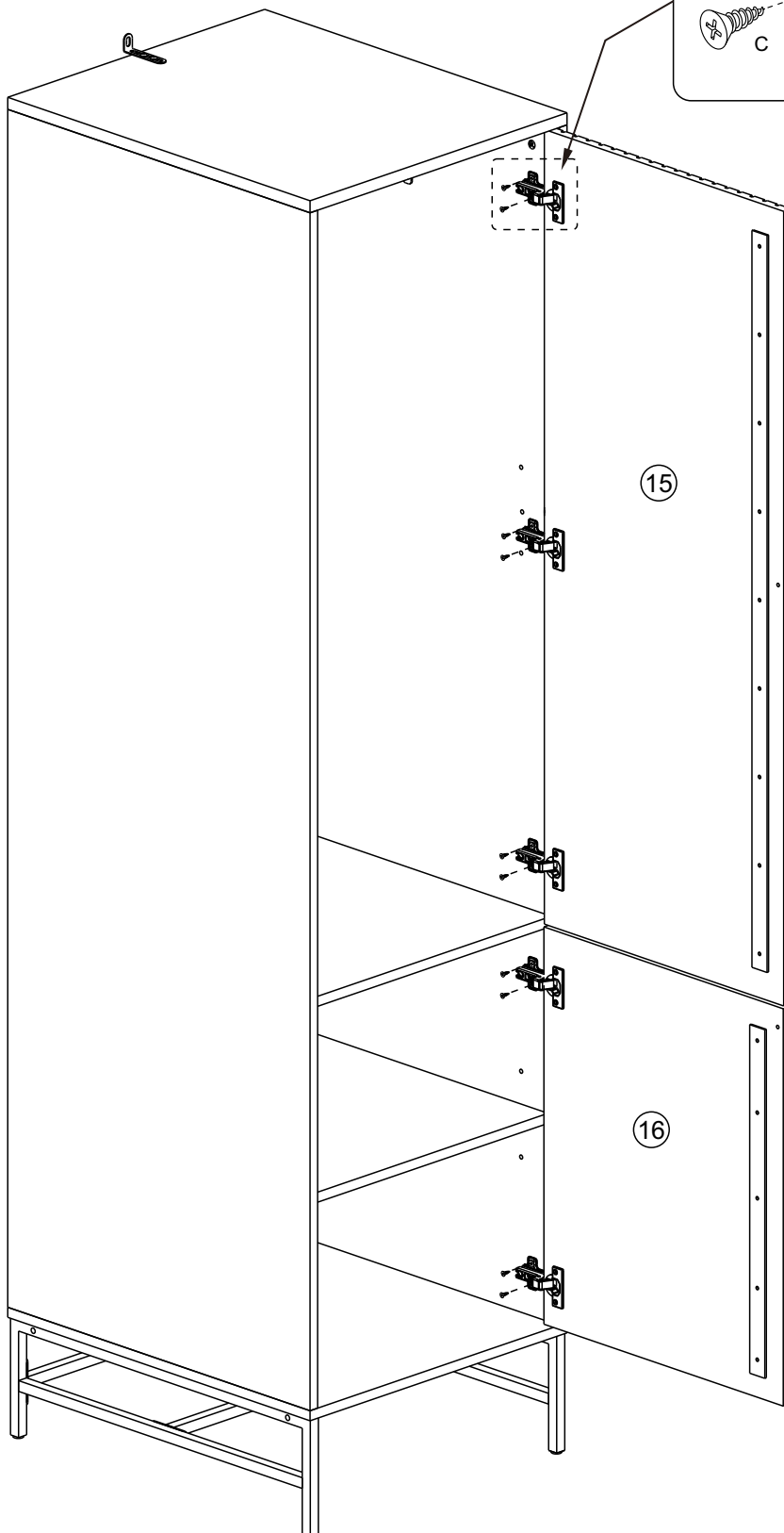
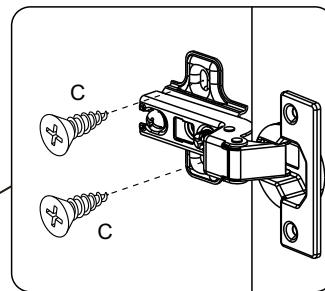
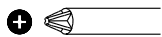
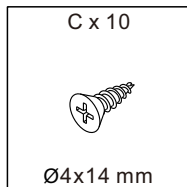




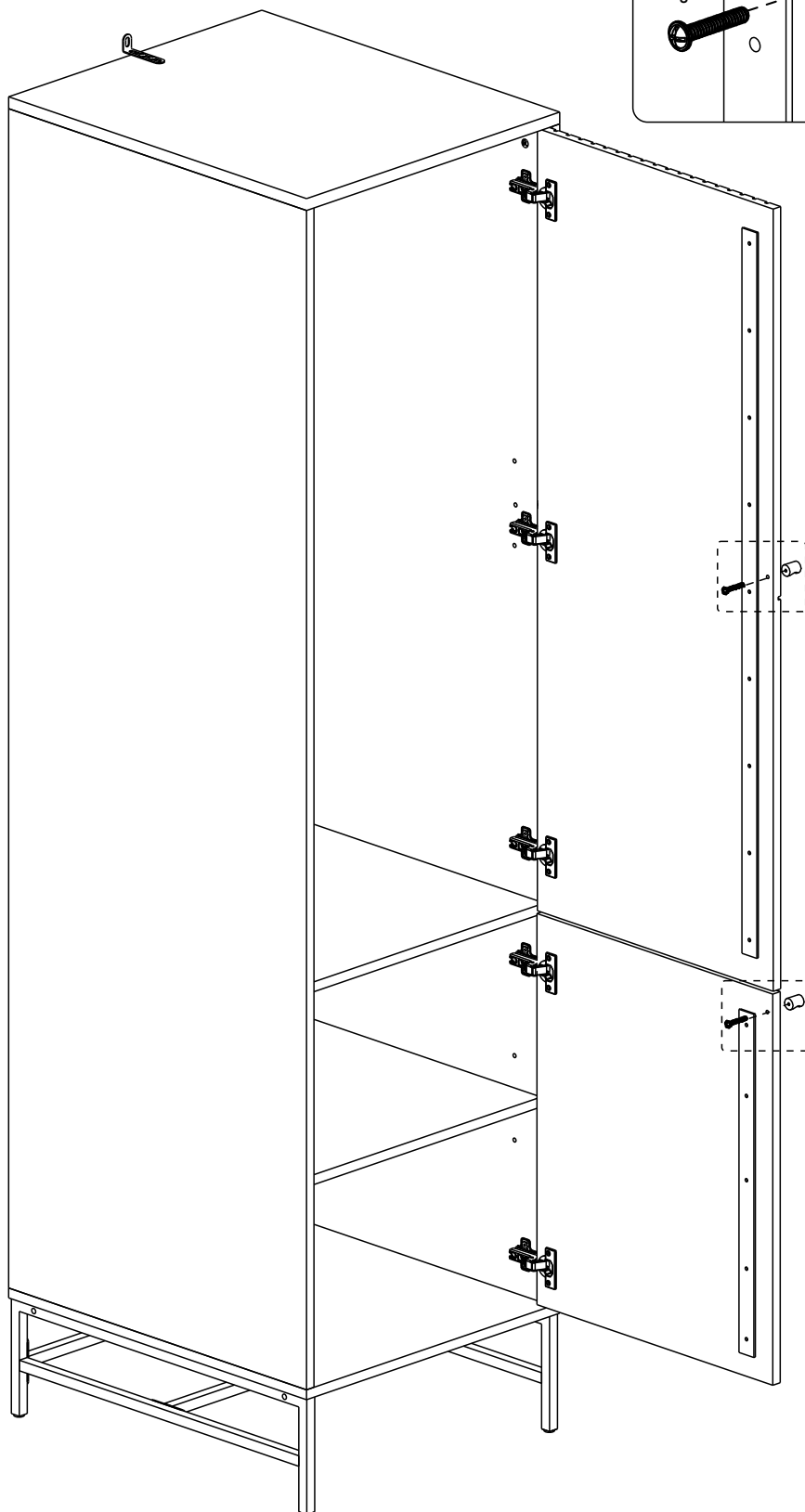
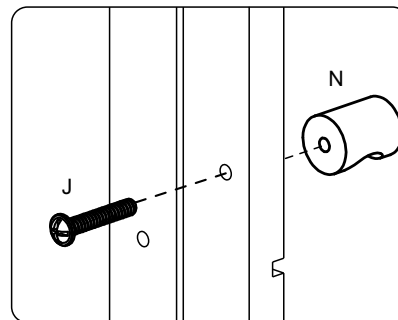
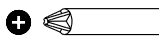
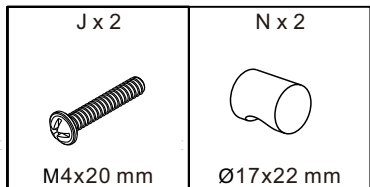
21



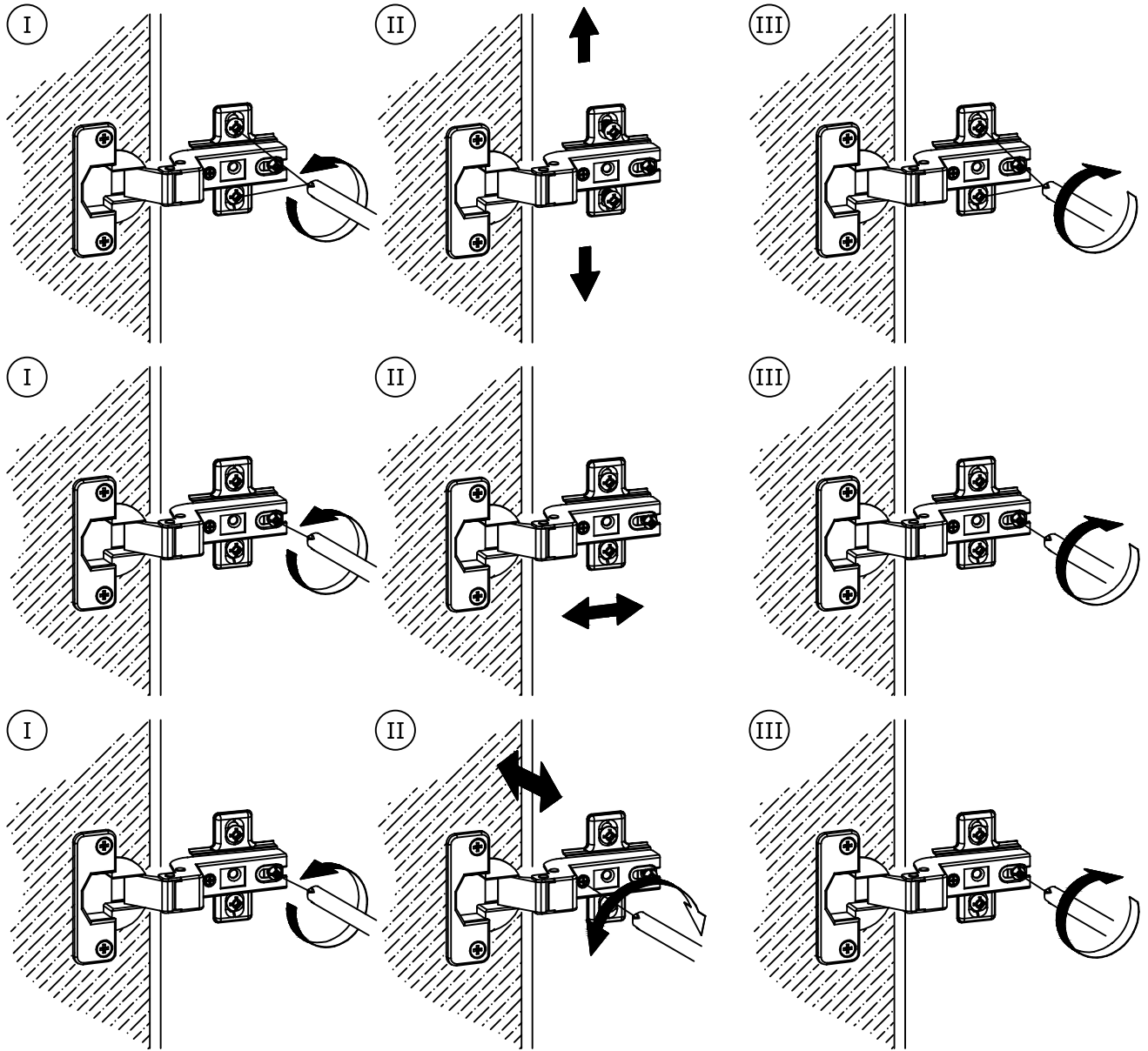
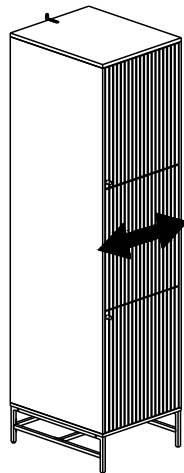
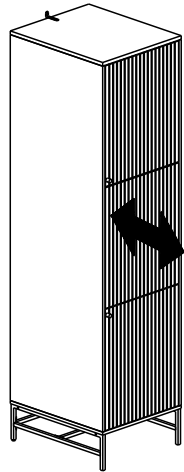
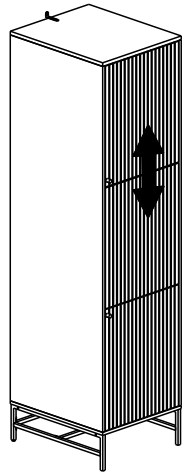
22



23



24



25

