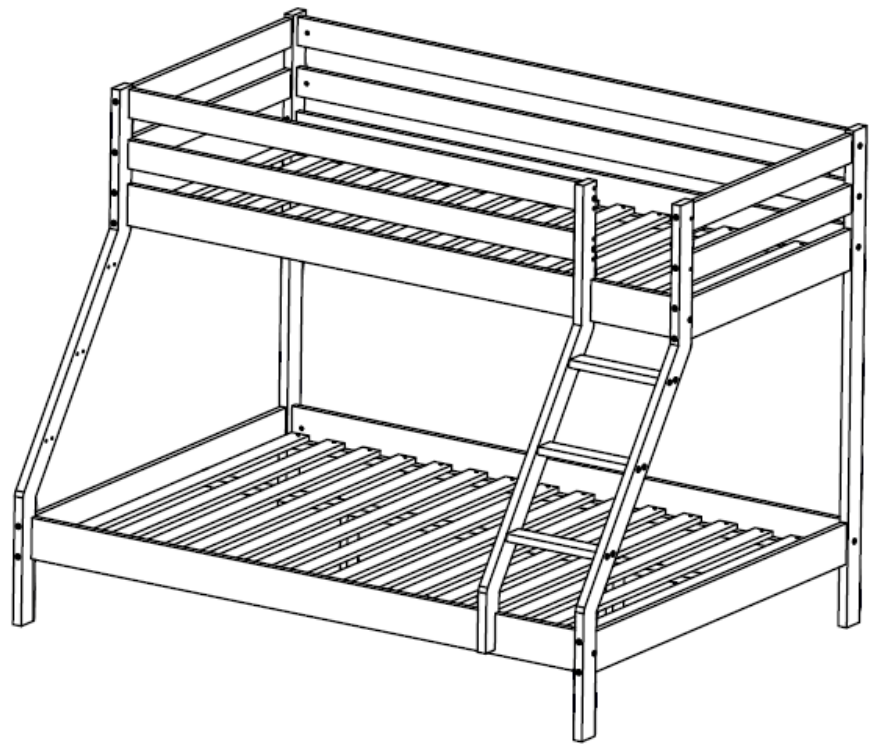
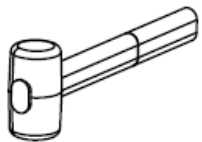
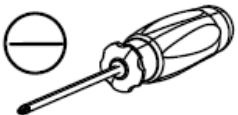
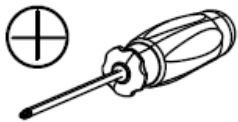
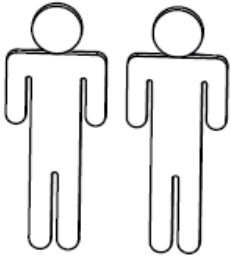
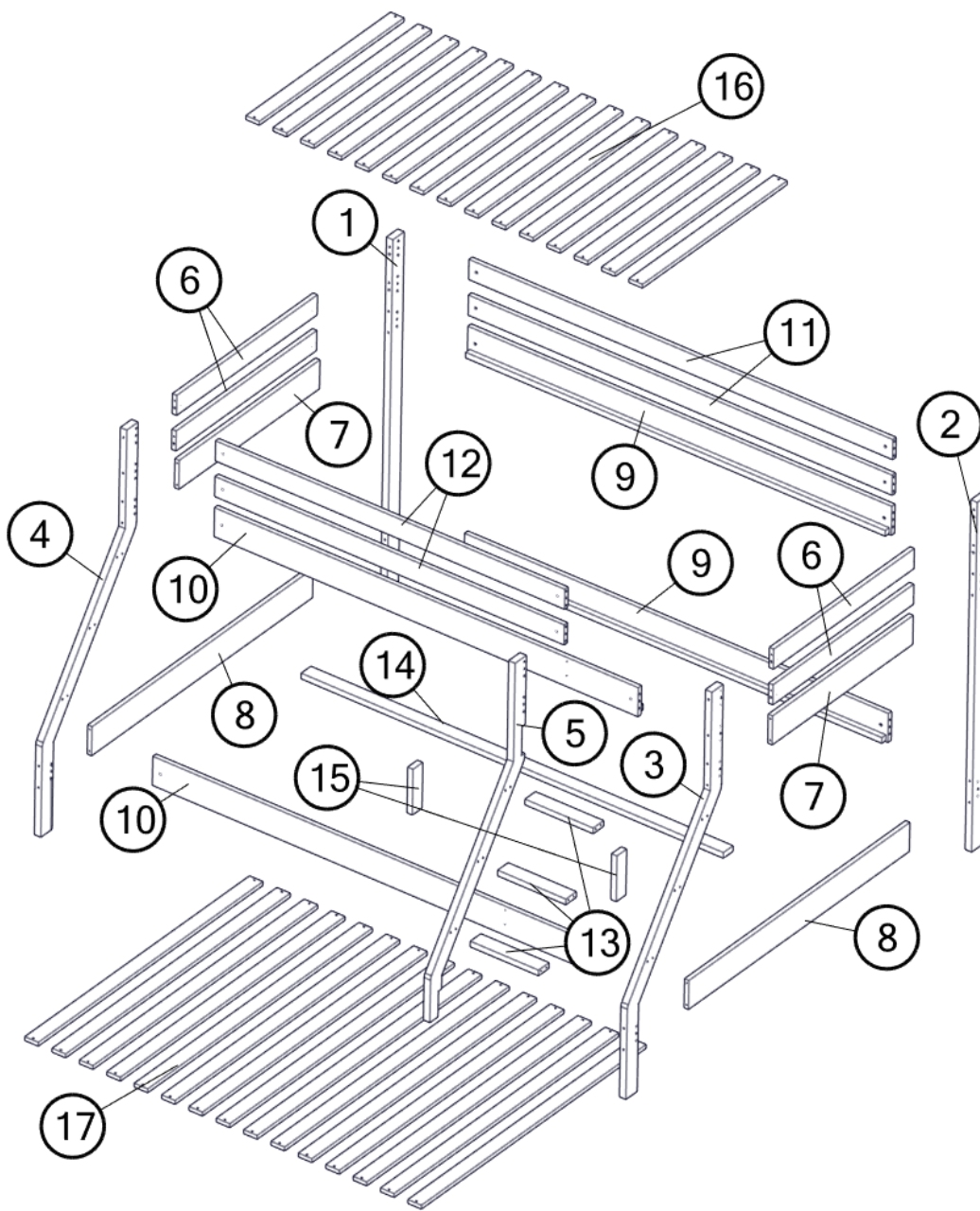


Denis



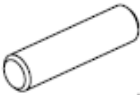





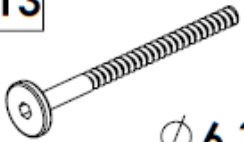
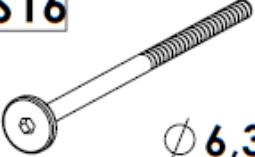
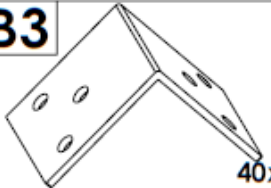




120 min

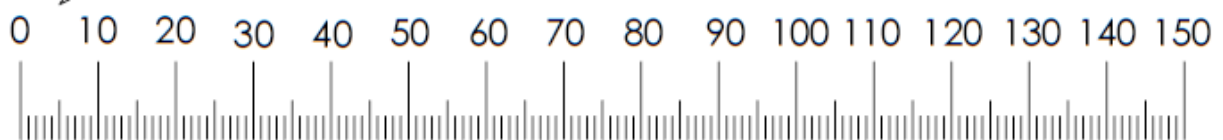
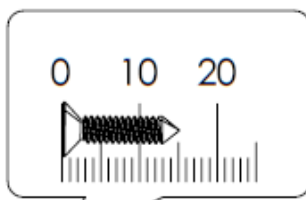


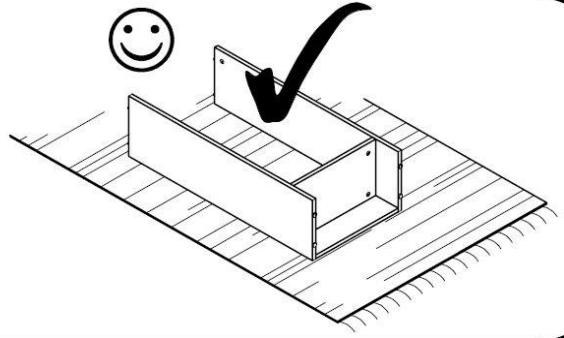
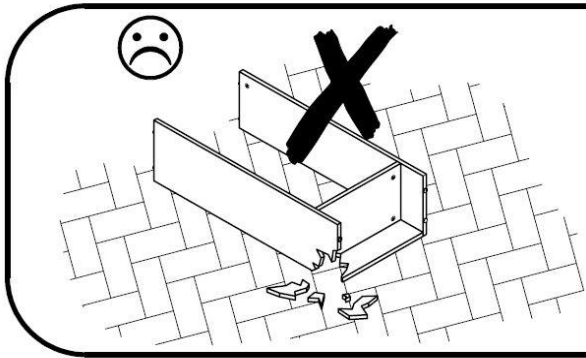


1	1570	70	30	x1
2	1570	70	30	x1
3	1570	570/70	30	x1
4	1570	570/70	30	x1
5	1305	570/70	30	x1
6	875	90	20	x4
7	875	130	20	x2
8	1375	130	20	x2
9	1990	130	20	x2
10	1990	130	20	x2
11	1990	90	20	x2

12	1640	90	20	x2
13	320	60	25	x3
14	1990	60	25	x1
15	205	60	25	x2
16	898	63	17	x15
17	1398	63	17	x15

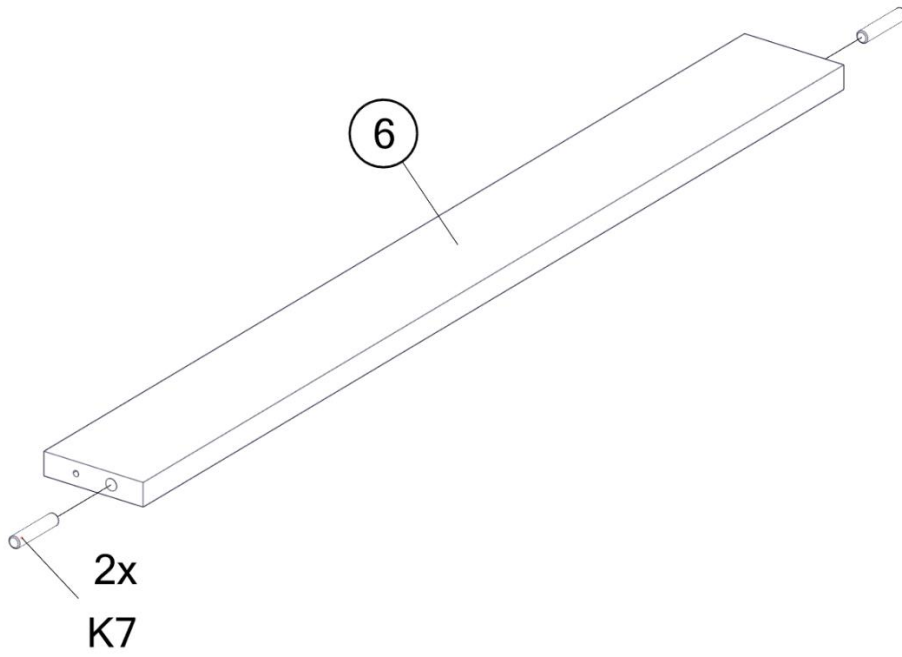
K7  x40 ϕ 10X50	H4  x16 ϕ 10x13	S8  x8 ϕ 4x60
S3  x12 ϕ 3,5X16	S5  x60 ϕ 3,5X30	J9  x16 M6X70
S13  x12 ϕ 6,3X70	S16  x24 ϕ 6,3X110	B3  x2 40x40x40
F2  x1 HEX 4mm	W4  x1 74,6x25x25	D1  x16 ϕ 7
D2  x8 ϕ 10		





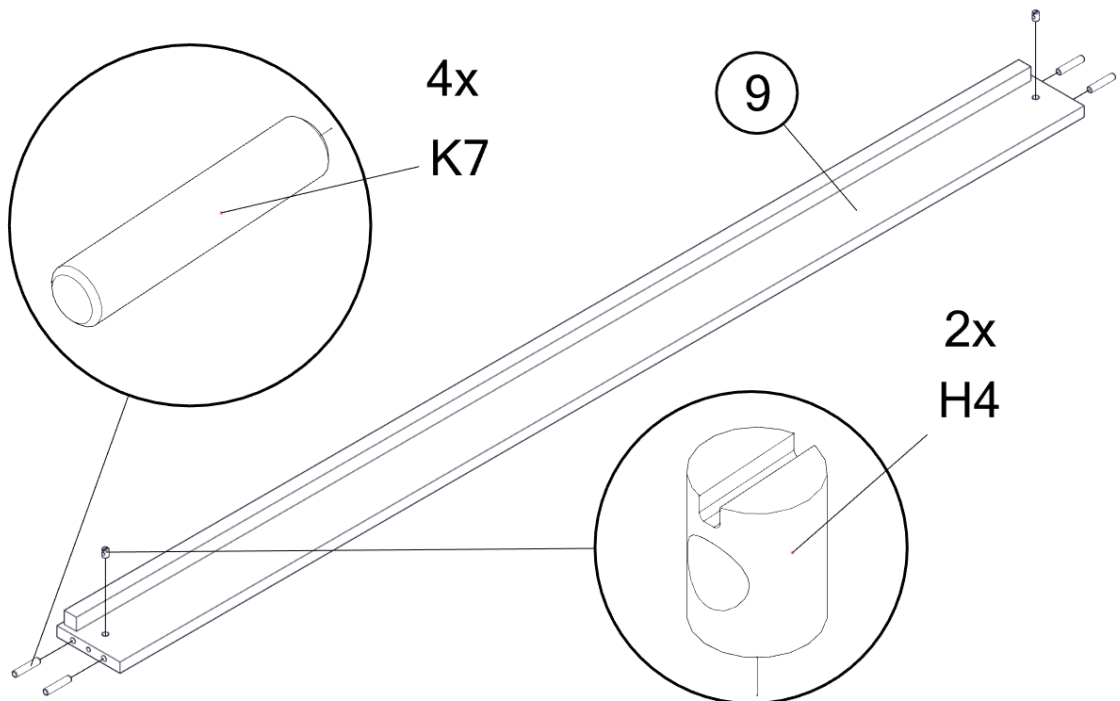
1

x 4



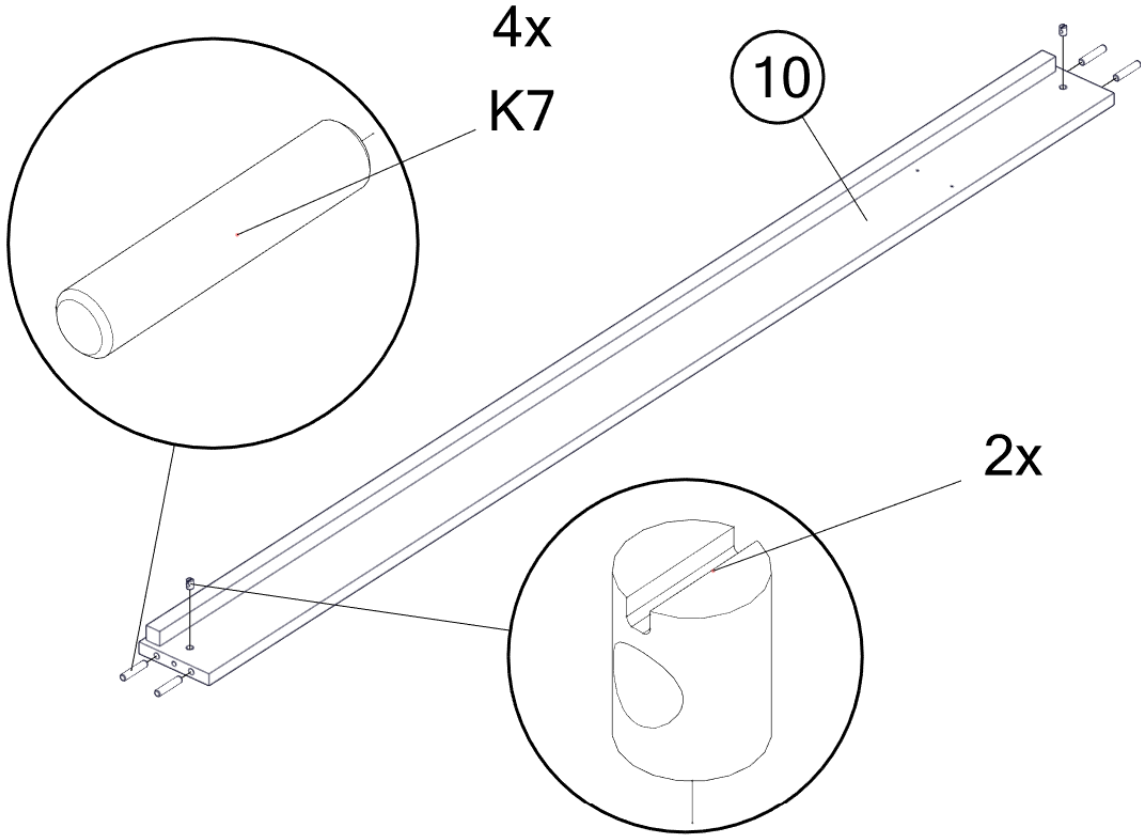
2

x 2



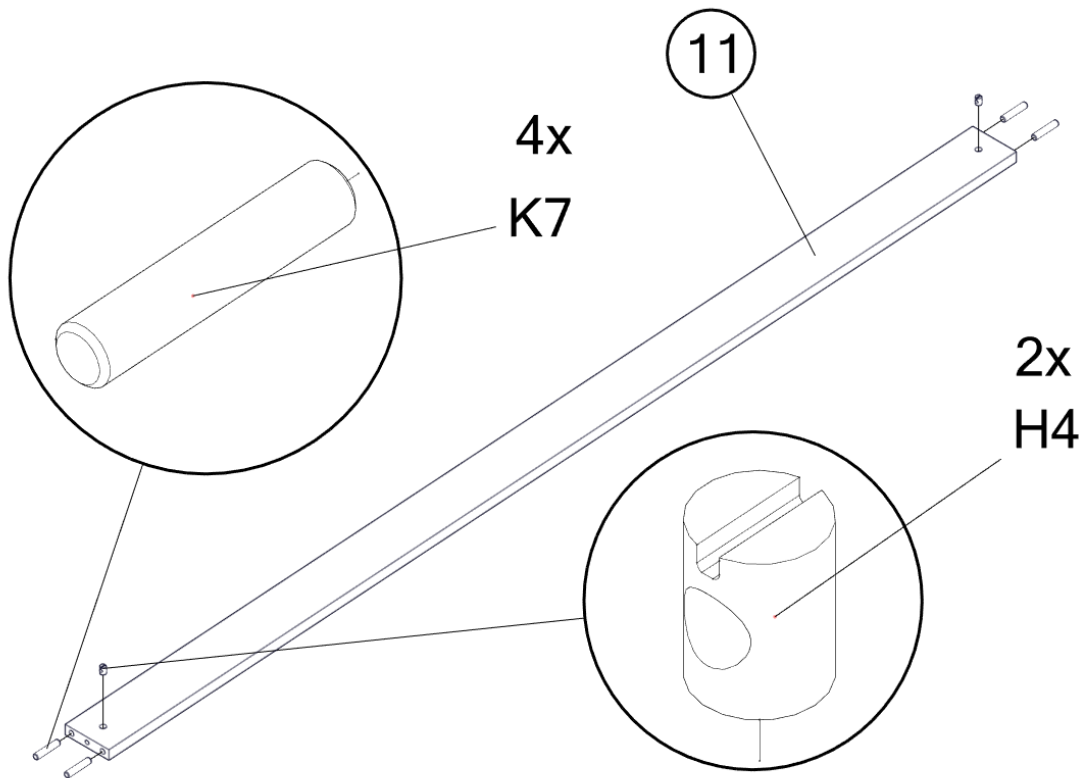
3

x 2



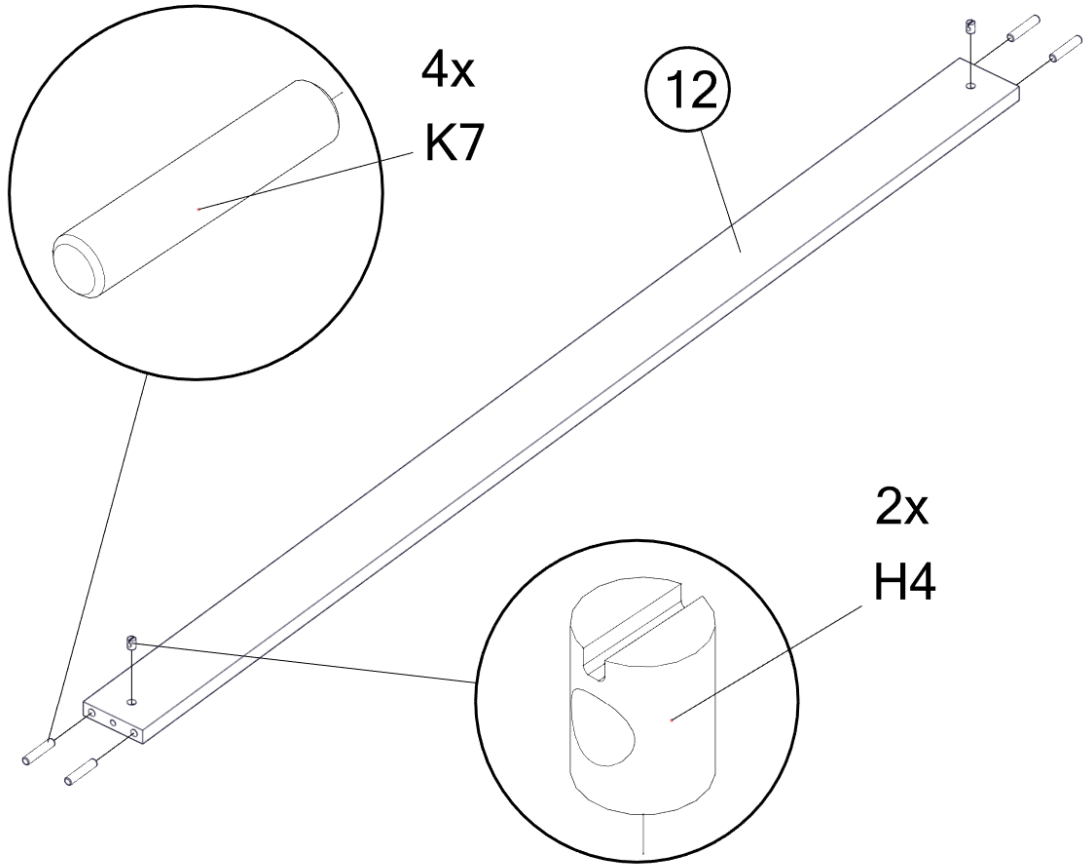
4

x 2



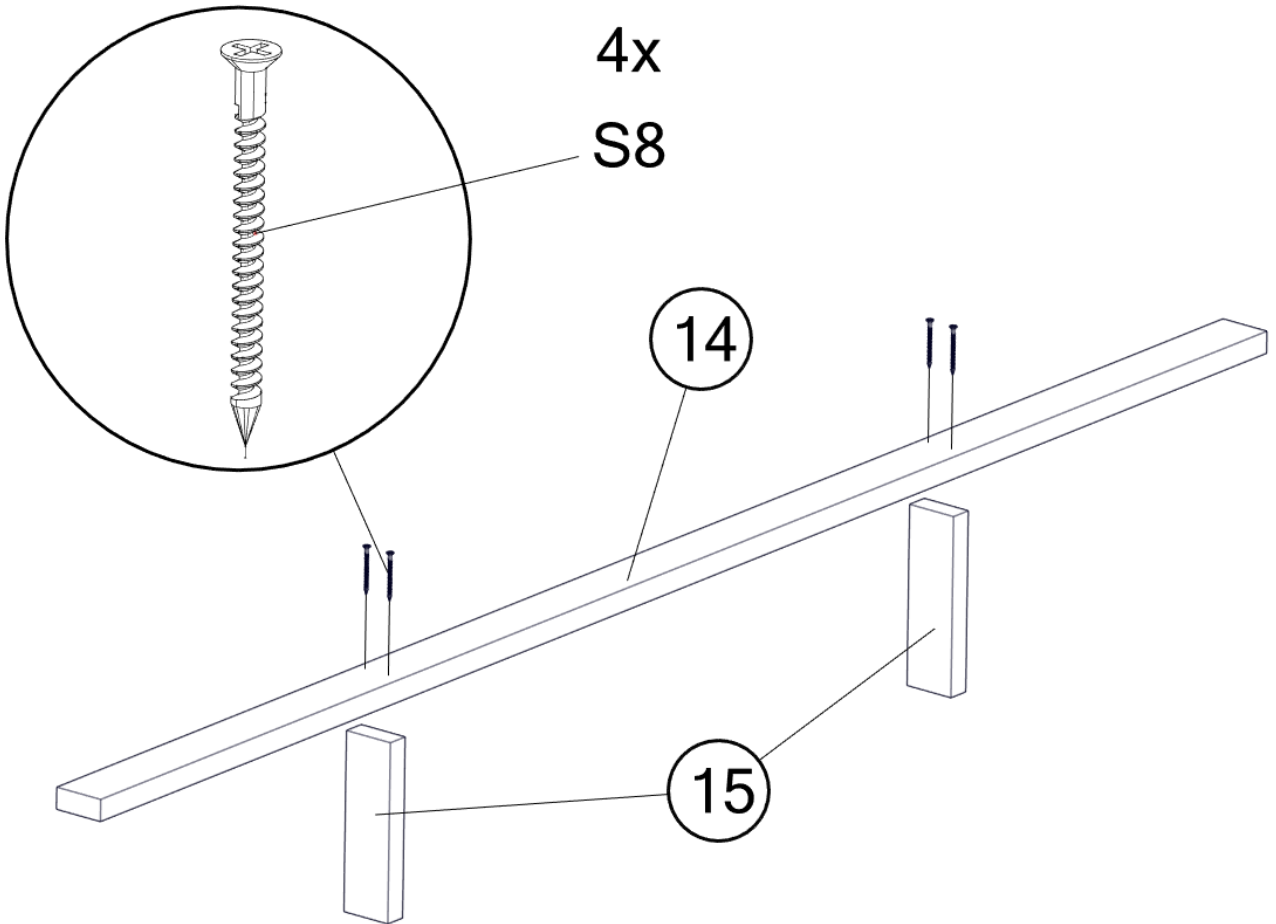
5

x 2

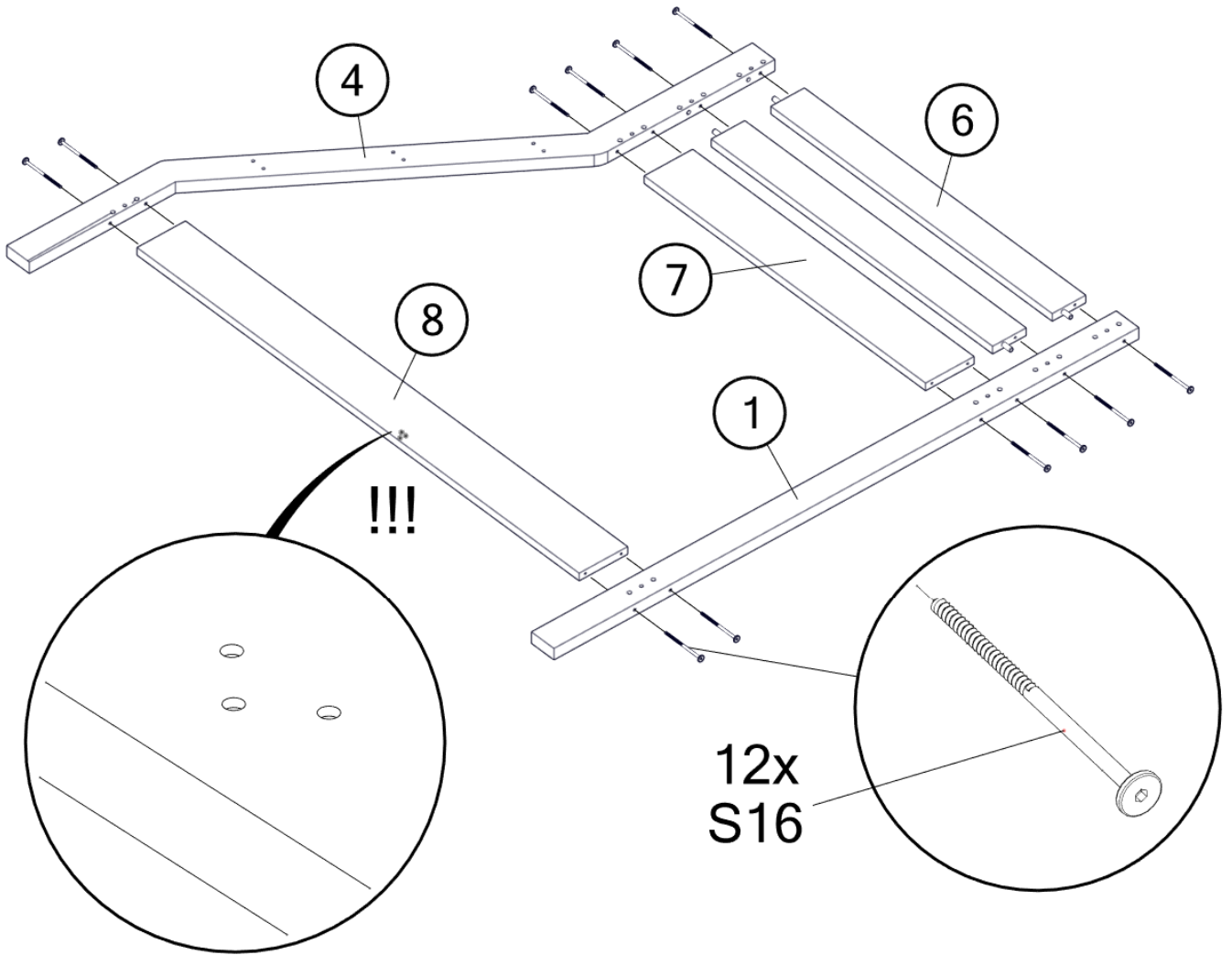


6

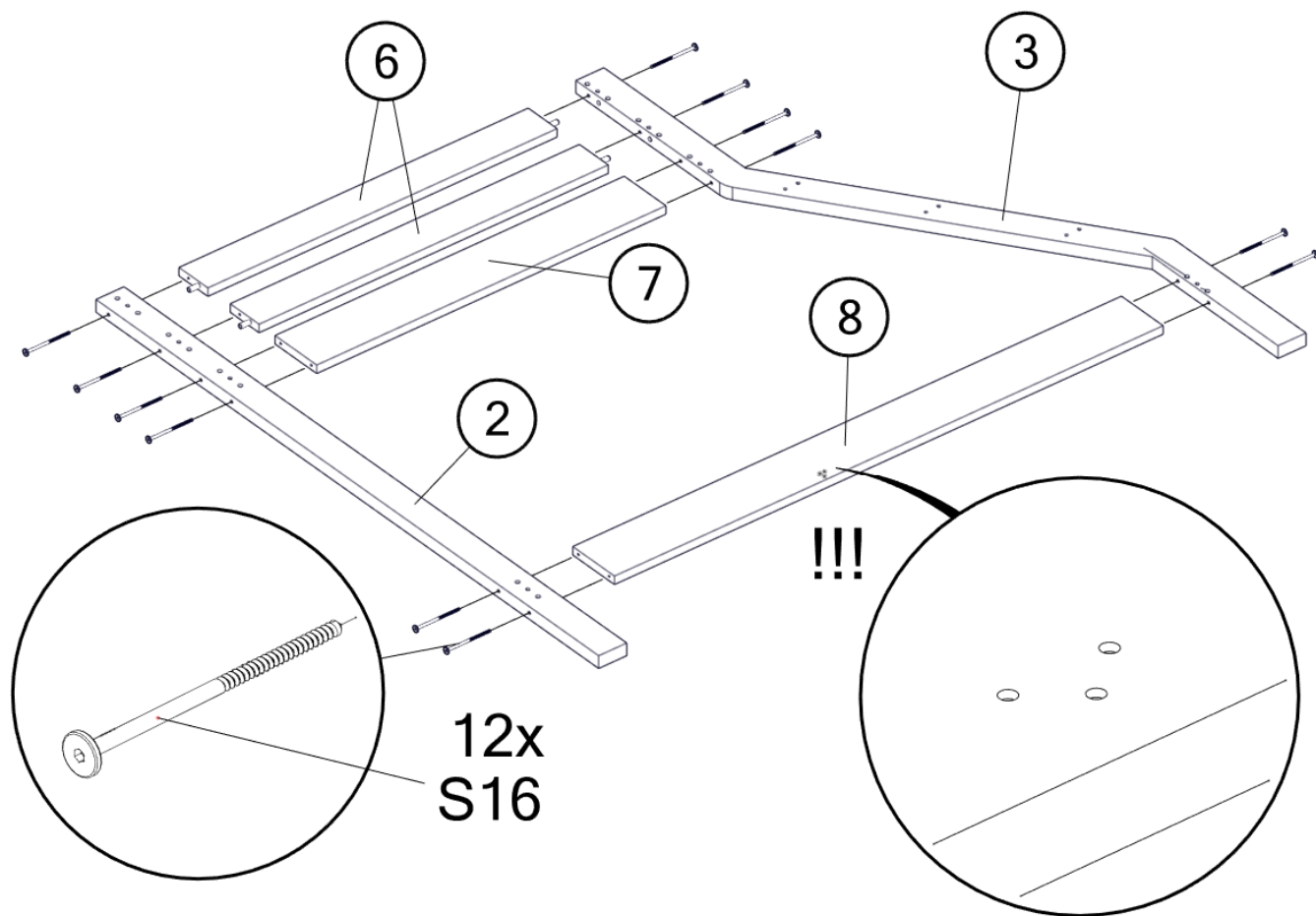
4x
S8



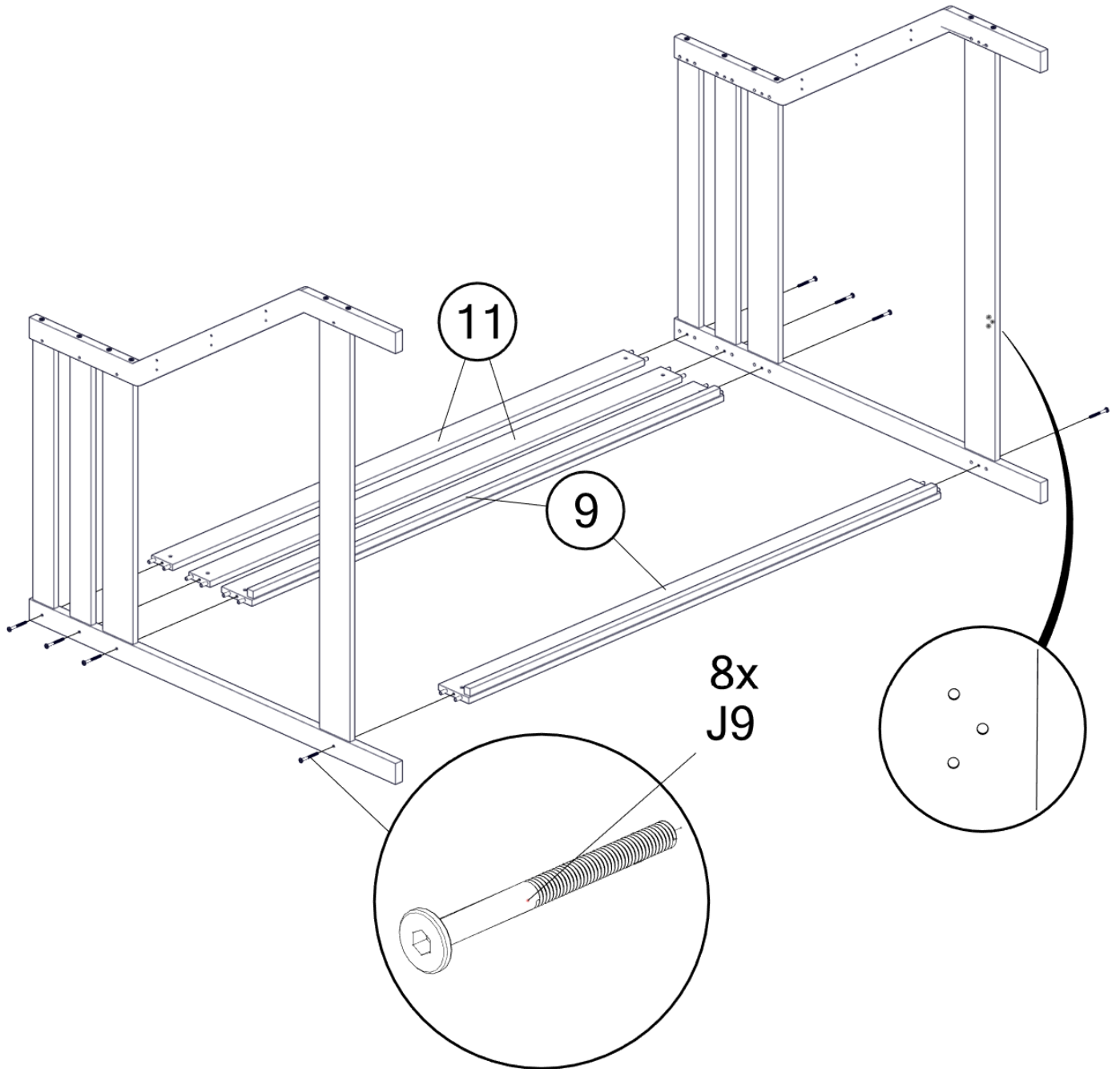
7



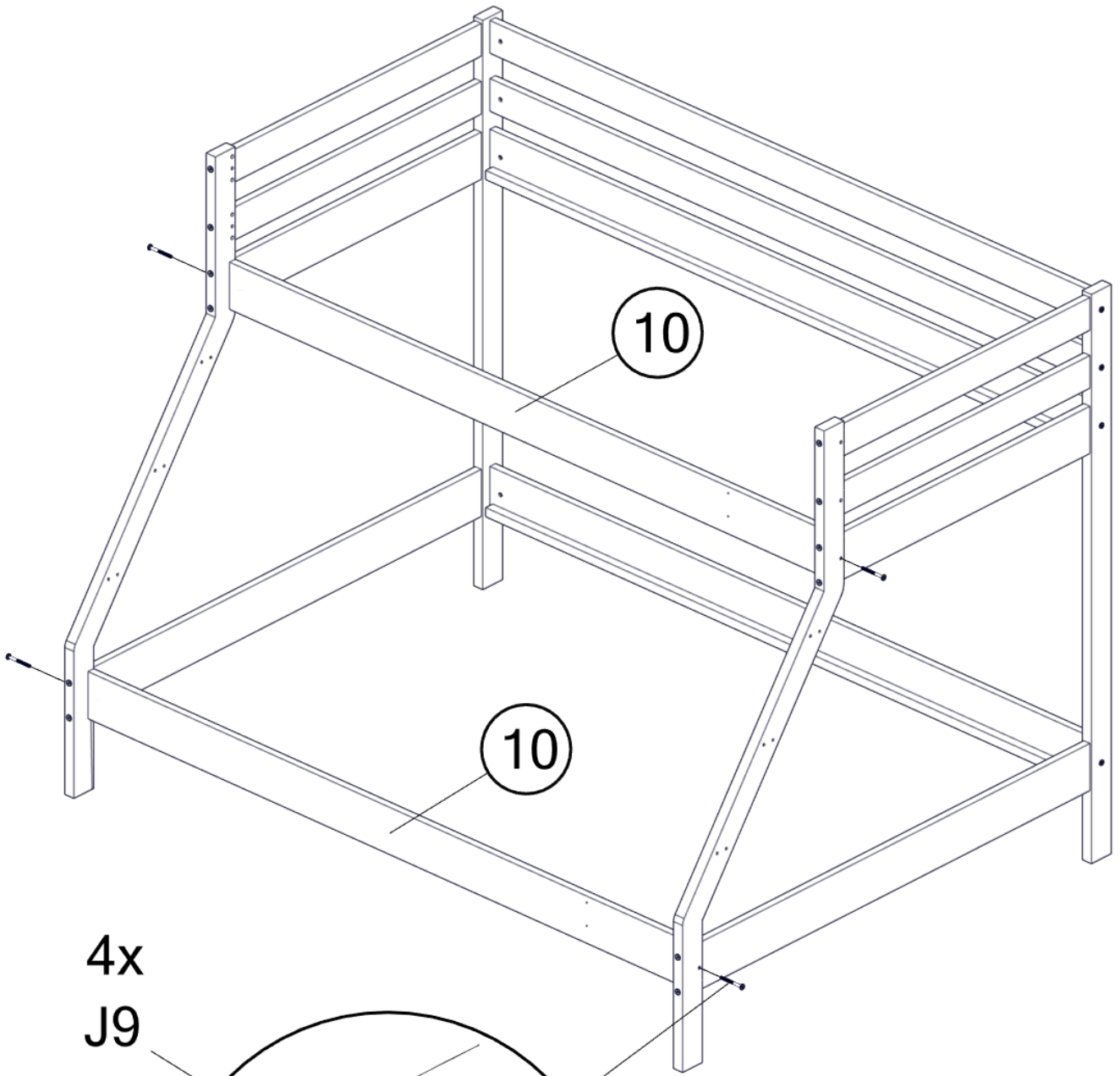
8



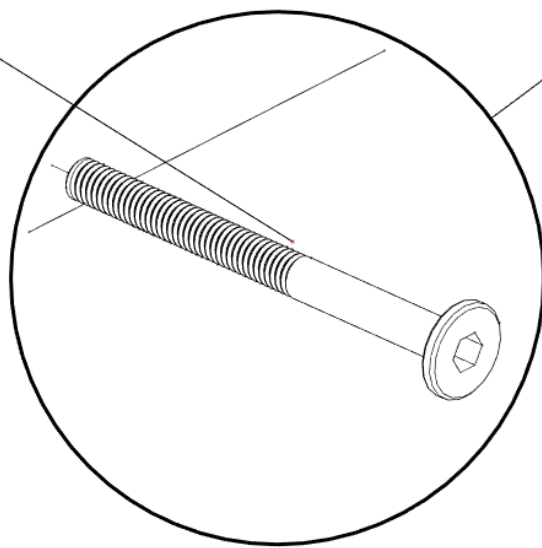
9



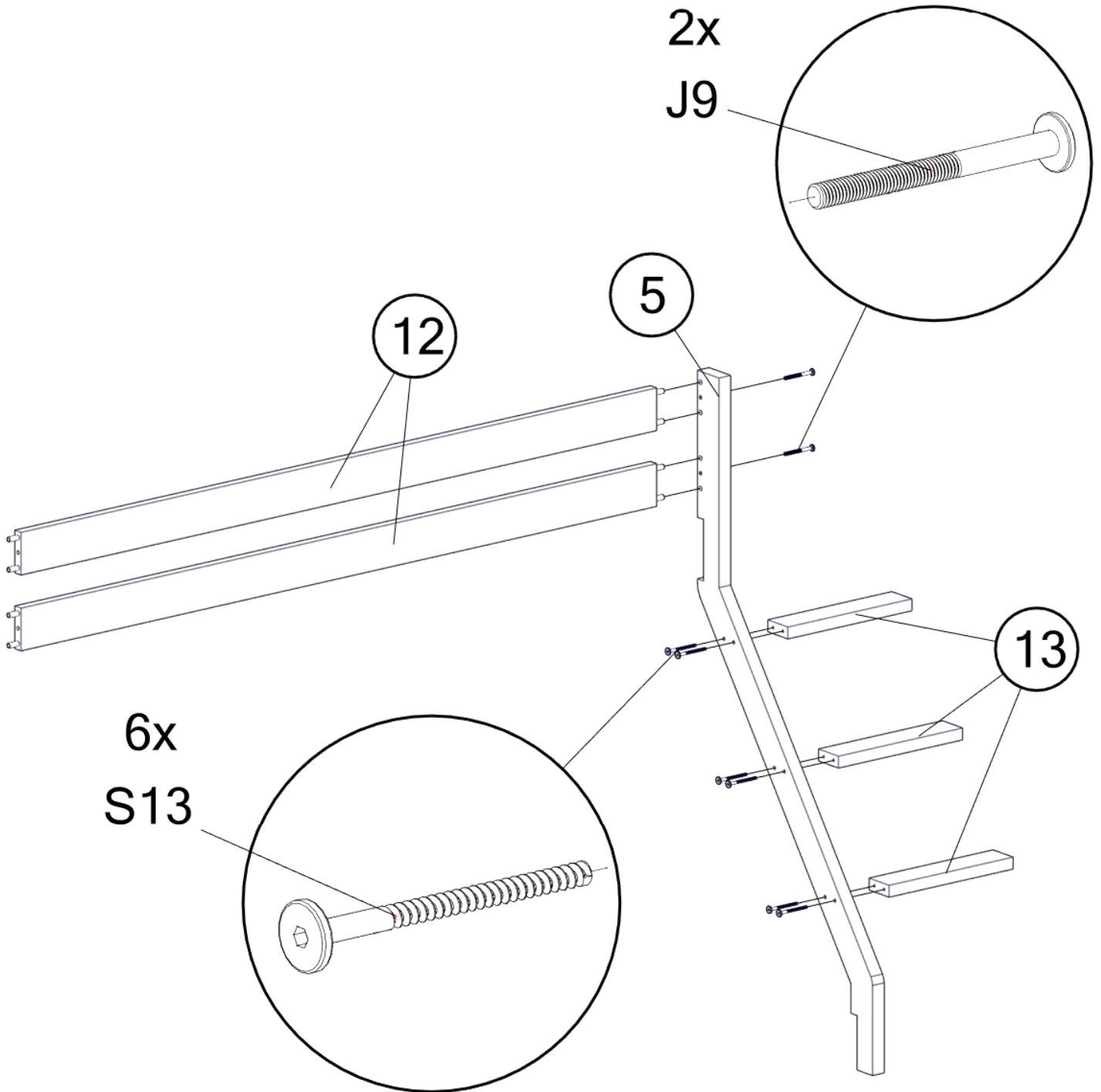
10



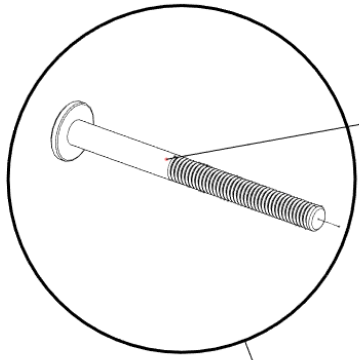
4x
J9



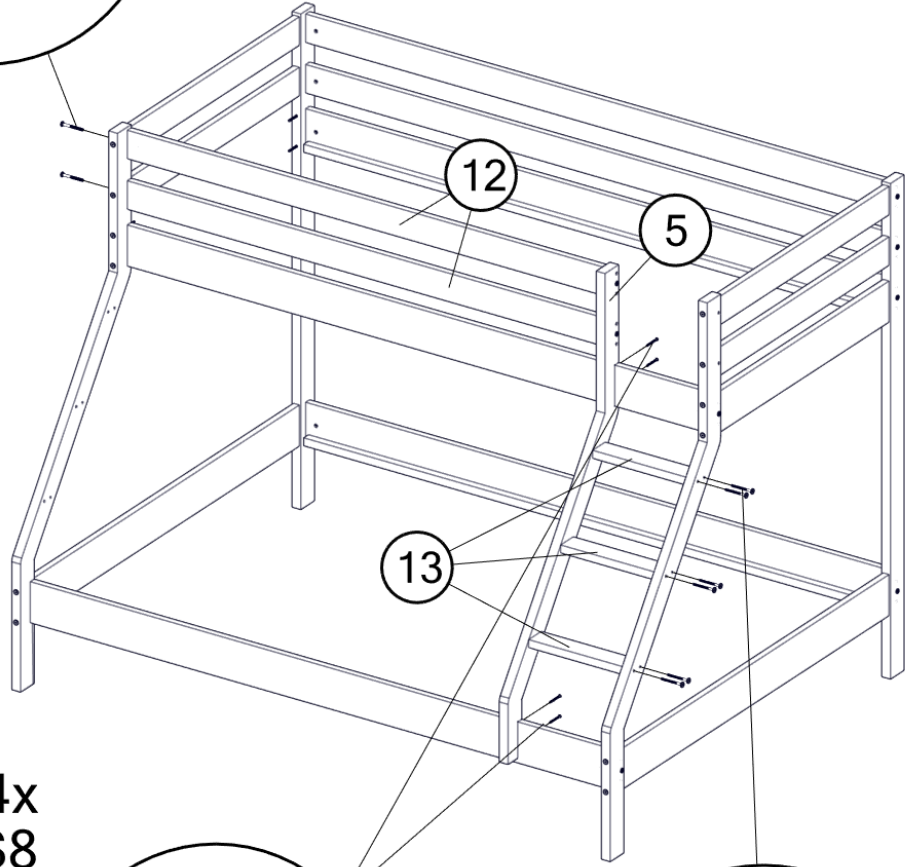
11



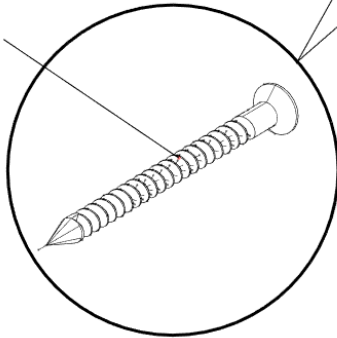
12



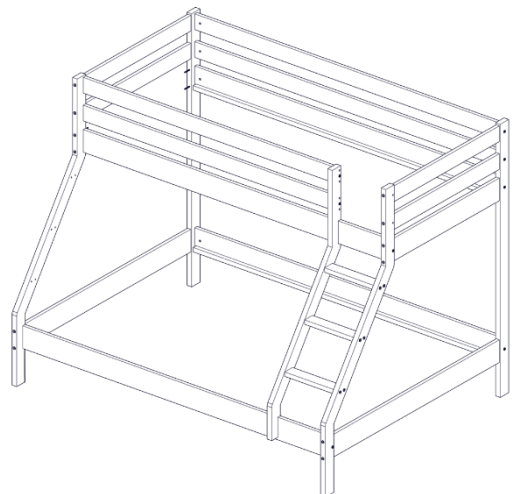
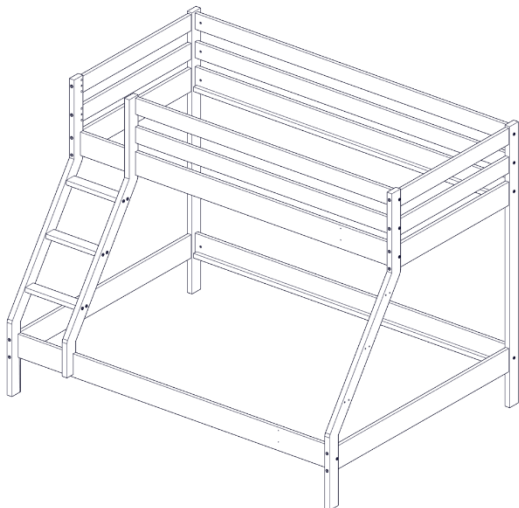
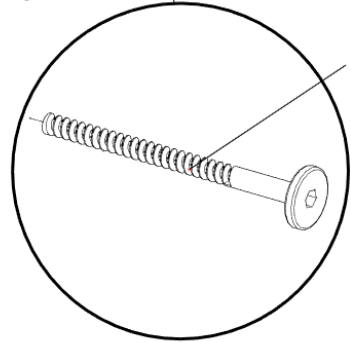
2x
J9



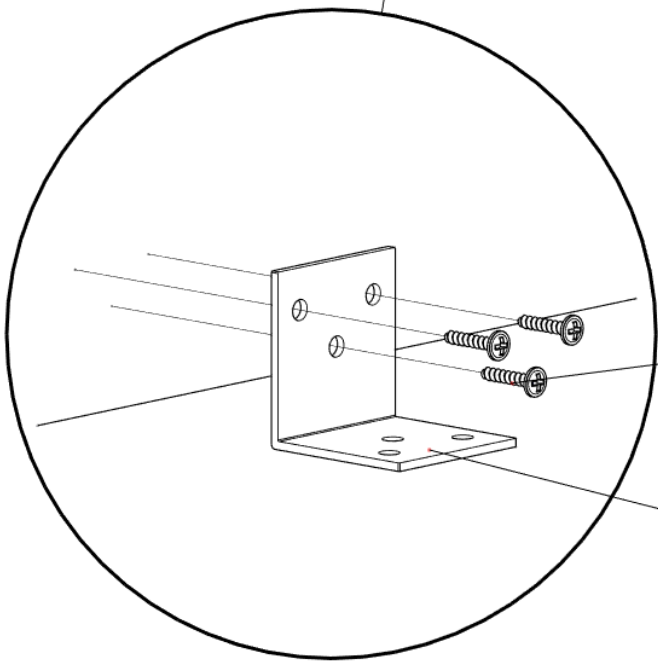
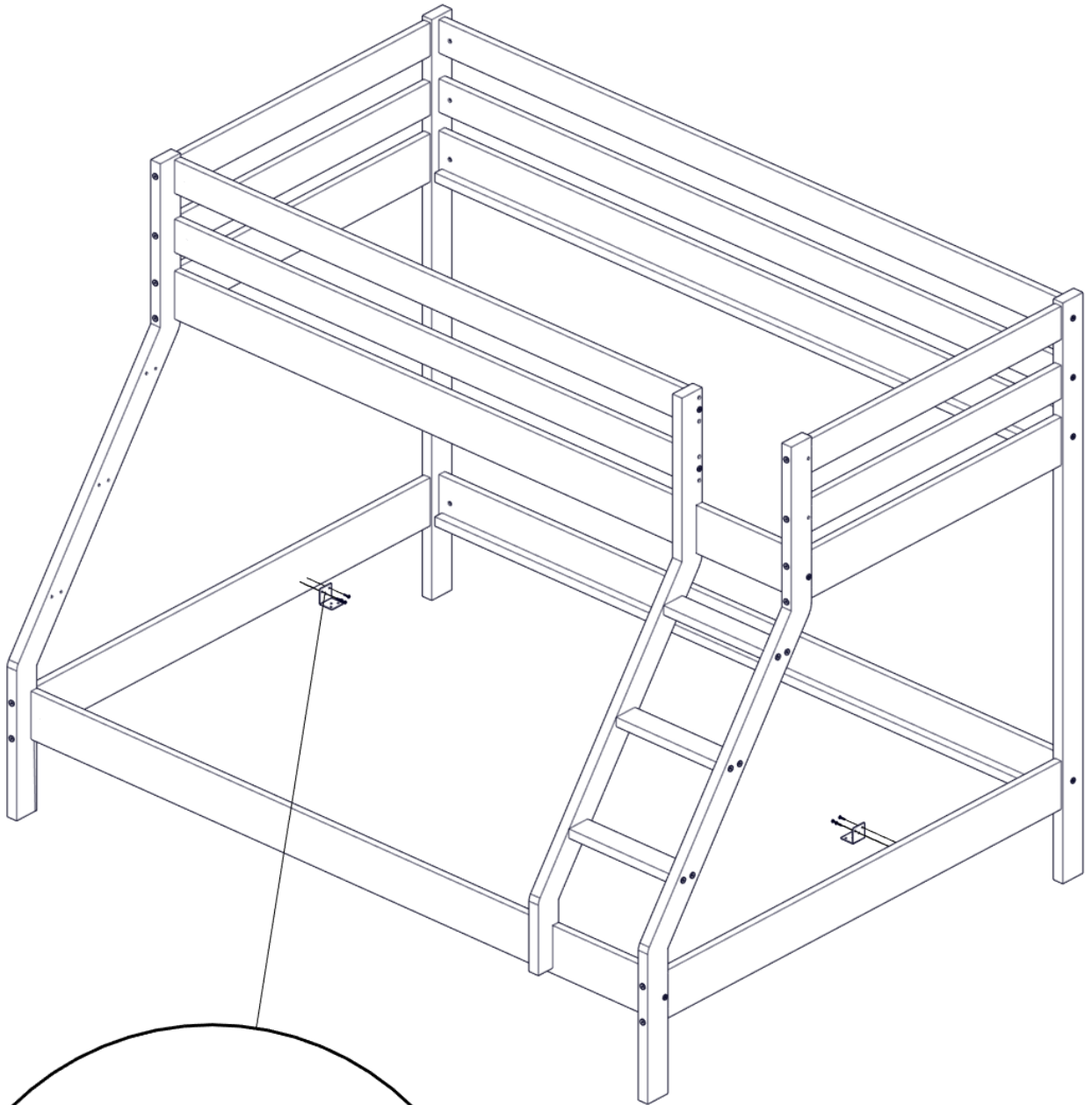
4x
S8



6x
S13



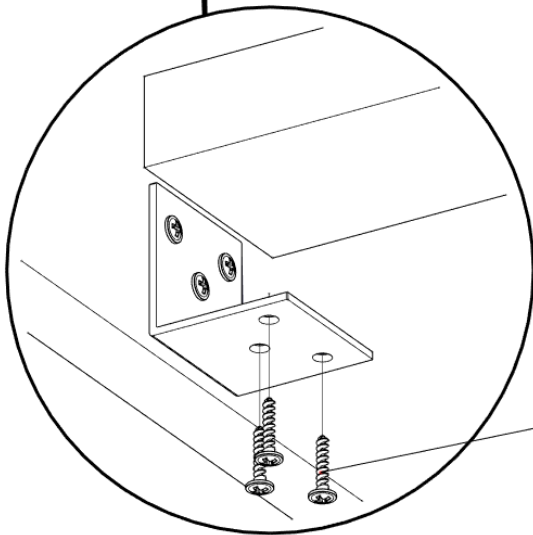
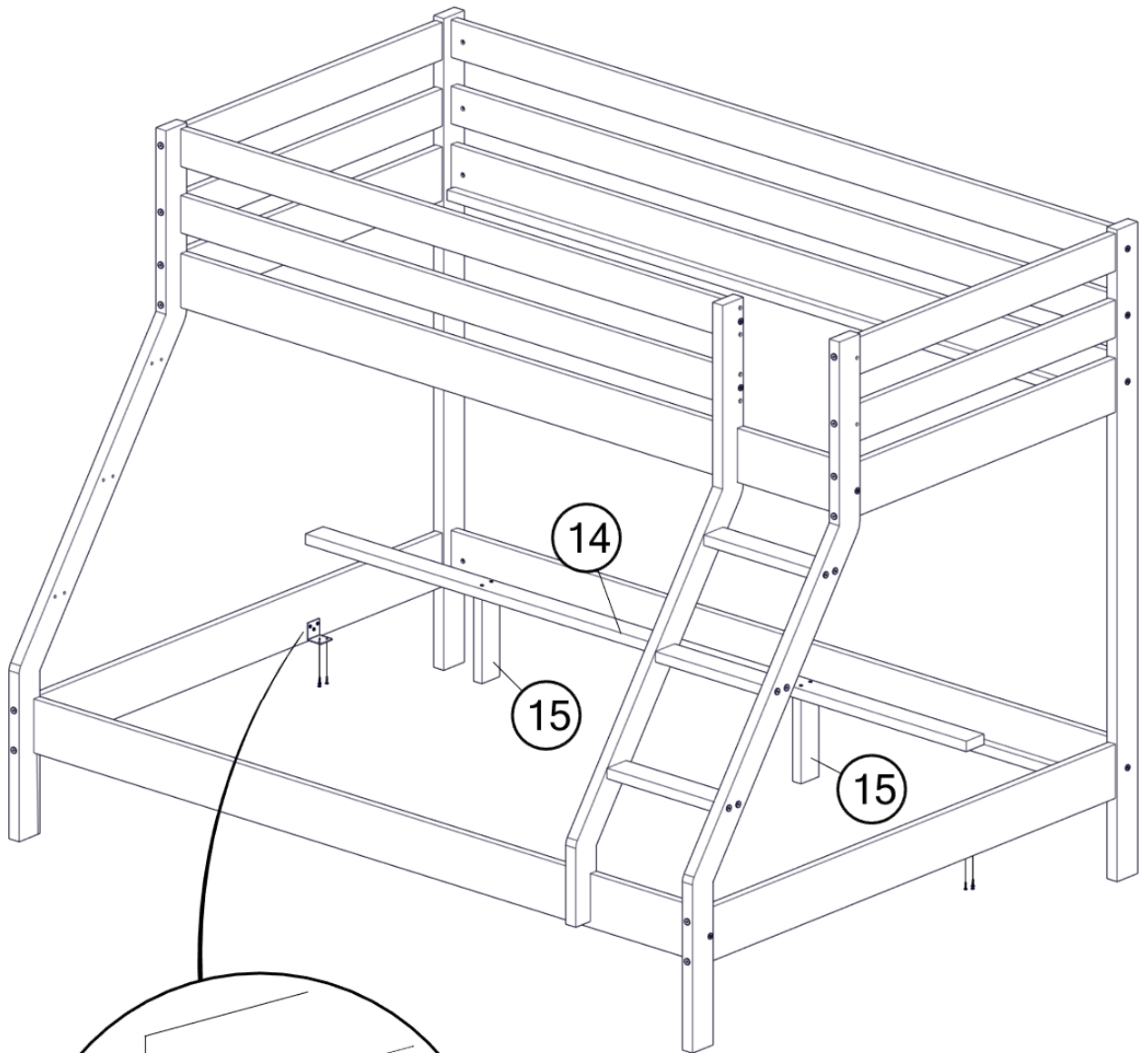
13



6x
S3

2x
B3

14

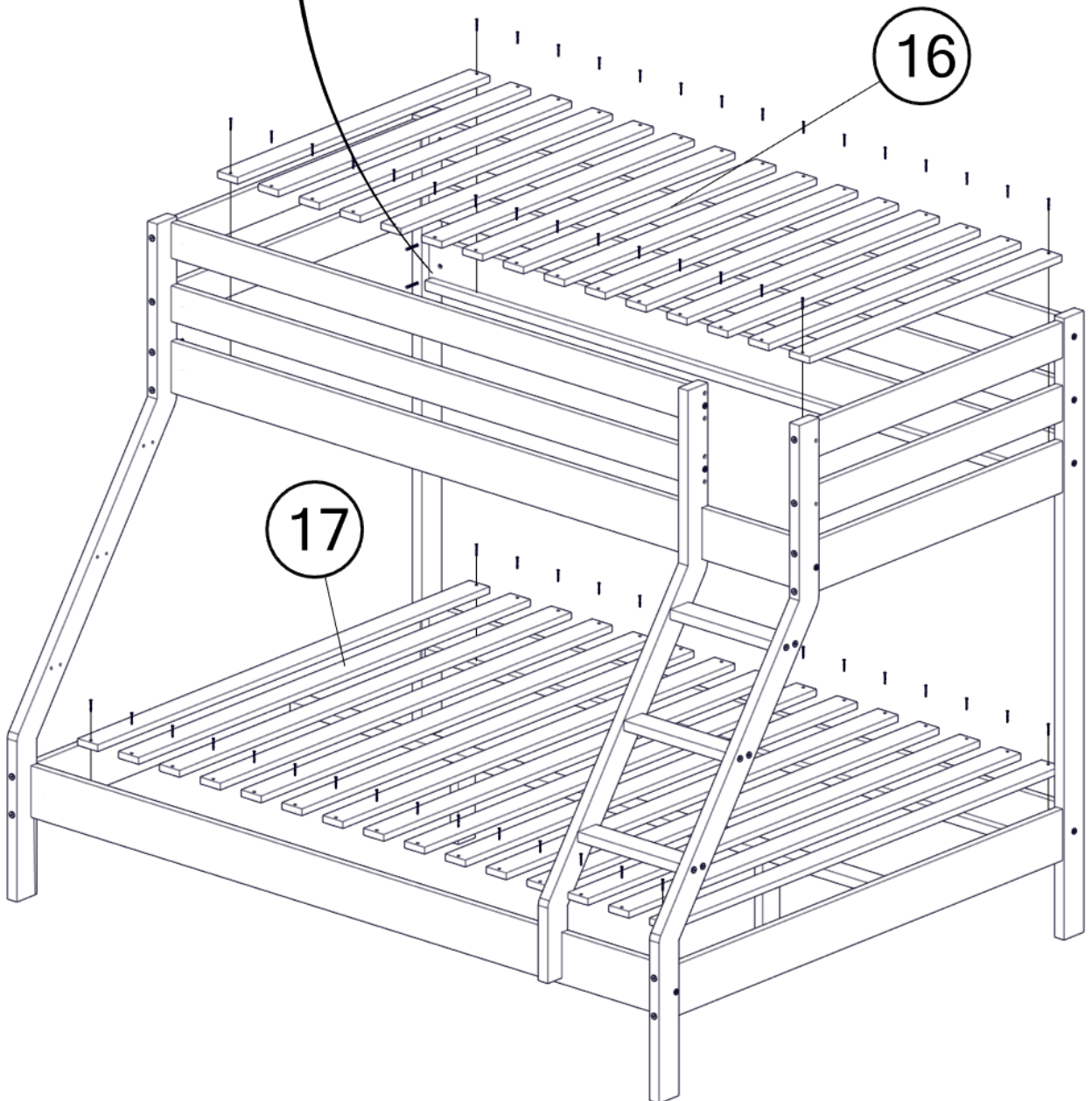
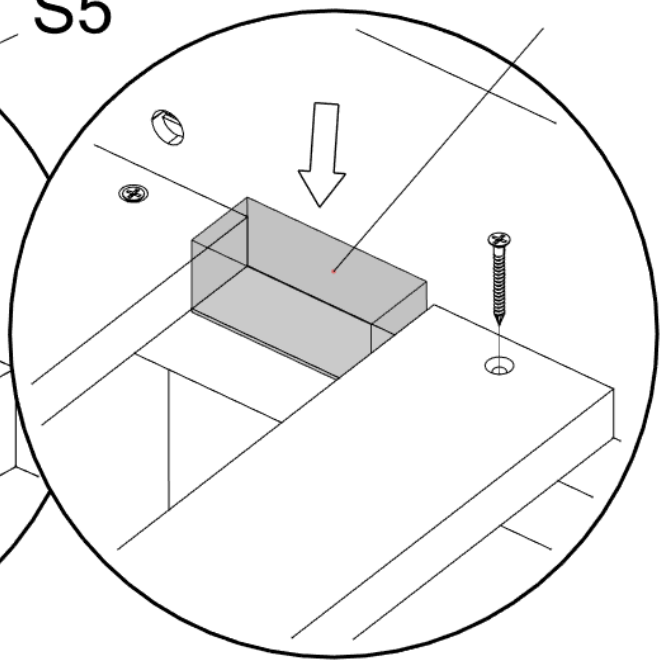
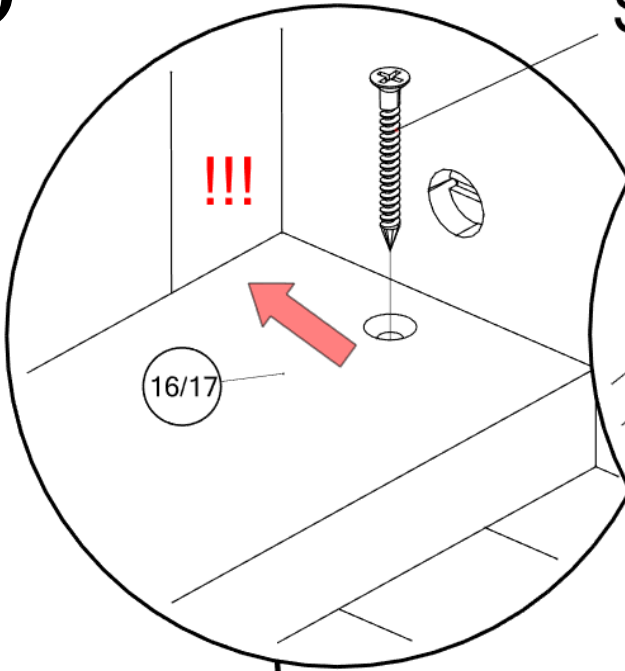


6x
S3

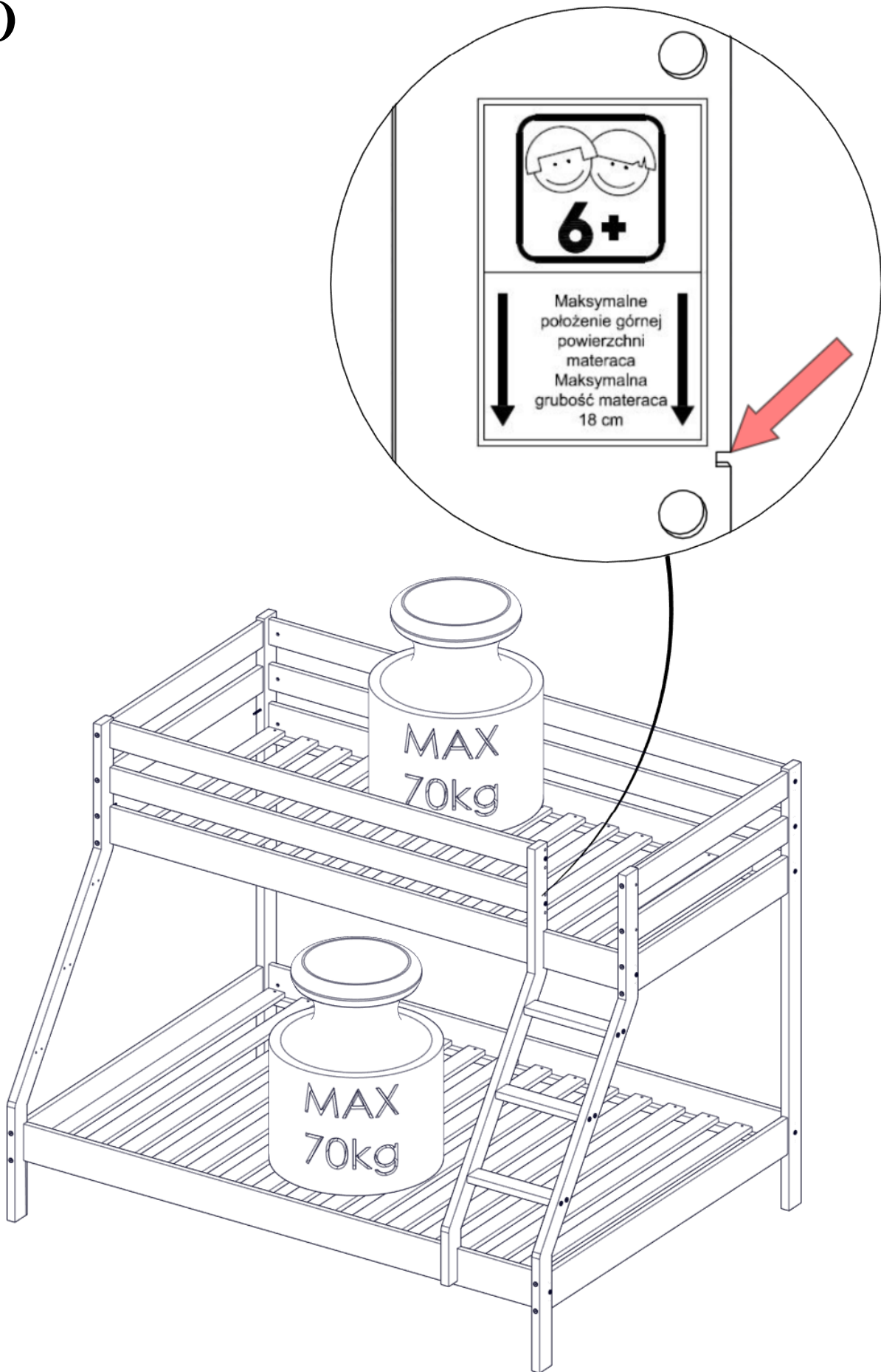
15

30x
S5

W4



16



17

16x
D1

8x
D2

