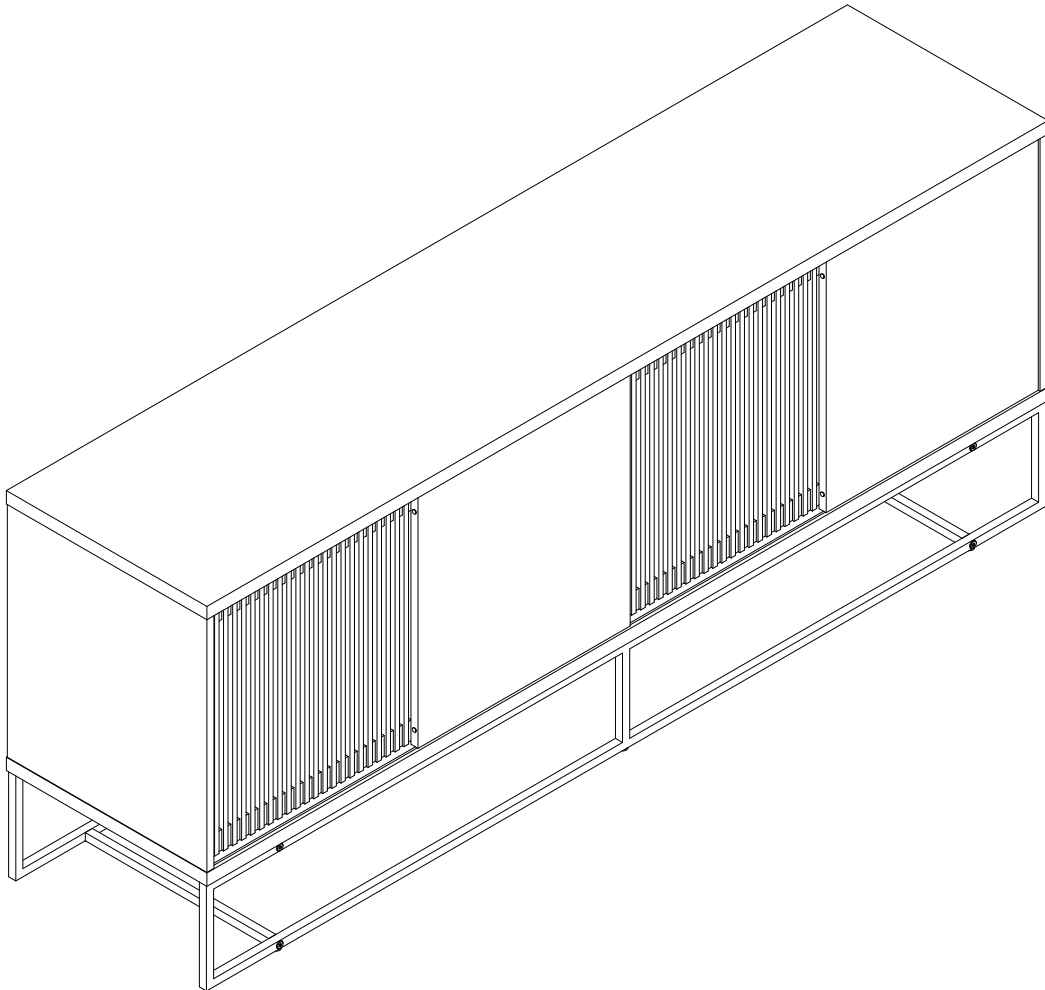


Assembly Instruction



1888 x 450 x 753 (W x D x H, mm)

Batch code:



Woodman OÜ

Made in Estonia
Mäo, Järvamaa
www.woodman.ee
support@woodman.ee

Dear Customer

Congratulations on your new purchase. Follow this advice and get the best result when assembling the product.

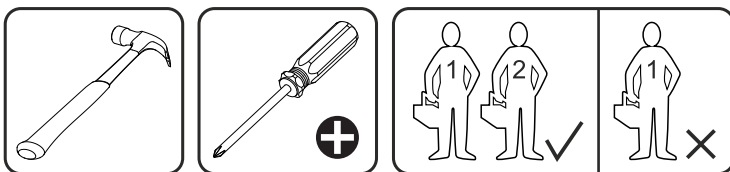
Read the instruction carefully before you start
Get help, if two persons are required for assembly
Make sure, you have all parts on the total material list
Work on a soft, flat surface to avoid any damage to the finish

Follow the assembly instruction
Tighten the furniture joints after a month
Keep the assembly instruction

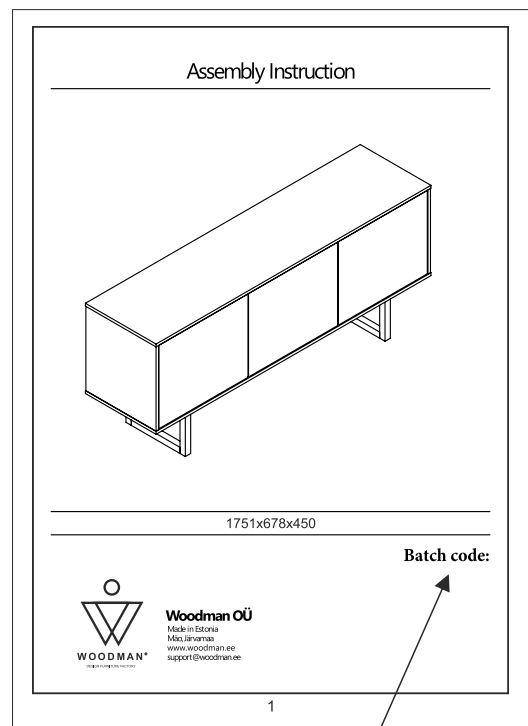
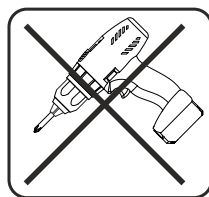
Allocate time

Some furniture can be assembled in minutes. Others - e.g. products in several parts - can take more than an hour to finish. Make sure to allocate good time or divide up the work.

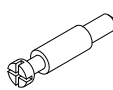
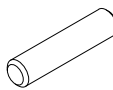
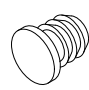
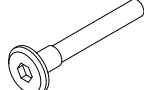


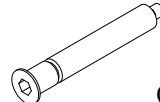
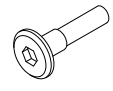
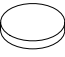
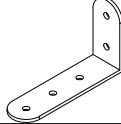
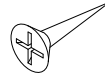
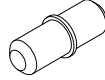


Tools needed

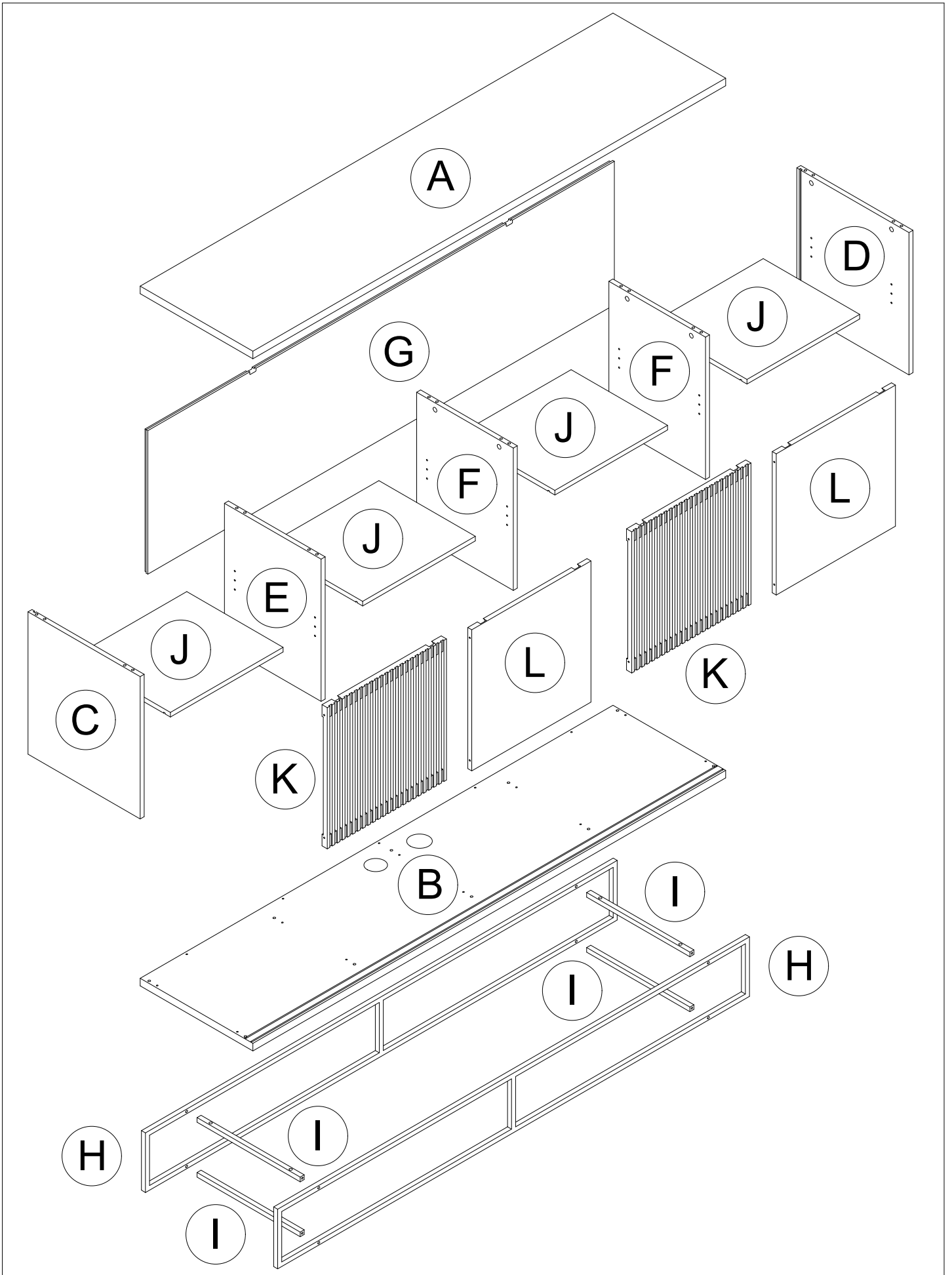


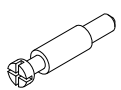
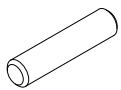
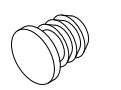
Don't use!!!

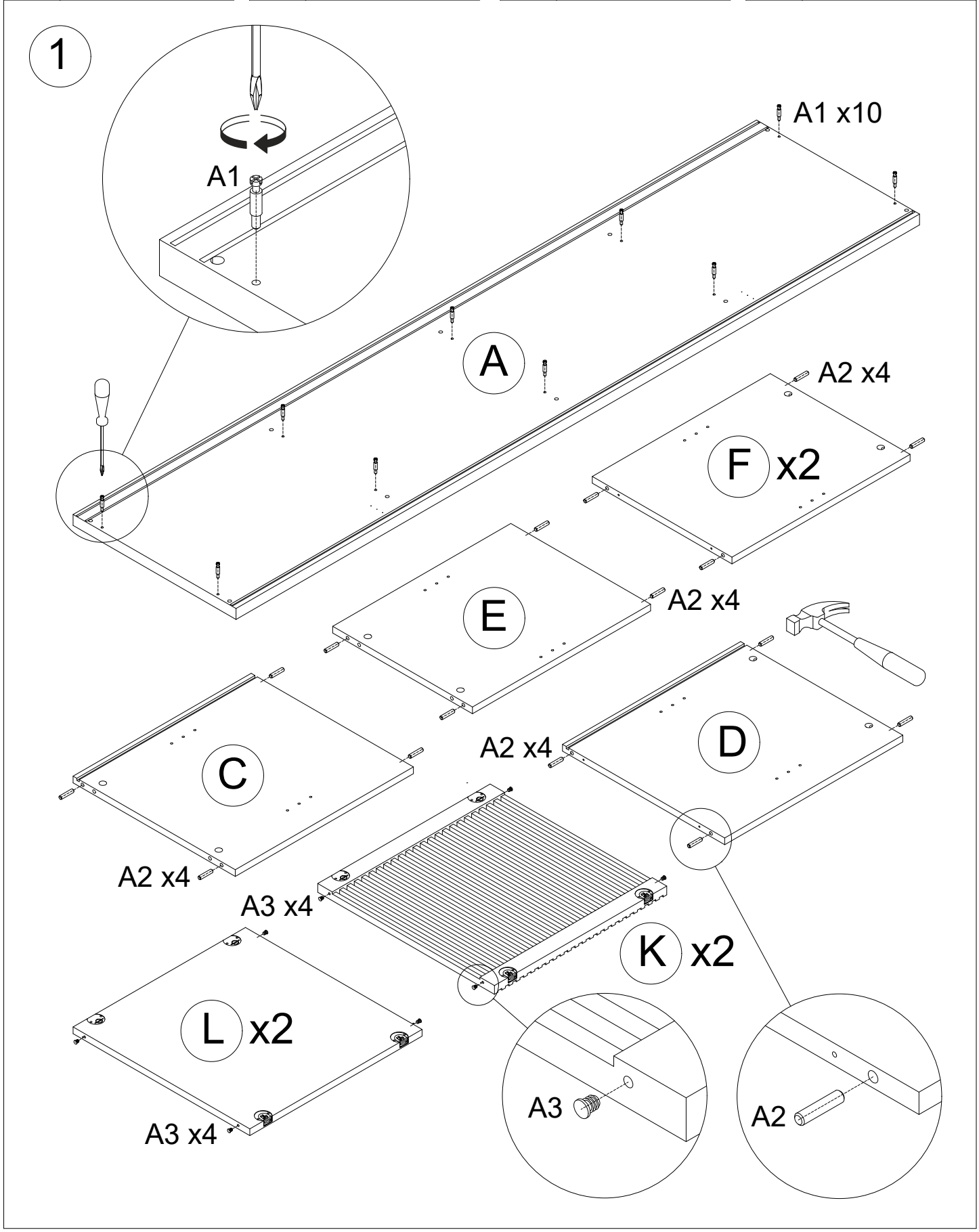


ENG - In case of any quality issues, contact your local dealer and always mention item Batch code.
FR - En cas de problèmes de qualité, contactez votre revendeur local et mentionnez toujours la référence de l'article / Batch code.
IT - In caso di eventuali problemi di qualità, contattare il rivenditore locale e citare sempre punto di riferimento No / Batch code.
ES - En caso de problemas de calidad, póngase en contacto con su distribuidor local y mencione siempre la referencia del artículo / Batch code.
DE - Wenn Sie Qualitätsprobleme haben wenden Sie sich bitte an ihren örtlichen Händler und erwähnen Sie immer die Artikelnummer / Batch code.

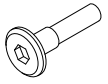
A1		x10 Ø7x24	A2		x20 Ø8x35	A3		x16 Ø5x7	A4		x8 Ø6x30
A5		x10 Ø15x13	A6		x10 Ø18	A7		x15 Ø5x50	A8		x4 Ø6x25
A9		x6 Ø17x3	A10		x2	A11		x4 Ø3,5x15	A12		x16 Ø5
A13		x1/x1 3mm/4mm	A14		x2						



A1	 x10 Ø7x24	A2	 x20 Ø8x35	A3	 x16 Ø5x7		
----	---	----	---	----	---	--	--

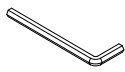


A4



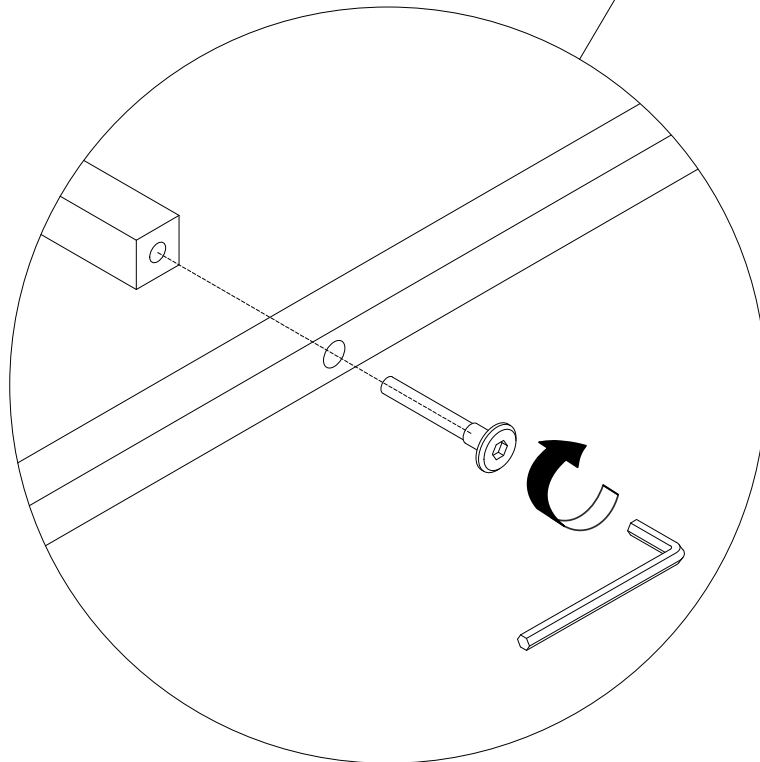
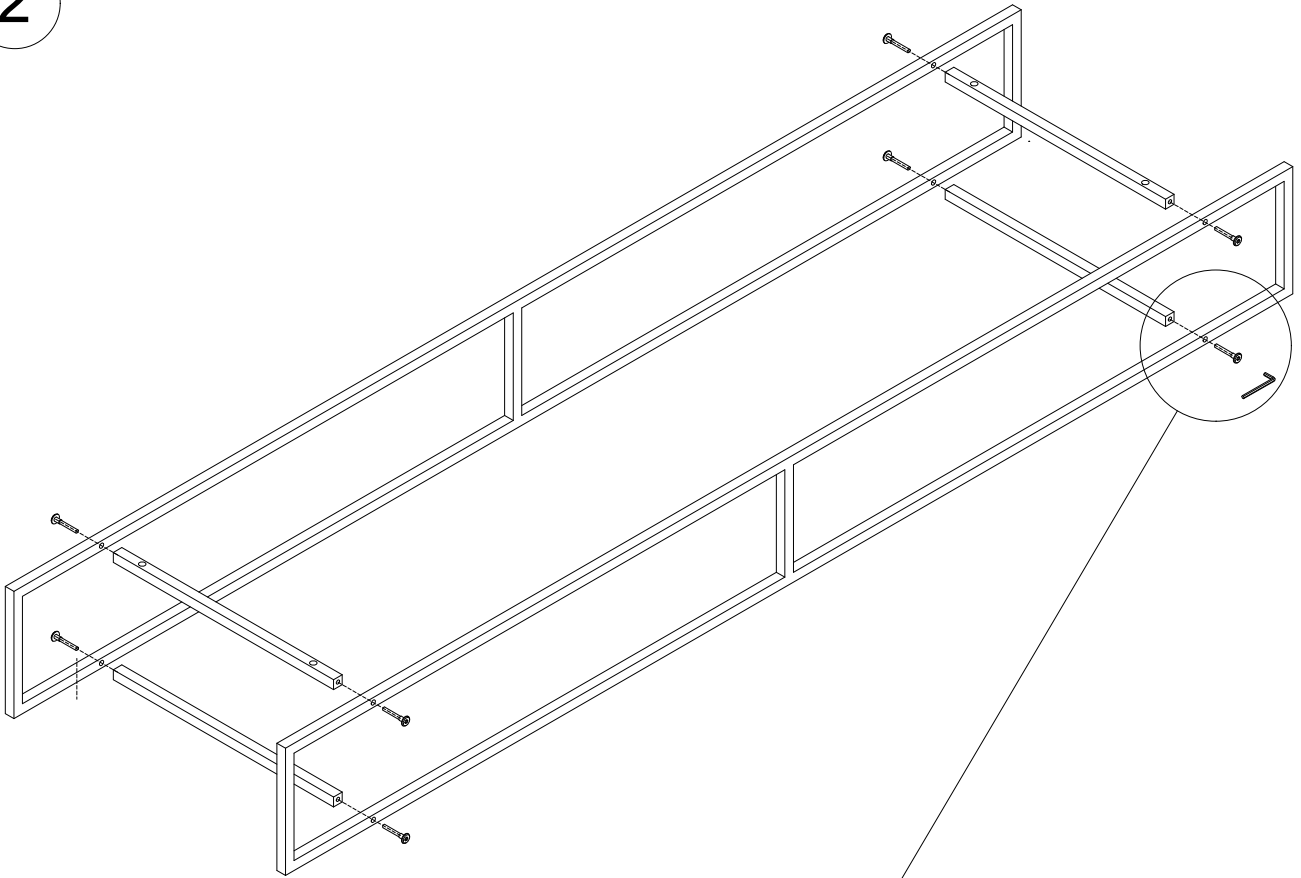
x8
Ø6x30



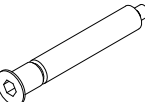
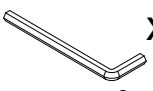
A13



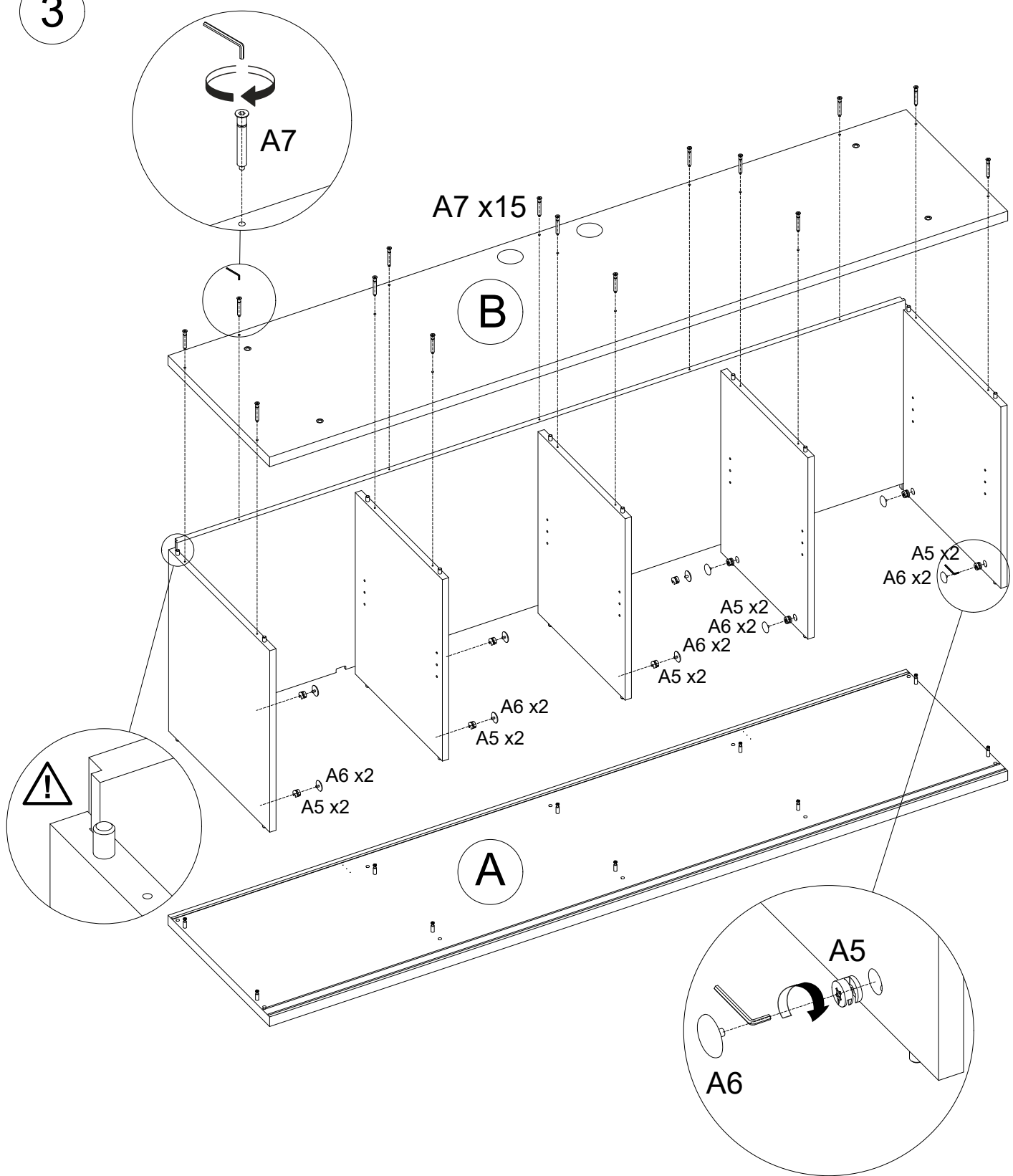
x1
4mm

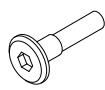

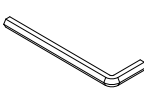
2



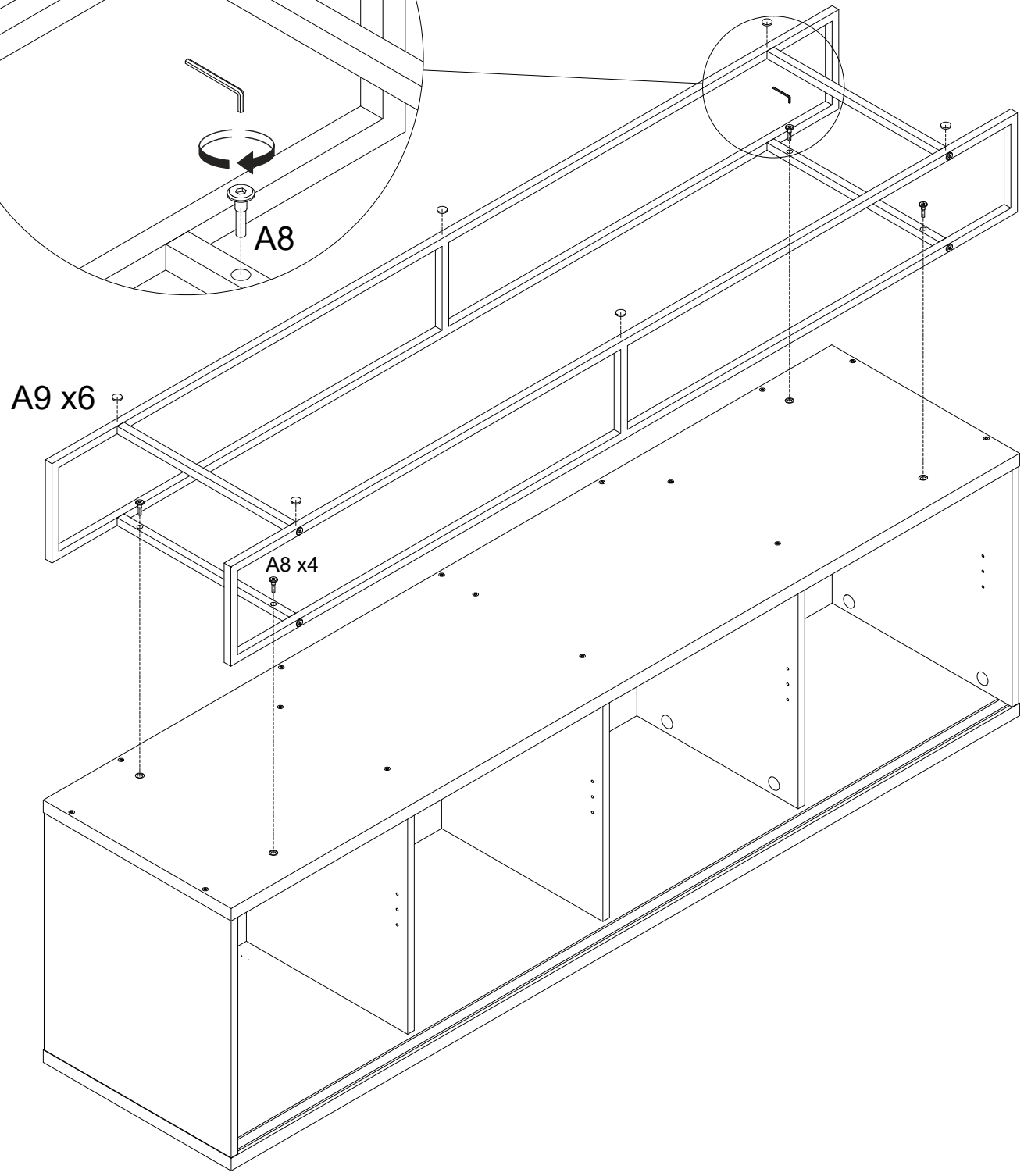
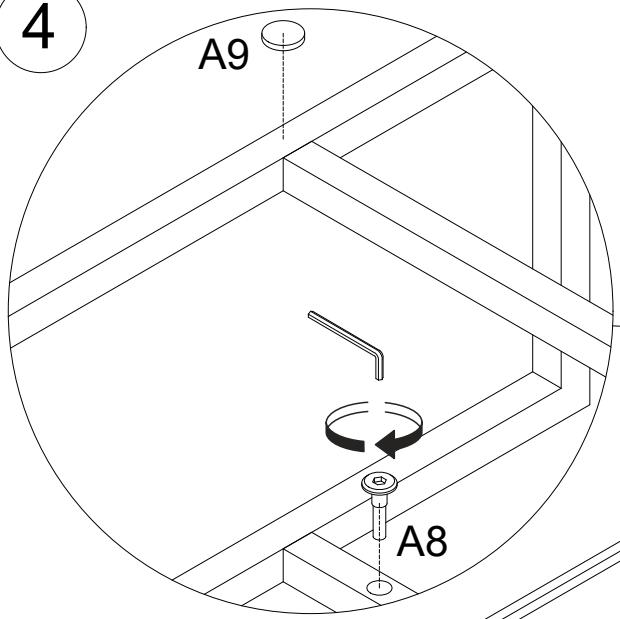
A5	 x10 Ø15x13	A6	 x10 Ø18	A7	 x15 Ø5x50	A13	 x1/x1 3mm/4mm
----	--	----	---	----	--	-----	---

3

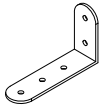


A8	 x4 Ø6x25	A9	 x6 Ø17x3	A13	 x1 4mm		
----	--	----	--	-----	---	--	--

4

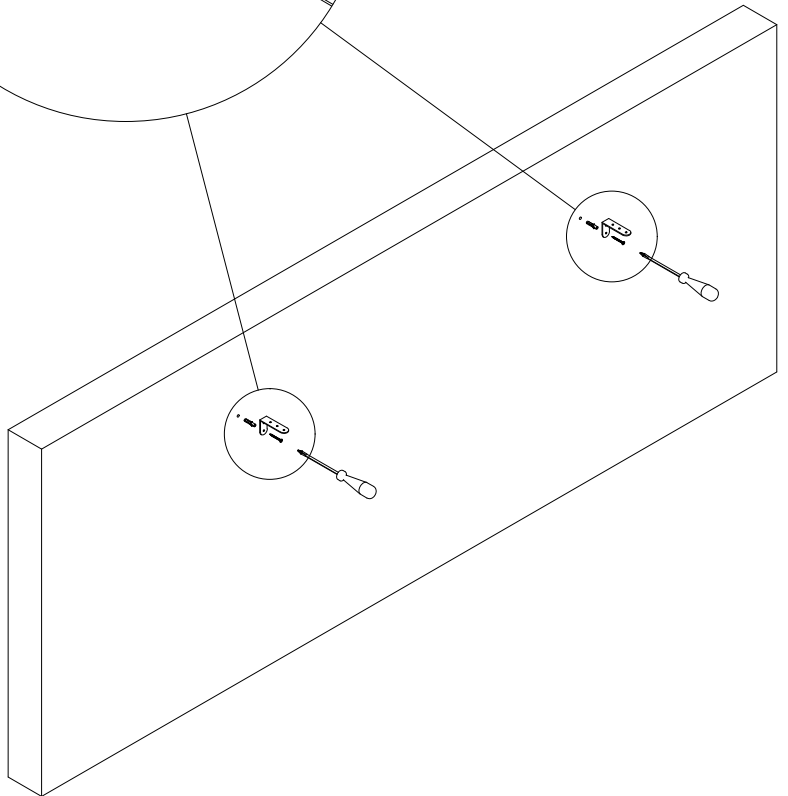
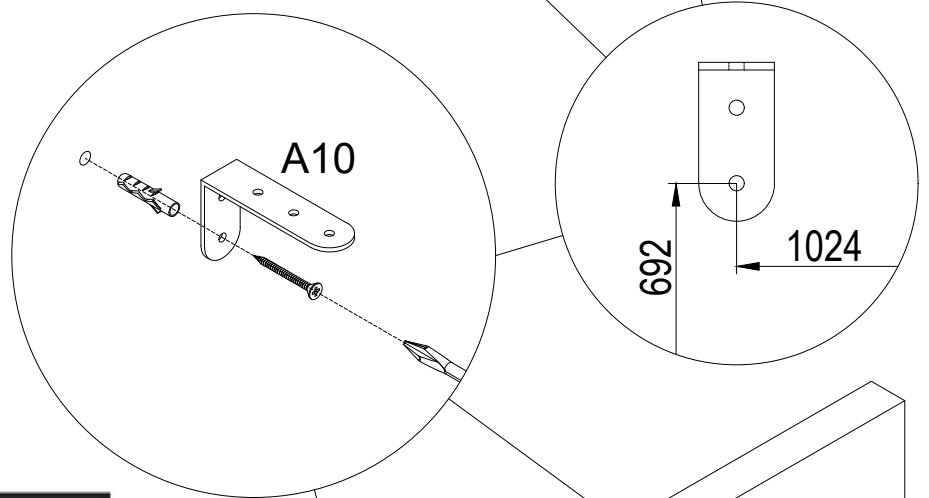
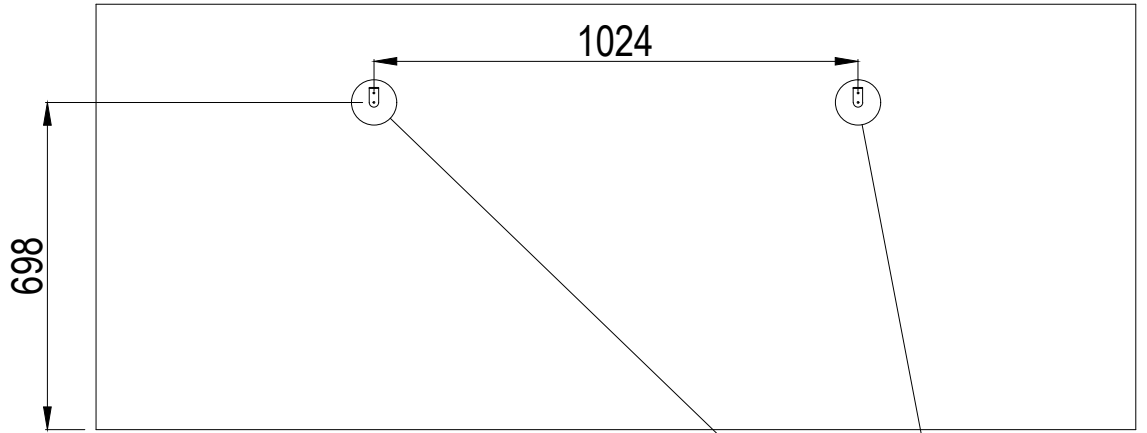


A10



x2


5



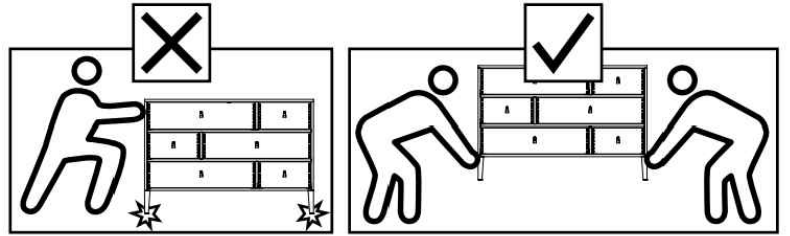
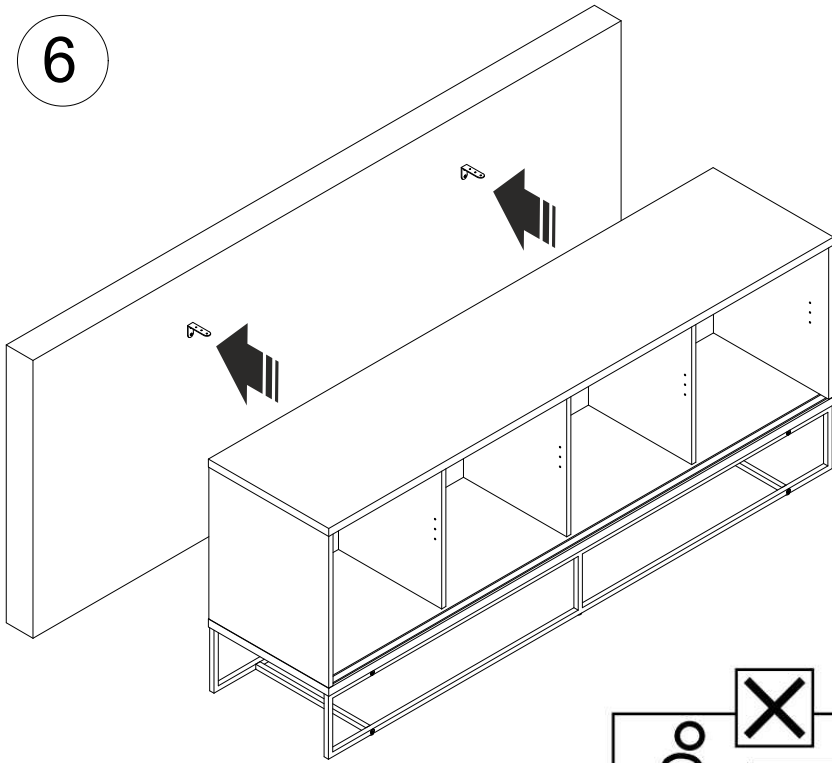
Important: When drilling into walls always check that there are no hidden wires or pipes etc.

Make sure that the screws and wall plugs being used are suitable for supporting your unit. Consult a qualified tradesperson if you are unsure.

Hints:

- 1: General rule:**  Always use a larger screw and wall plug if you are not sure.
- 2:** Ensure you use the recommended drill bit to match the wall plug and hole size.
- 3:** Ensure you drill the hole horizontally, do not force the drill or enlarge the hole.
- 4:** Take extra care when drilling high walls, ceilings and ceramic tiles. Ensure wall plugs are inserted beyond the thickness of the ceramic tiles to avoid the tiles splitting or cracking.
- 5:** Ensure wall plugs are well fitted and are a tight fit in the drilled hole.

6

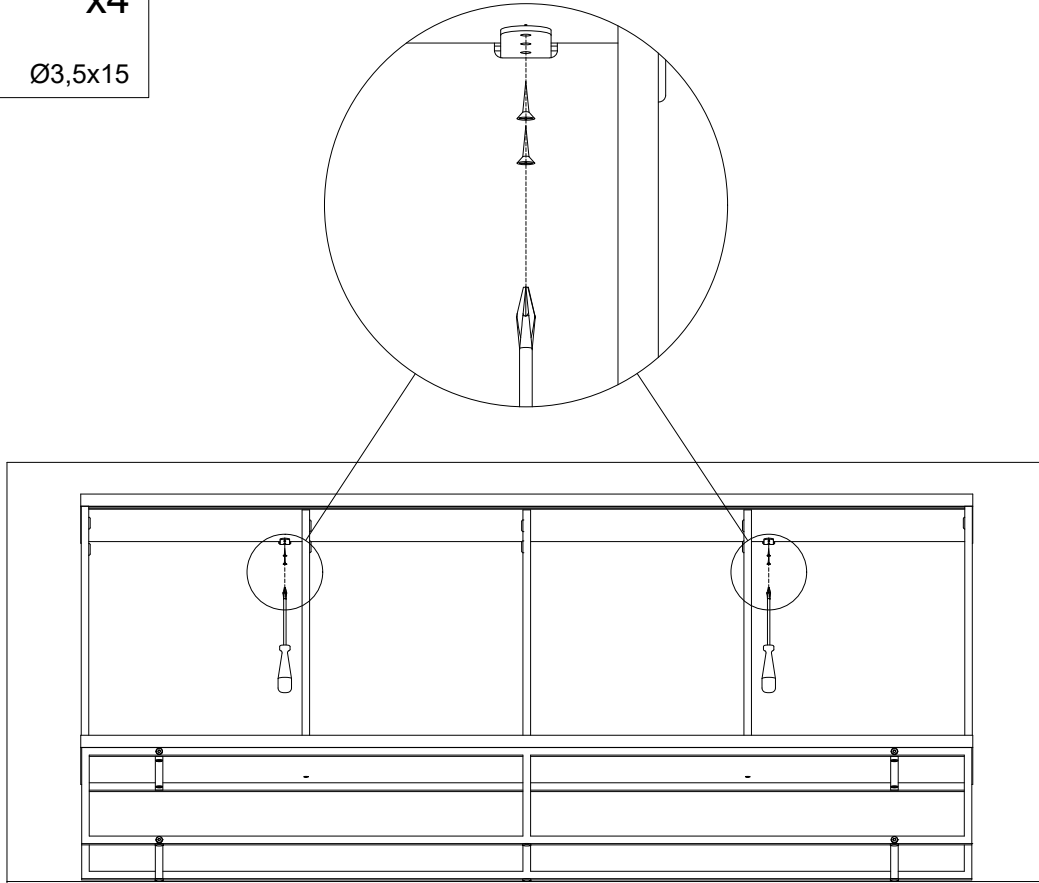


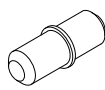

A11

x4

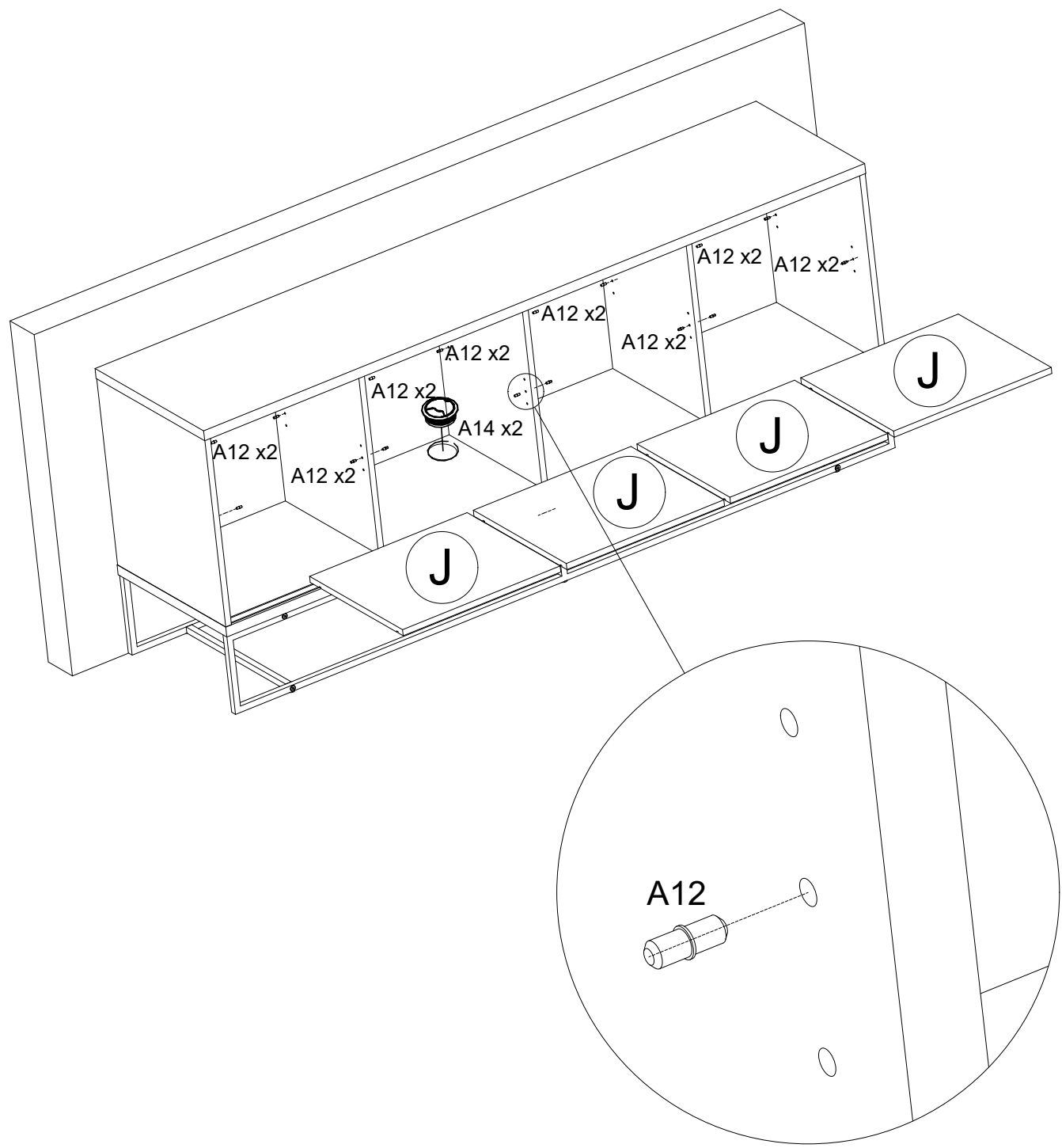
Ø3,5x15

7

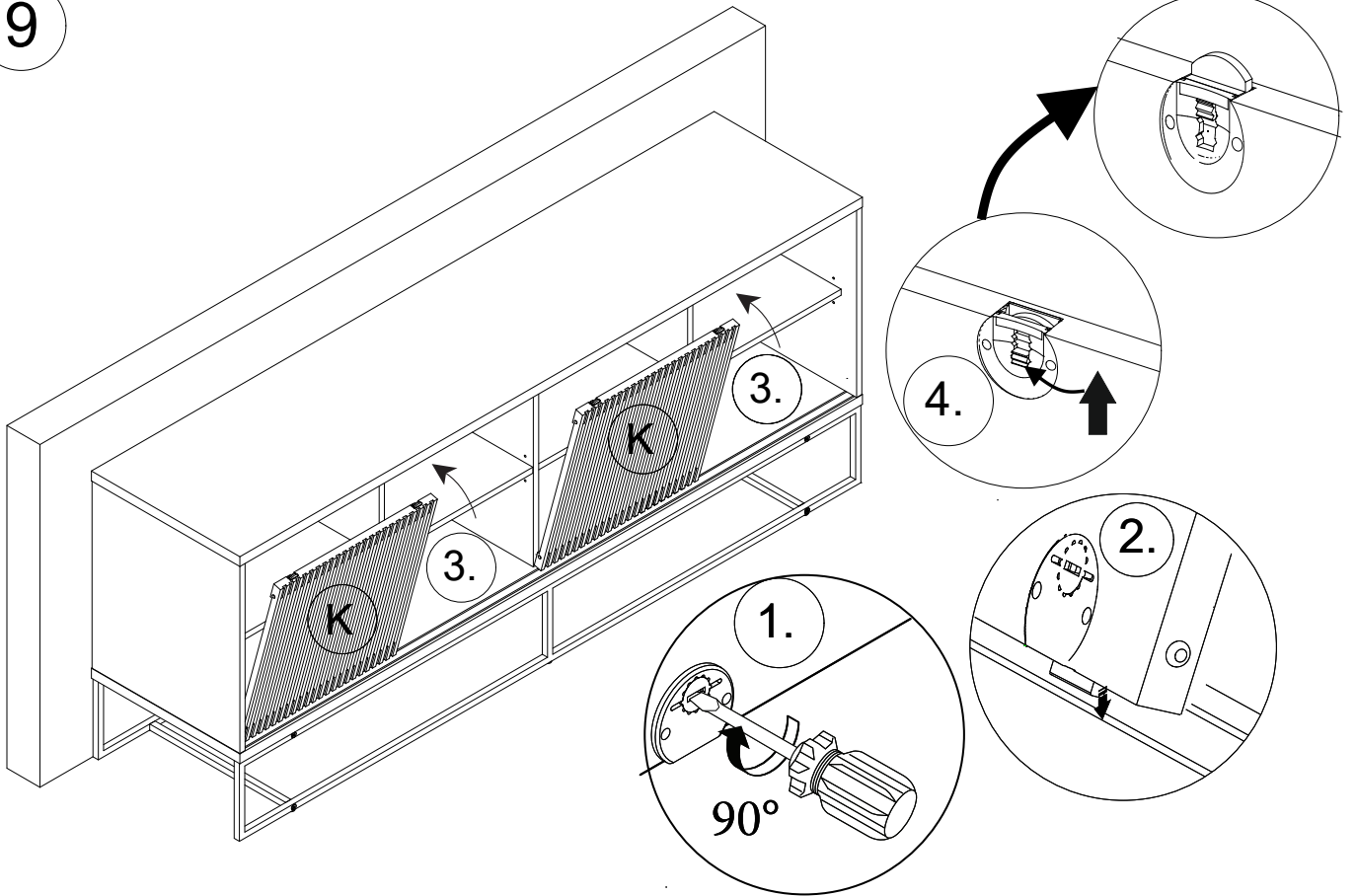


A12	 x16 Ø5	A14	 x2				
-----	--	-----	---	--	--	--	--

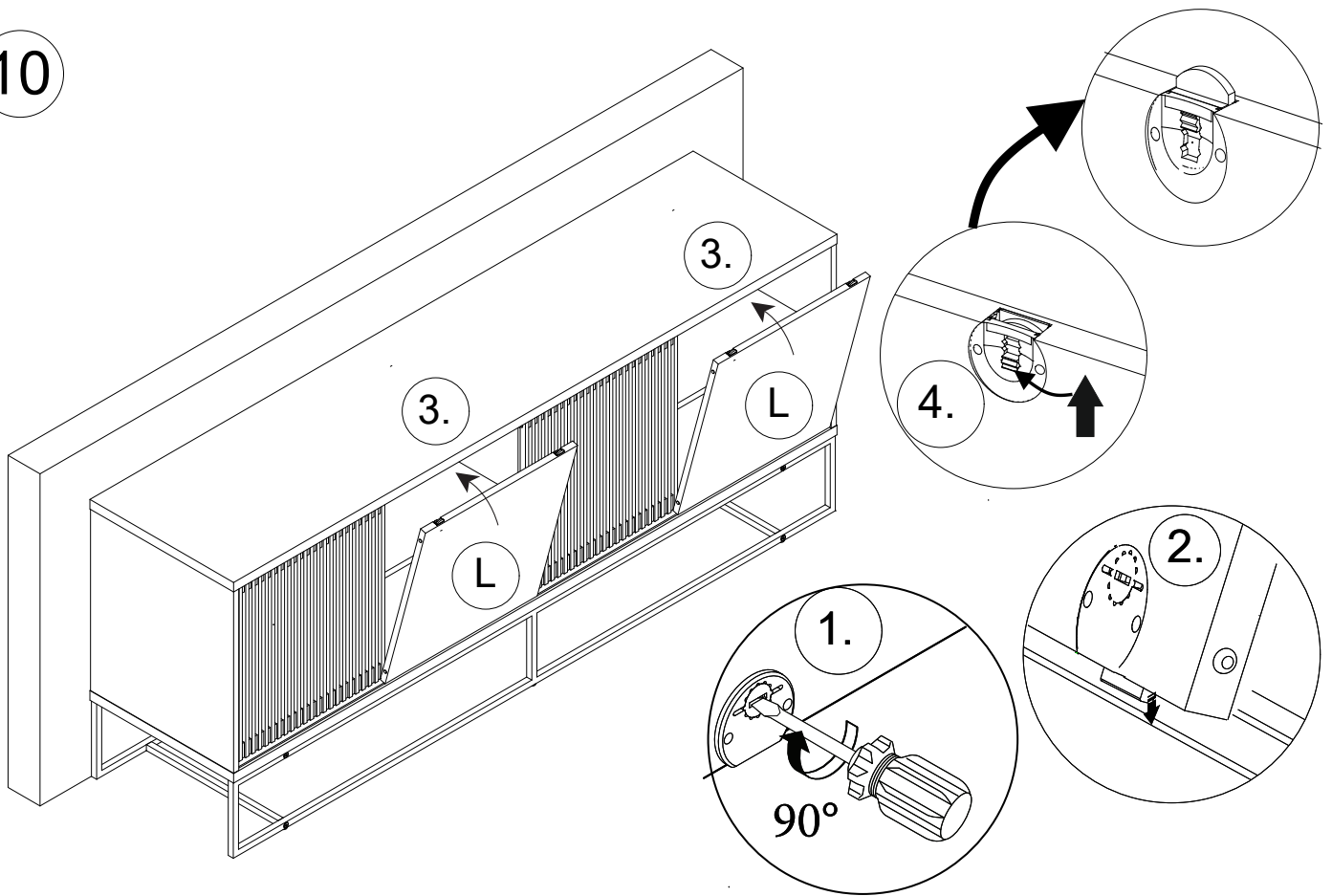
8



9



10



Safety and Care Advice

General care and maintenance

Only clean using a damp cloth and mild detergent, do not use bleach or abrasive cleaners.

From time to time check that there are no loose screws on this unit.

This product should not be discarded with household waste. Take to your local authority waste disposal centre.

Cleaning and care of lacquered surfaces

Regular dusting with a dry cloth will keep your units clean.

Clean marks with a damp cloth.

Do not use abrasive cleaners.

Do not clean with products containing following:

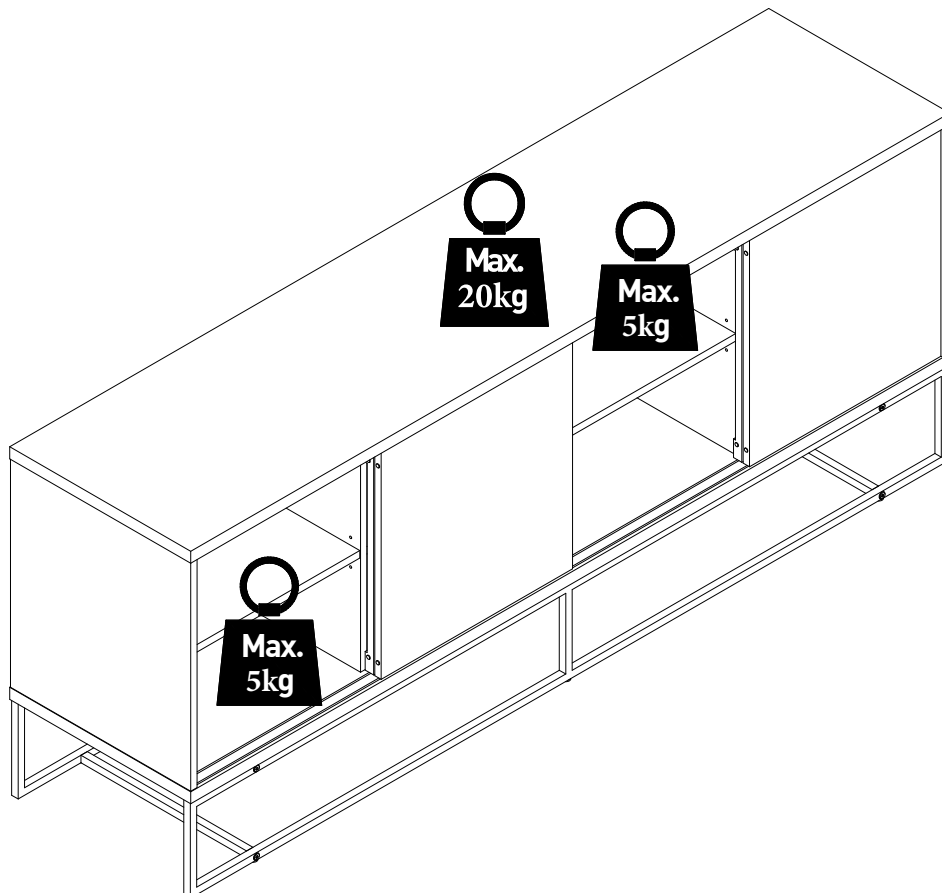
Acetone (e.g. nail varnish remover), Ammonia (e.g. bleach) or Sodium hydroxid (e.g. Caustic soda, drain and oven cleaners).

To remove stubborn stain, wipe over with damp cloth and washing up liquid.

In the event of accidental contact with aggressive cleaners, rinse thoroughly with water. Use place mats to protect the surface from moisture and heat.

Maximum weight limit

Important: Recommended maximum load for each shelf is shown below.



Care and maintenance

Safety: Periodically check all fittings to ensure they have not come loose and retighten as necessary