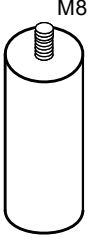
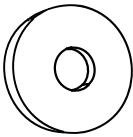
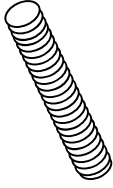


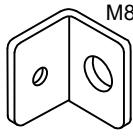

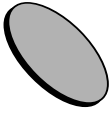
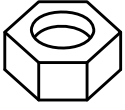
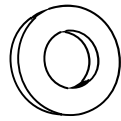
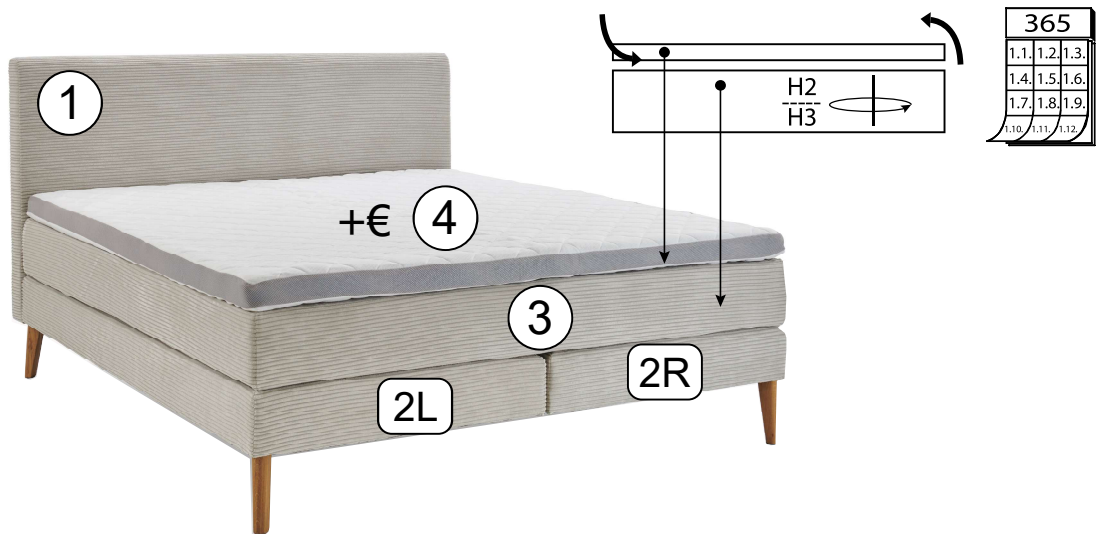
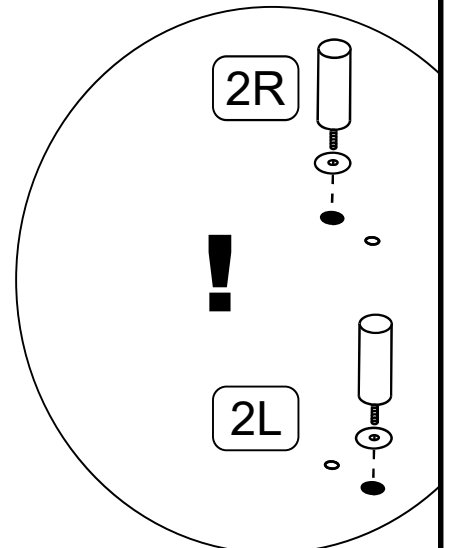
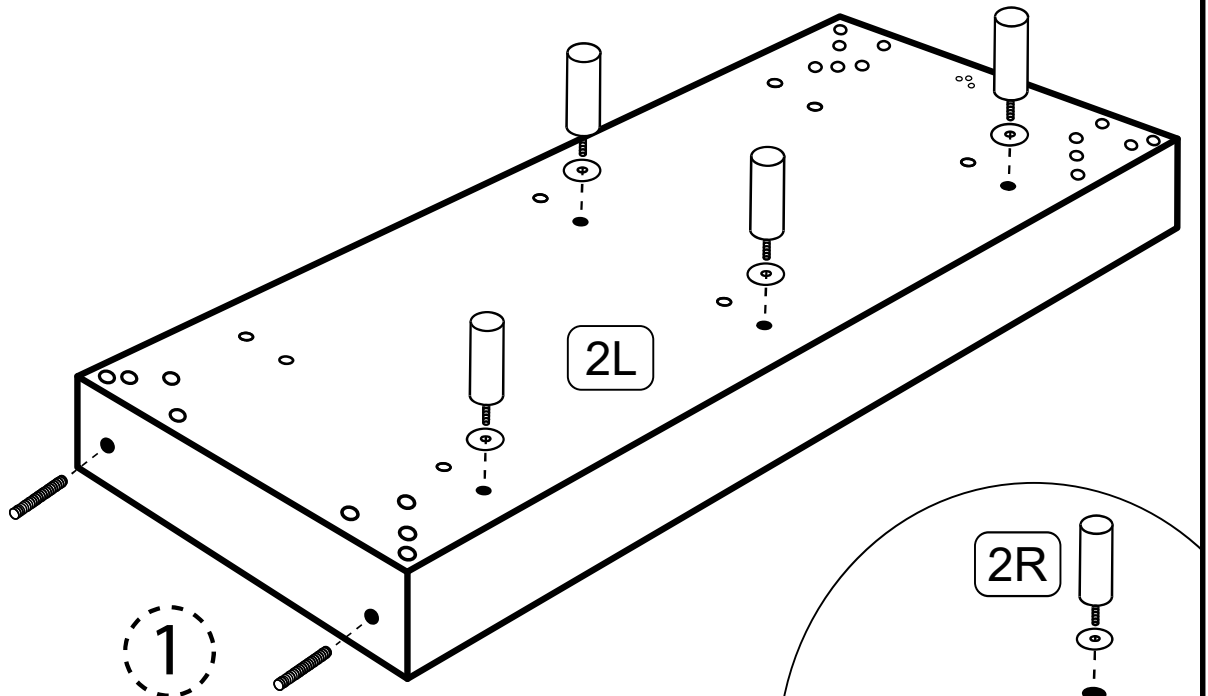
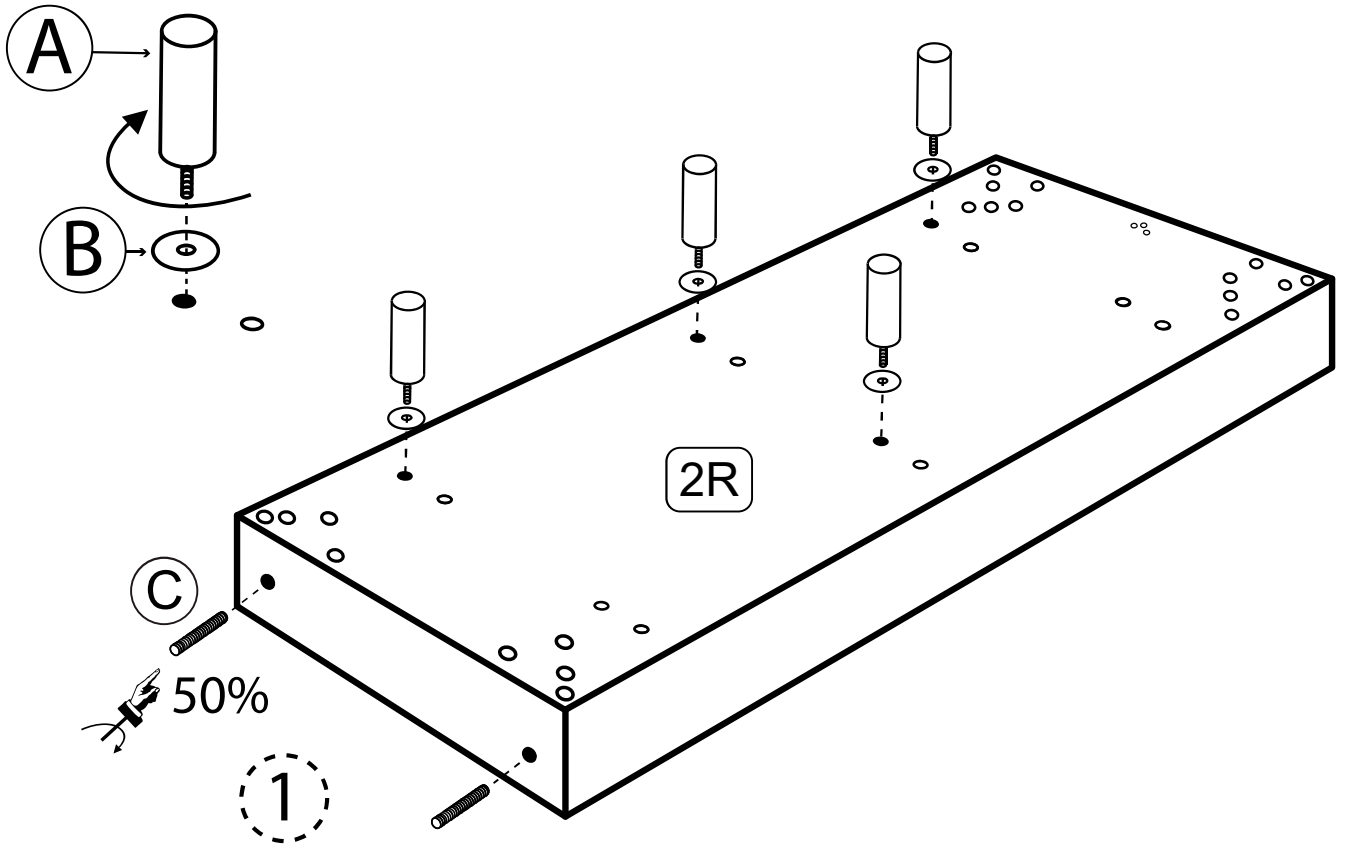


A-82	B-82	C-82	D-82	E-82	F-82	G-82	H-82	I-82
8	12	5	2	2	2	4	-	12
							-	
H 200	M8*40	M8*80	M8	4*30	50*50	H 200	-	
J-82	K-82	L-82	M-82	N-82	OL/OR-82	P-82	Q-82	R-82
-	4	4	-	-		-	-	-
-			-	-	-	-	-	-
	M8	M8*35						
S-82	T-82	U-82	V-82	W-82	X-82	Y-82	Z-82	AA-82
-	-	-	-	-	-	-	-	-
-	-	-	-	-	-	-	-	-

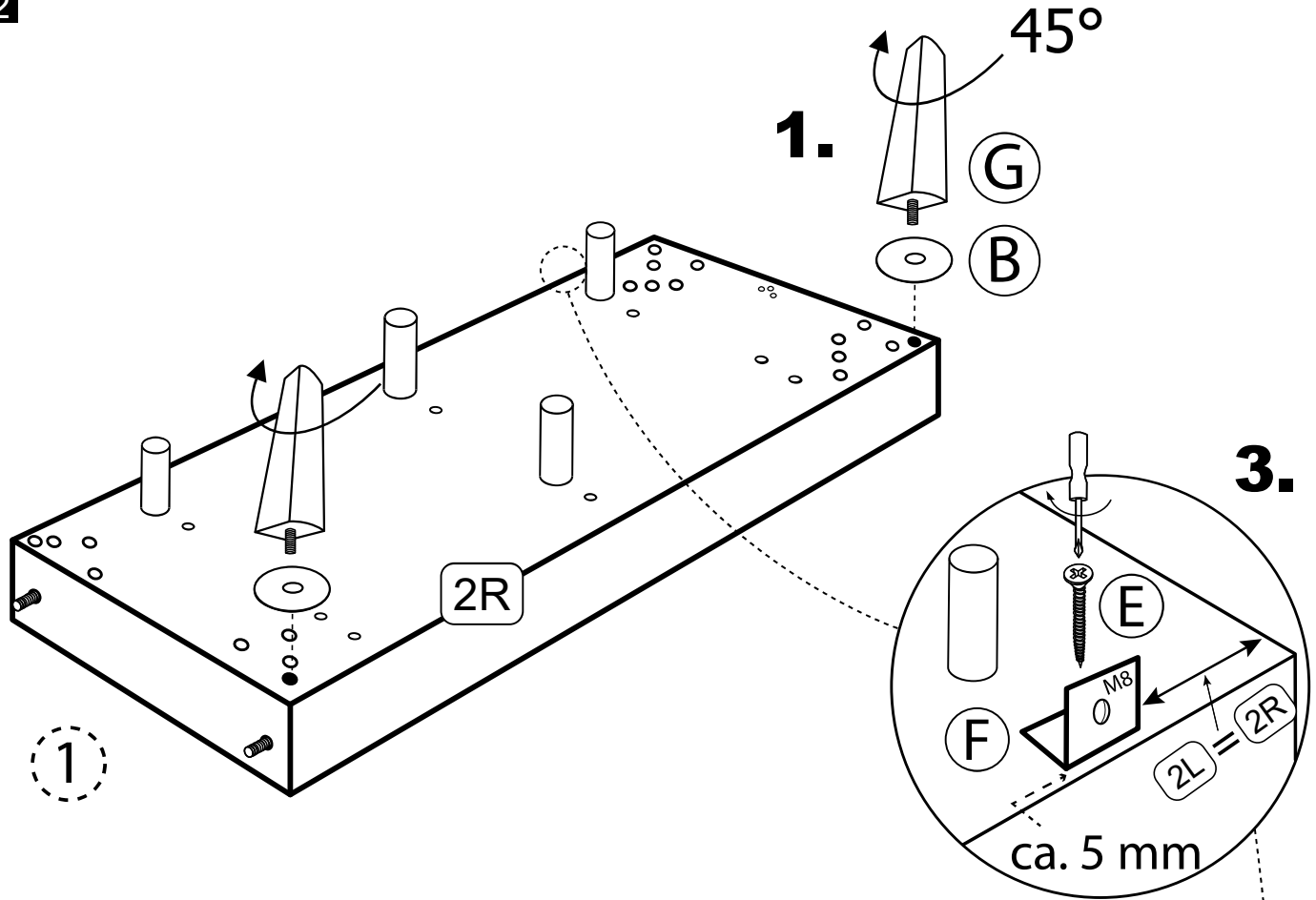


		 60 min			 < 120 KG < 120 KG				
---	---	--	---	---	---	--	--	--	--

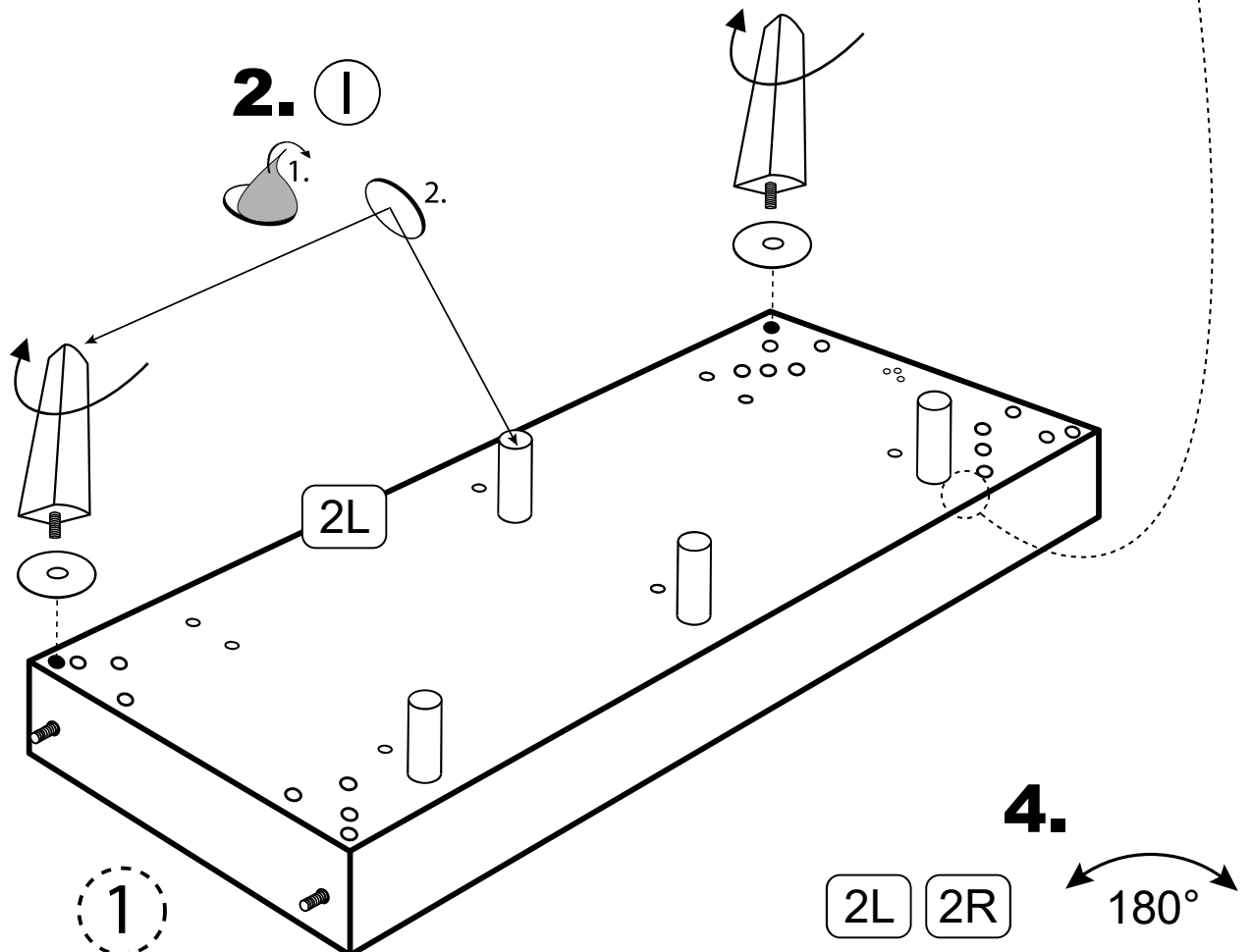
**1**



2

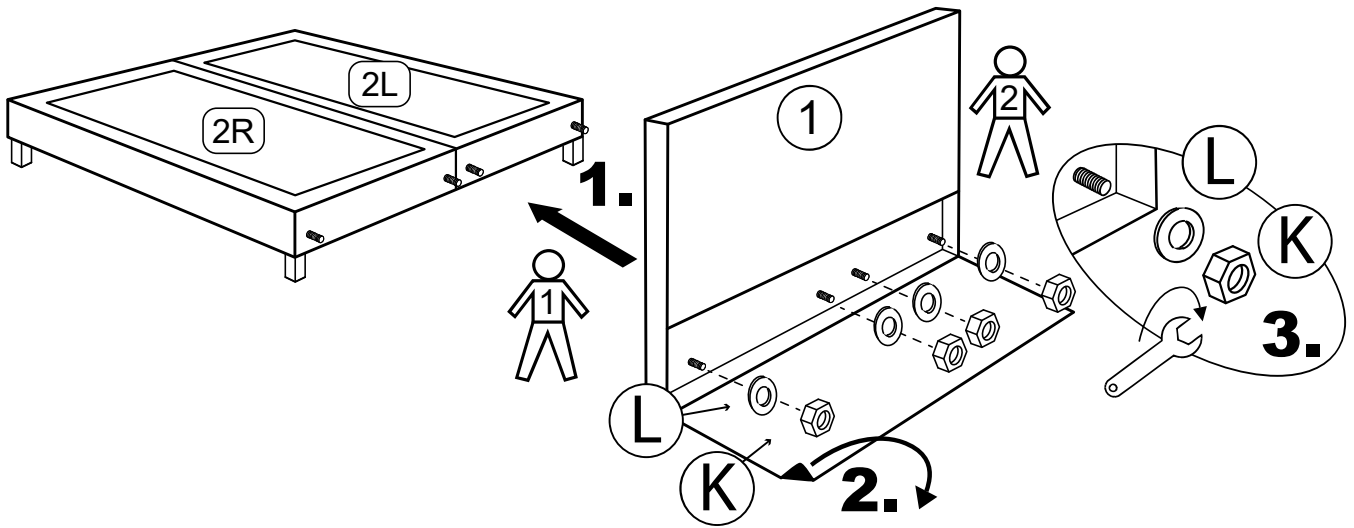


1

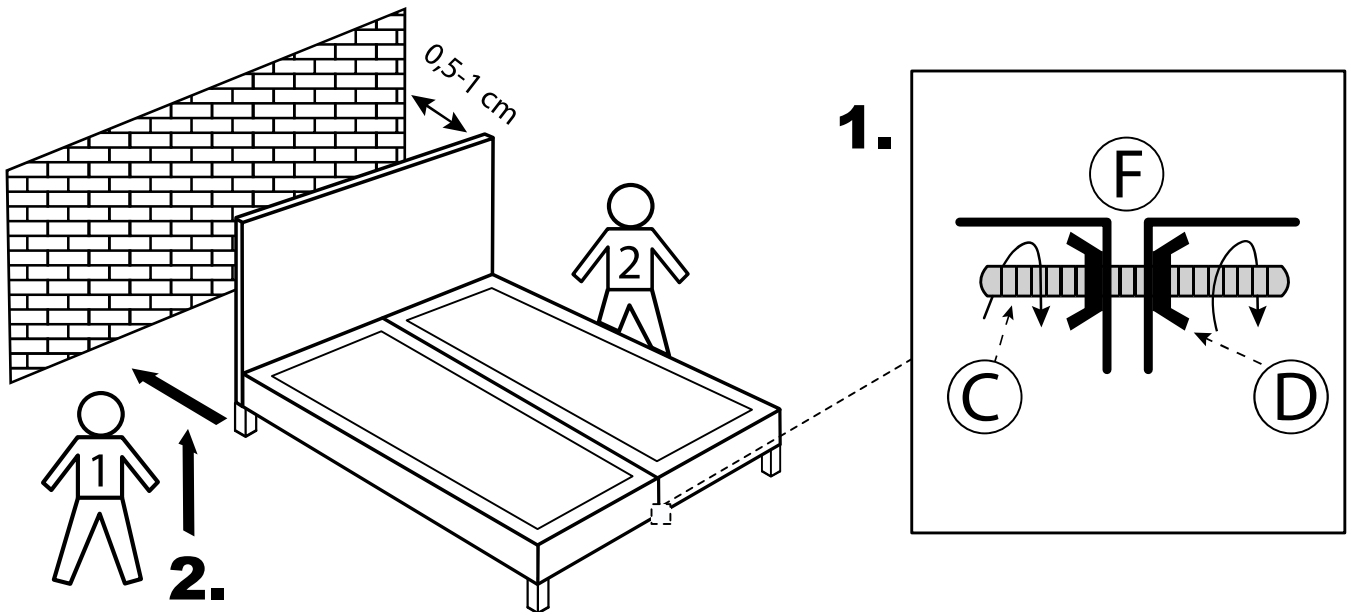


1

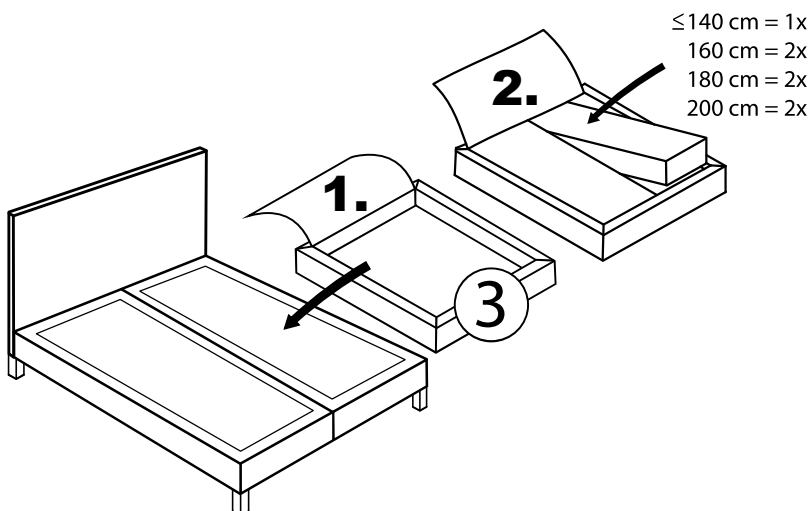
**3**



**4**



**5**



**6**

