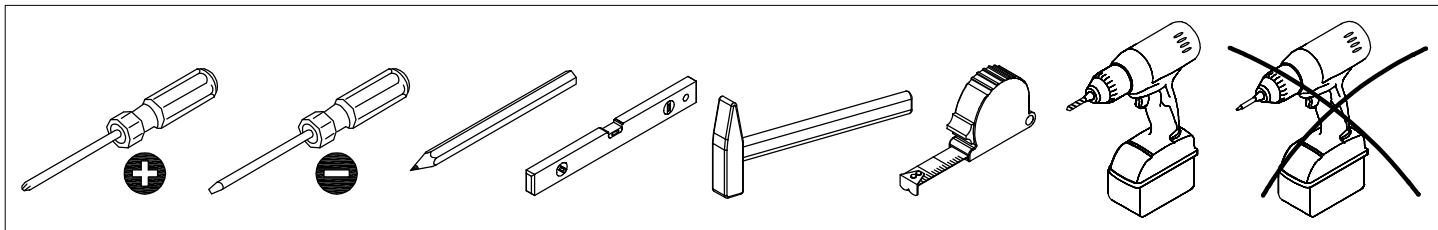
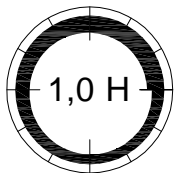
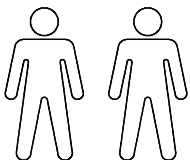
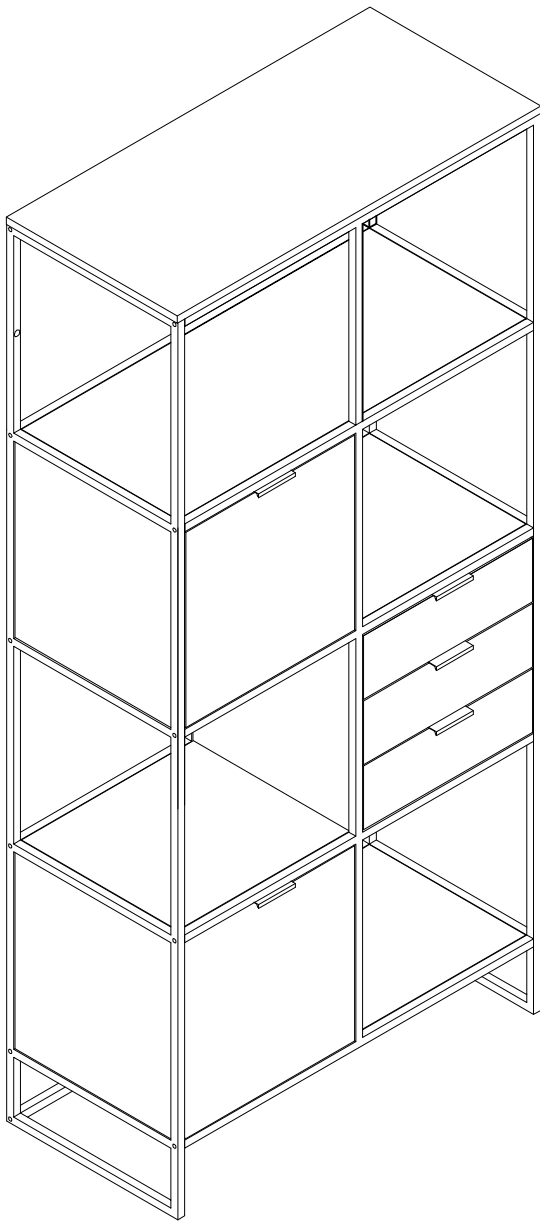
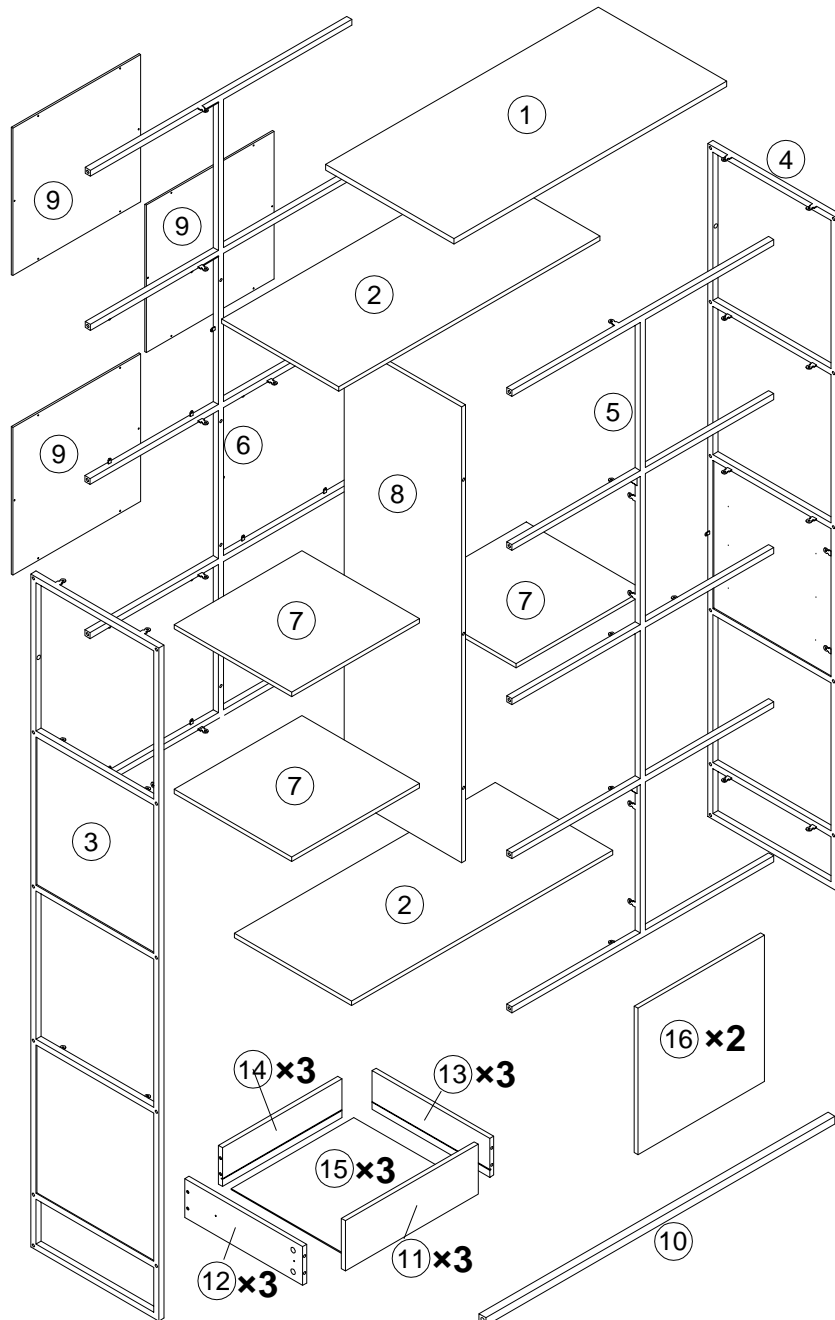


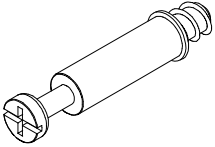
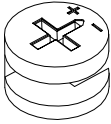
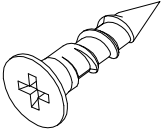
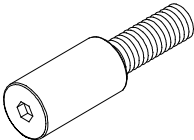
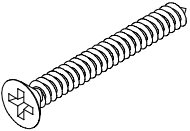
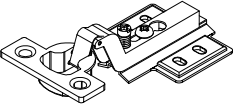
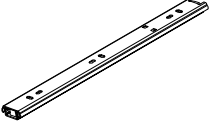
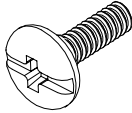
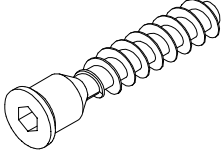
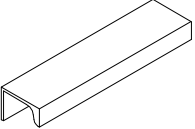
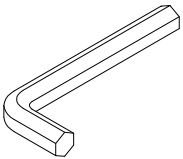
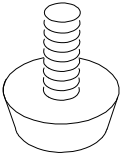
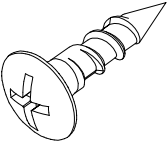
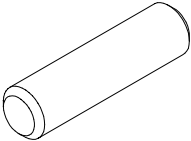
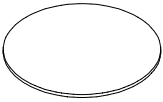
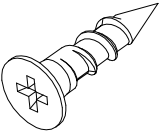
SWINDON



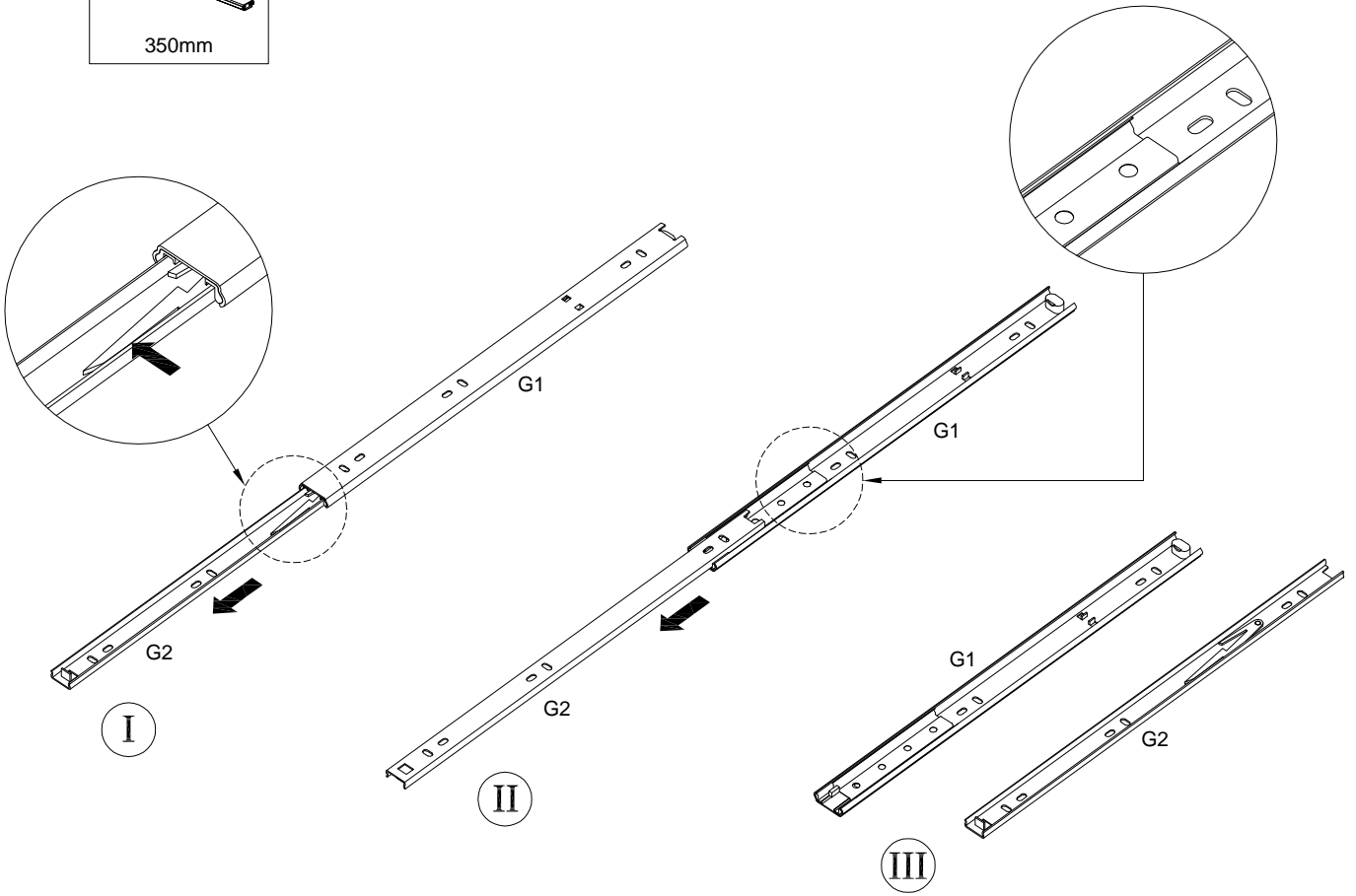
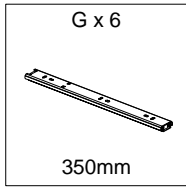
			✓
①	1	850X400X15	
②	2	815X367X12	
③	1	1815X400X42	
④	1	1815X400X42	
⑤	1	1680X816X42	
⑥	1	1680X816X42	
⑦	3	399X367X12	
⑧	1	1234X367X15	

			✓
⑨	3	399X399X4.75	
⑩	1	816X16X16	
⑪	3	395X130X12	
⑫	3	350X90X12	
⑬	3	350X90X12	
⑭	3	355X90X12	
⑮	3	365X347X2.75	
⑯	2	395X395X12	

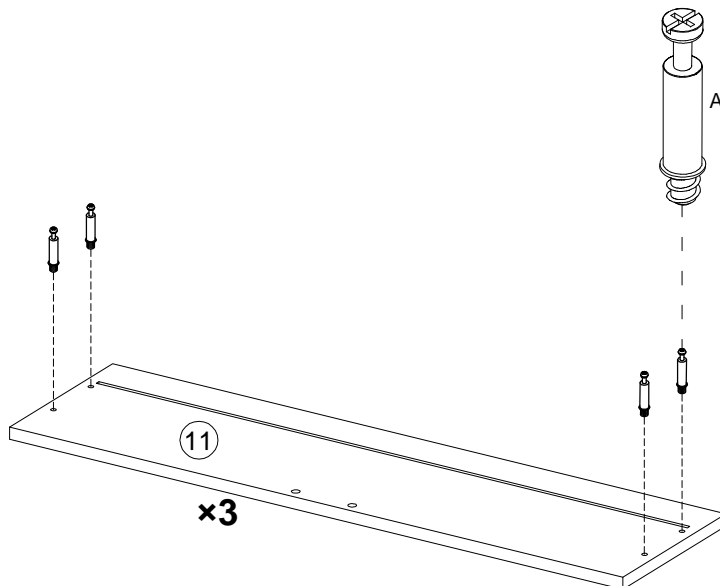
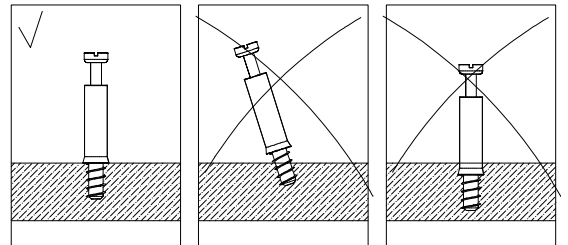
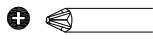
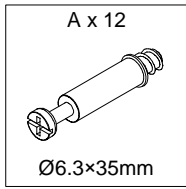


<p>A x 12</p>  <p>Ø6.3×35mm</p>	<p>B x 12</p>  <p>Ø15×9mm</p>	<p>C x 54</p>  <p>Ø3.5×12mm</p>	<p>D x 22</p>  <p>M6×15mm</p>	<p>E x 12</p>  <p>Ø4×35mm</p>
<p>F x 4</p>  <p>Ø35/FK17</p>	<p>G x 6</p>  <p>350mm</p>	<p>H x 18</p>  <p>M6×10mm</p>	<p>J x 4</p>  <p>Ø7×38mm</p>	<p>K x 5</p>  <p>80×32×18mm</p>
<p>L x 1</p>  <p>4mm</p>	<p>M x 4</p>  <p>M6/Ø13mm</p>	<p>N x 34</p>  <p>Ø4×12mm</p>	<p>P x 3</p>  <p>Ø6×30mm</p>	<p>Q x 12</p>  <p>Ø20mm</p>
<p>R x 4</p>  <p>Ø3.5×12mm</p>				

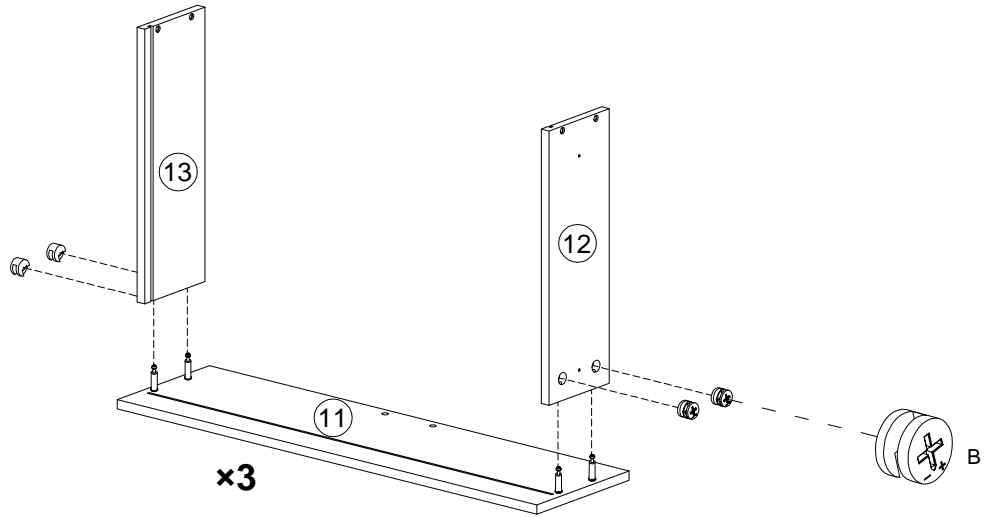
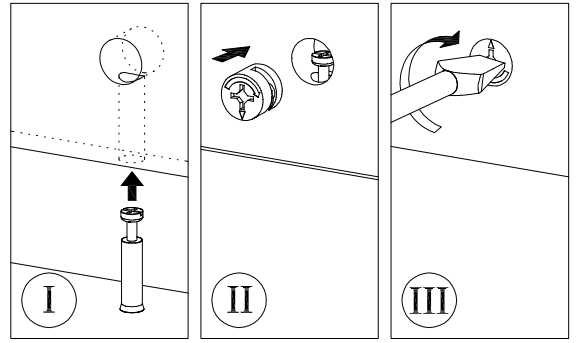
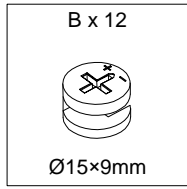
1



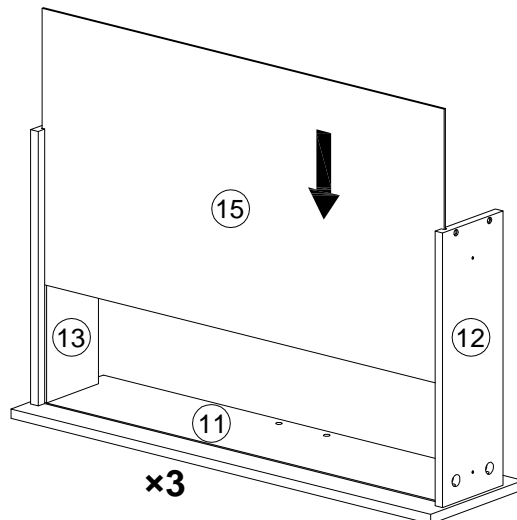
2



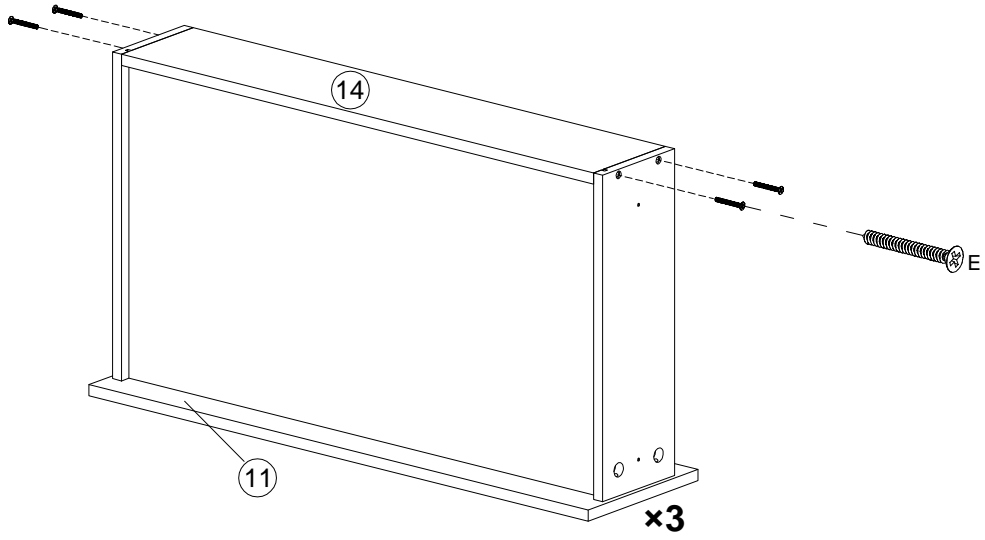
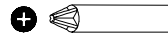
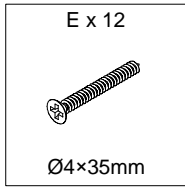
3



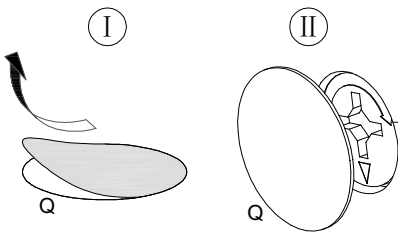
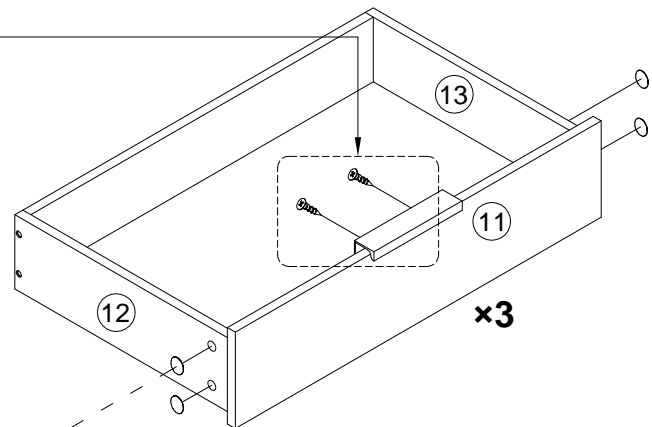
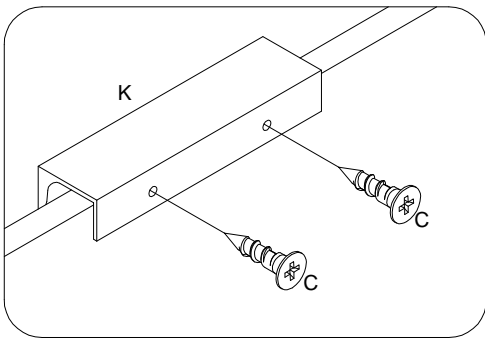
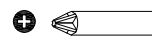
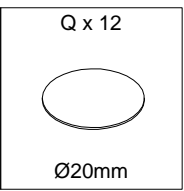
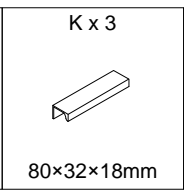
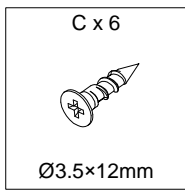
4



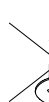
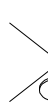


5

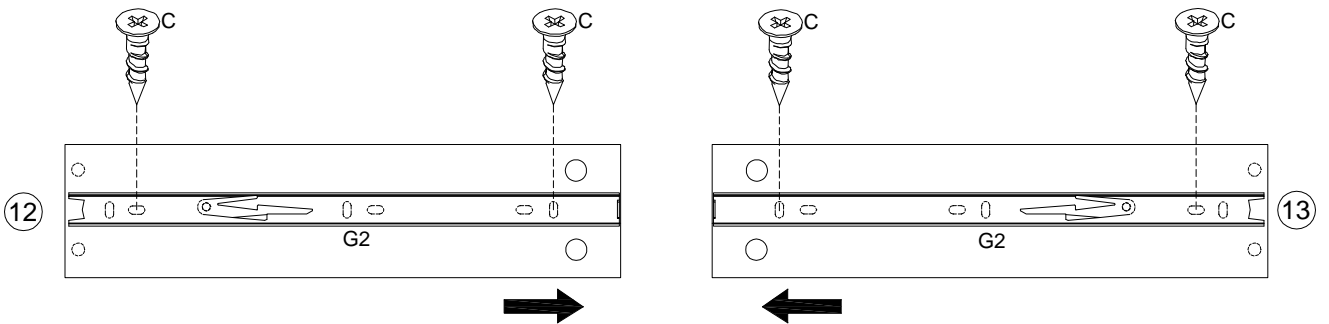
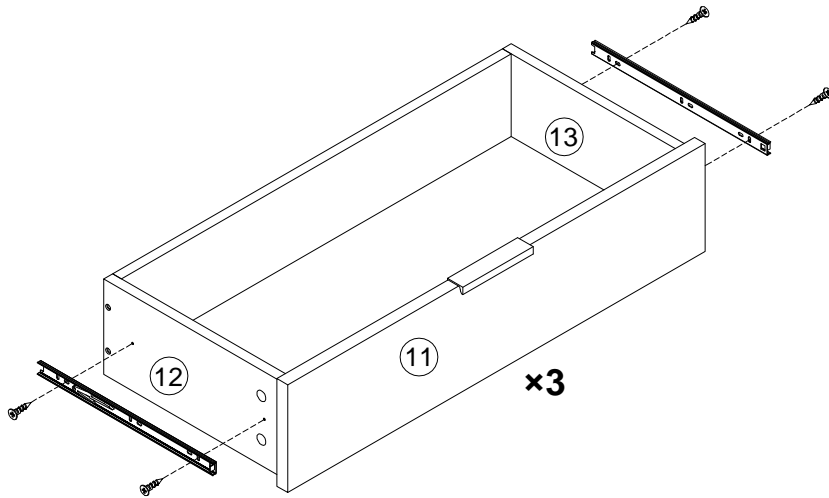
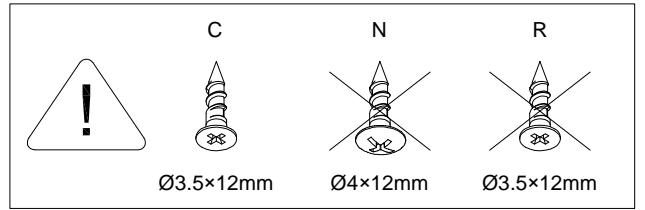
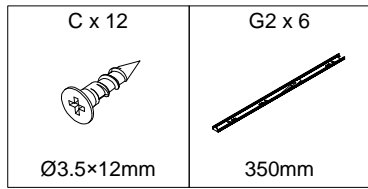


6

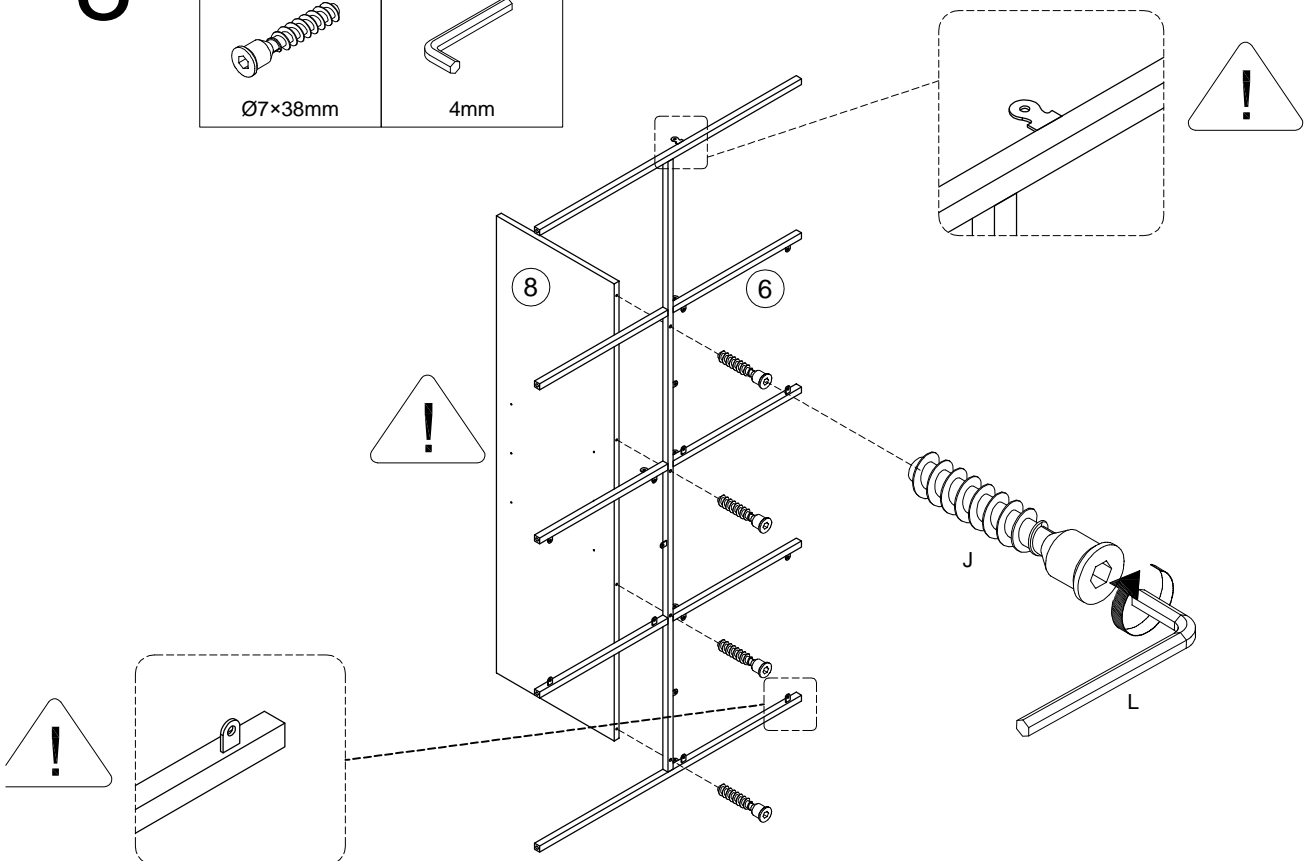
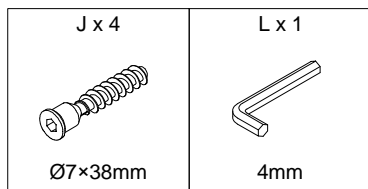


			
	Ø3.5×12mm	Ø4×12mm	Ø3.5×12mm

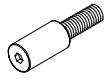
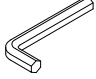
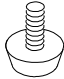
7

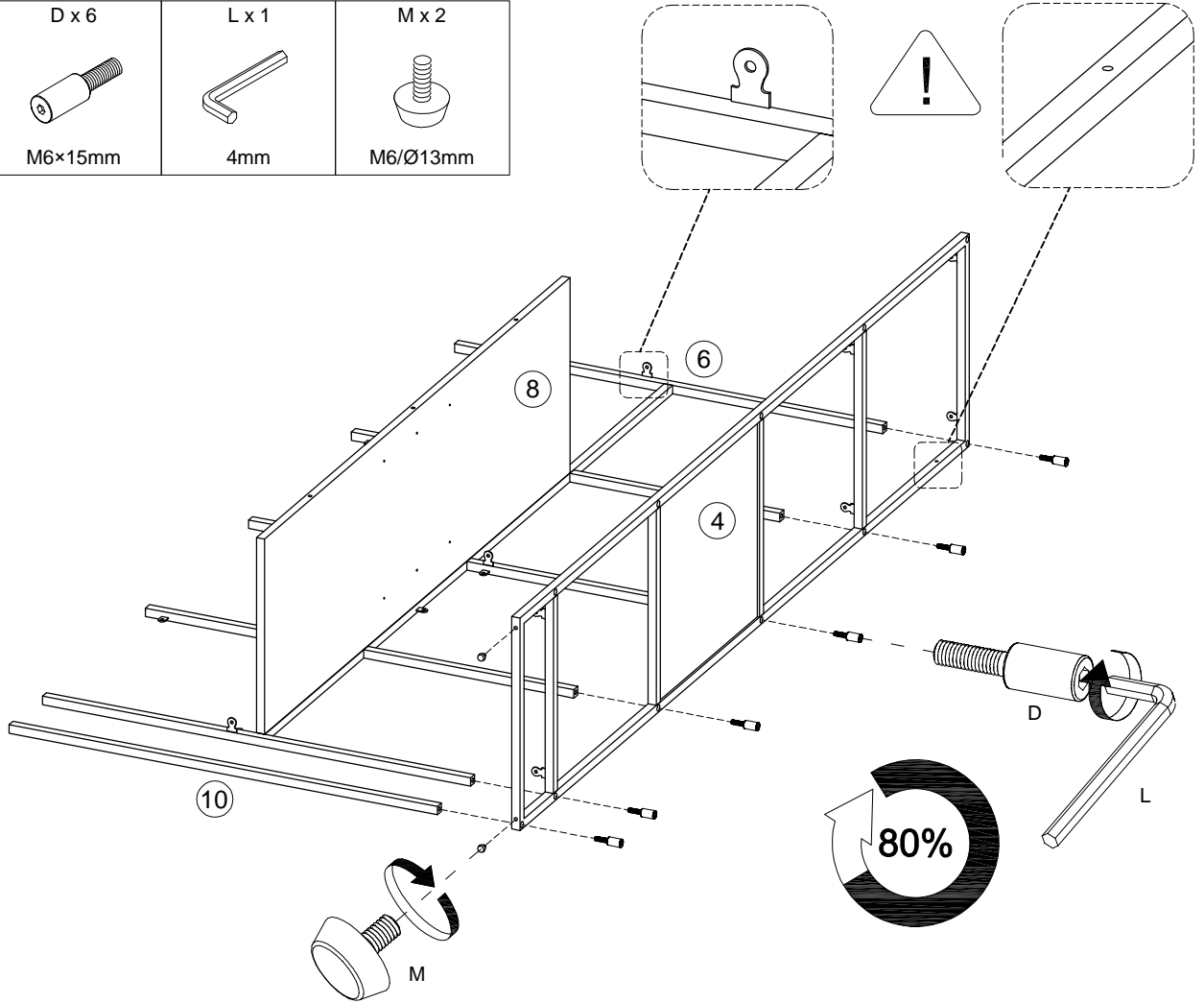


8

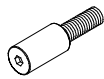
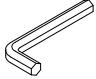
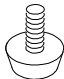


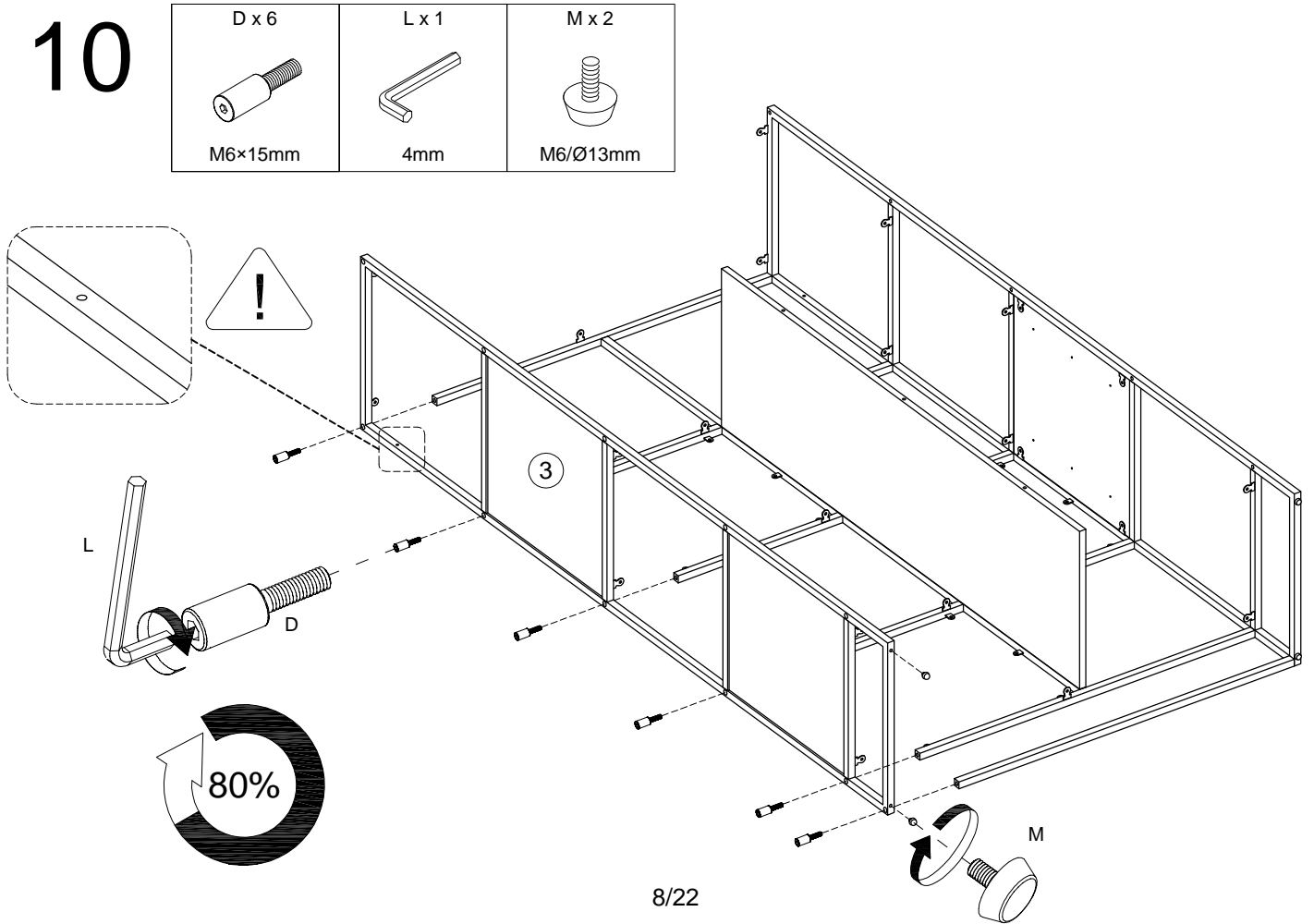
9

D x 6  M6x15mm	L x 1  4mm	M x 2  M6/Ø13mm
---	---	--

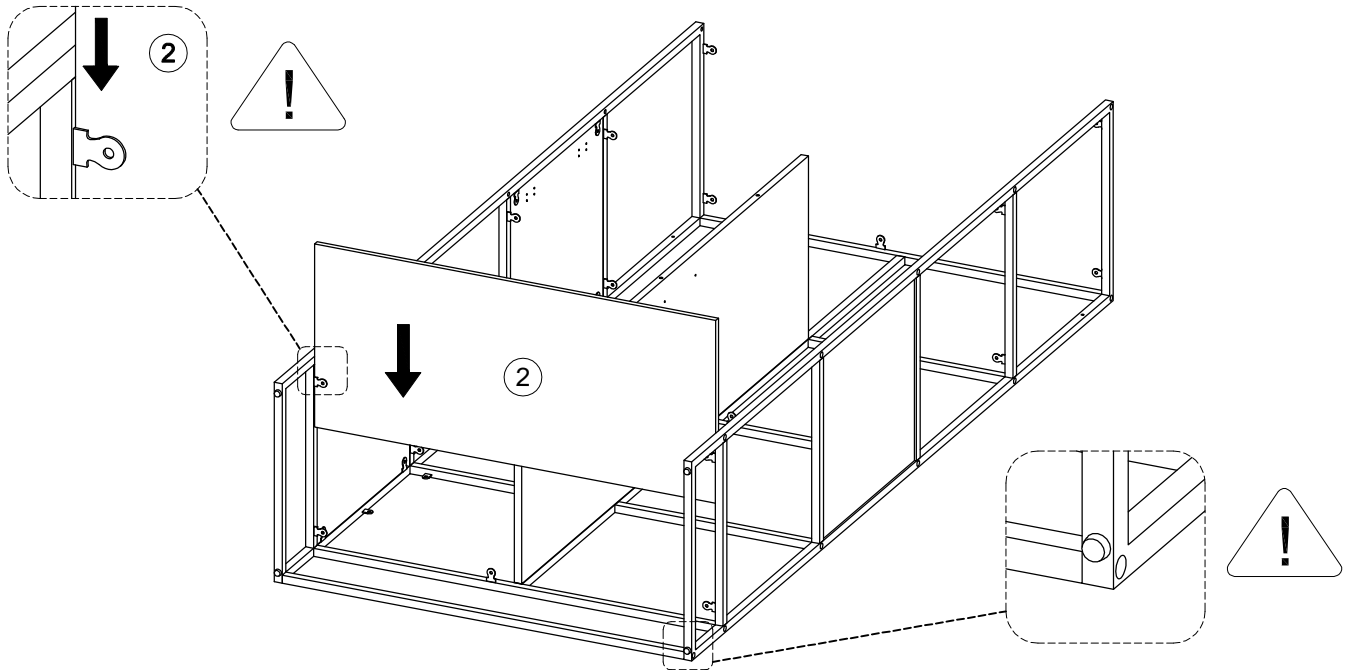


10

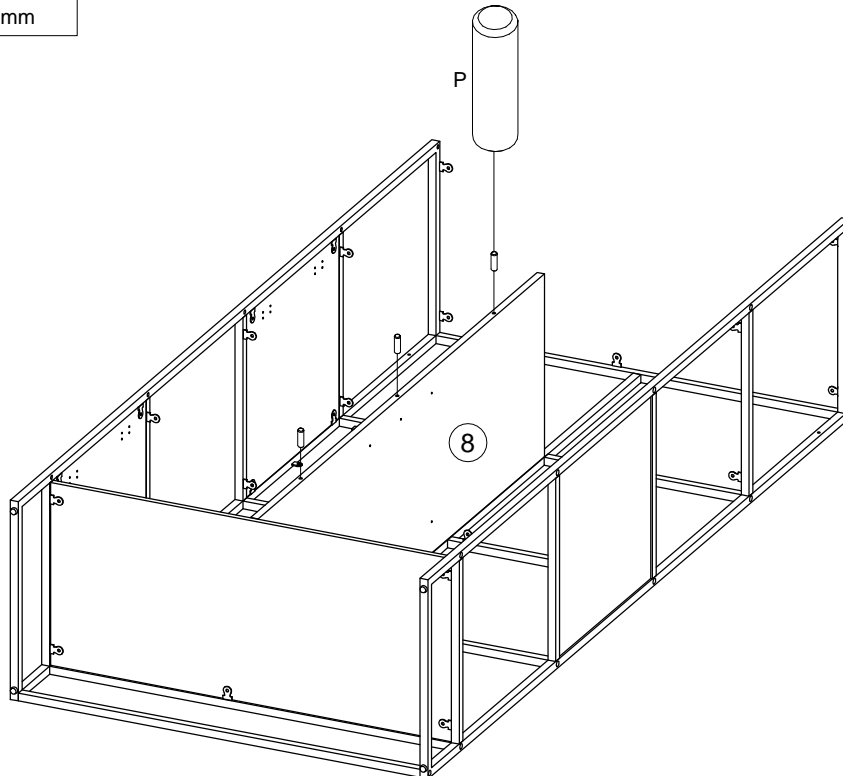
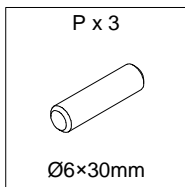
D x 6  M6x15mm	L x 1  4mm	M x 2  M6/Ø13mm
---	---	--



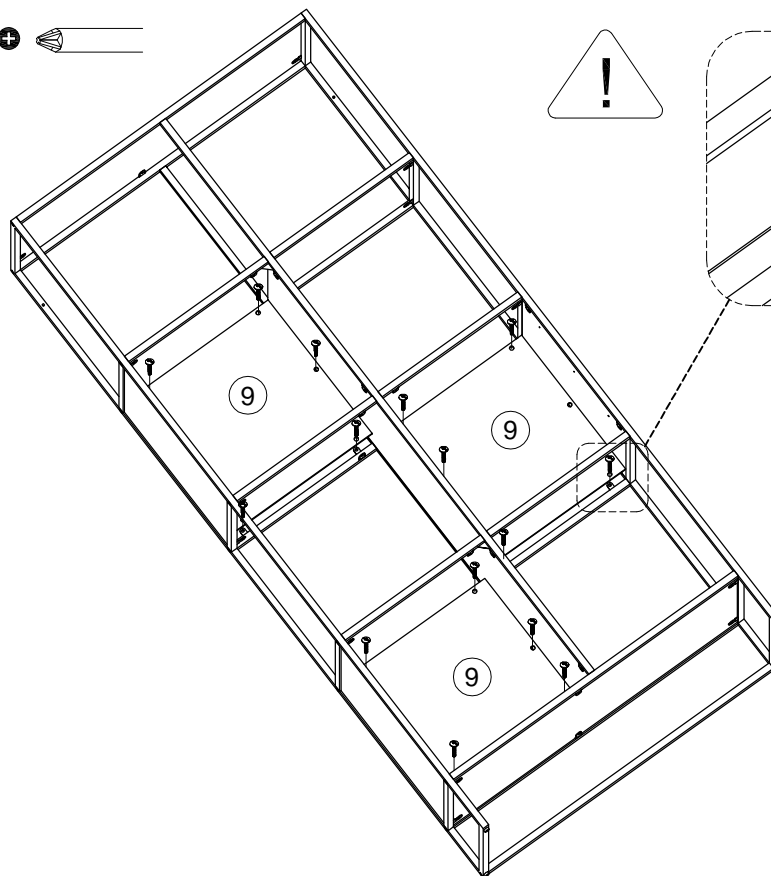
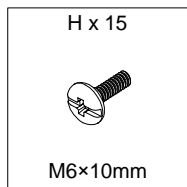
11



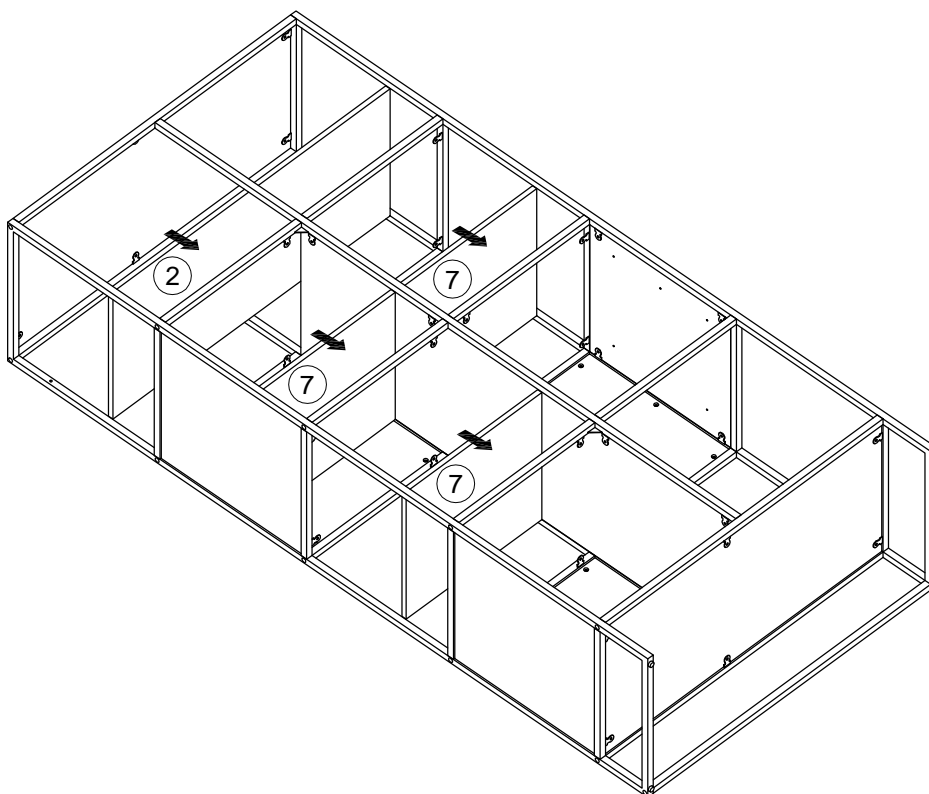
12



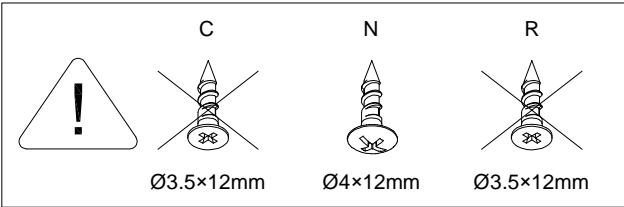
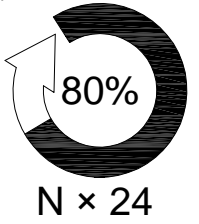
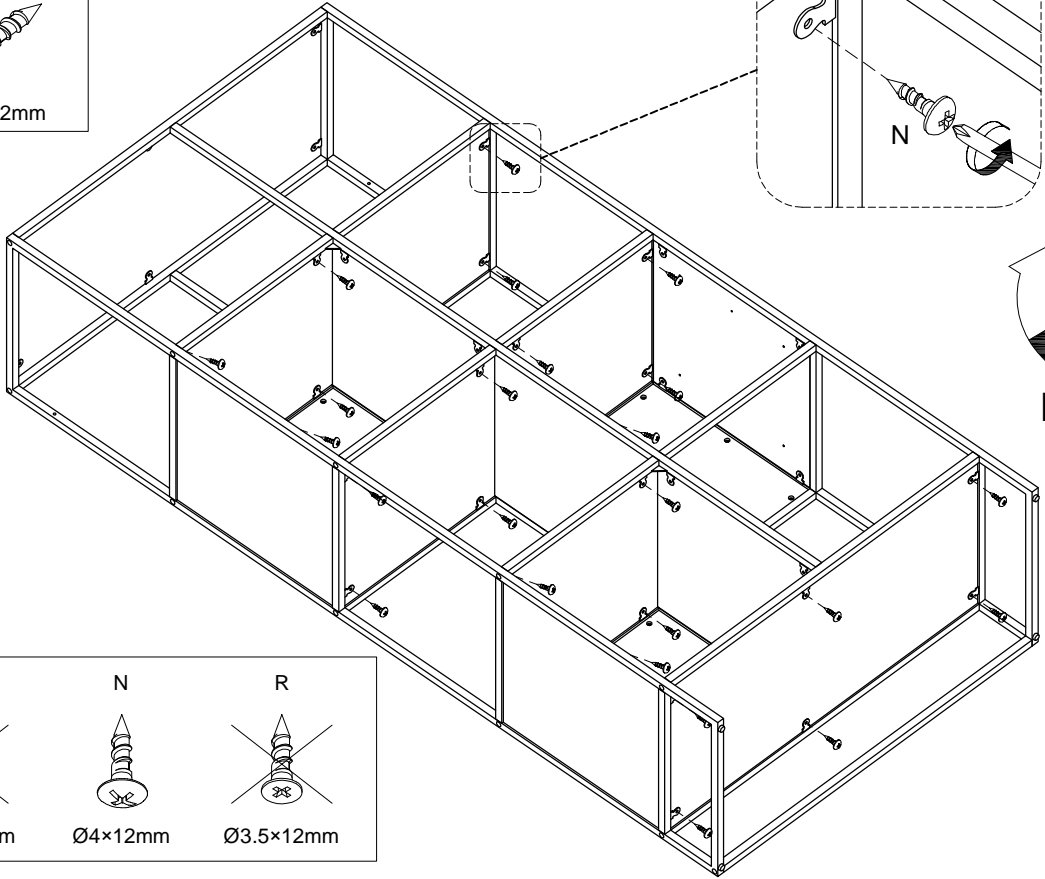
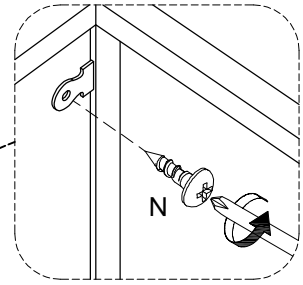
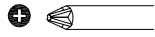
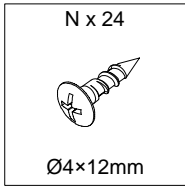
15



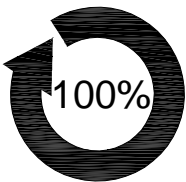
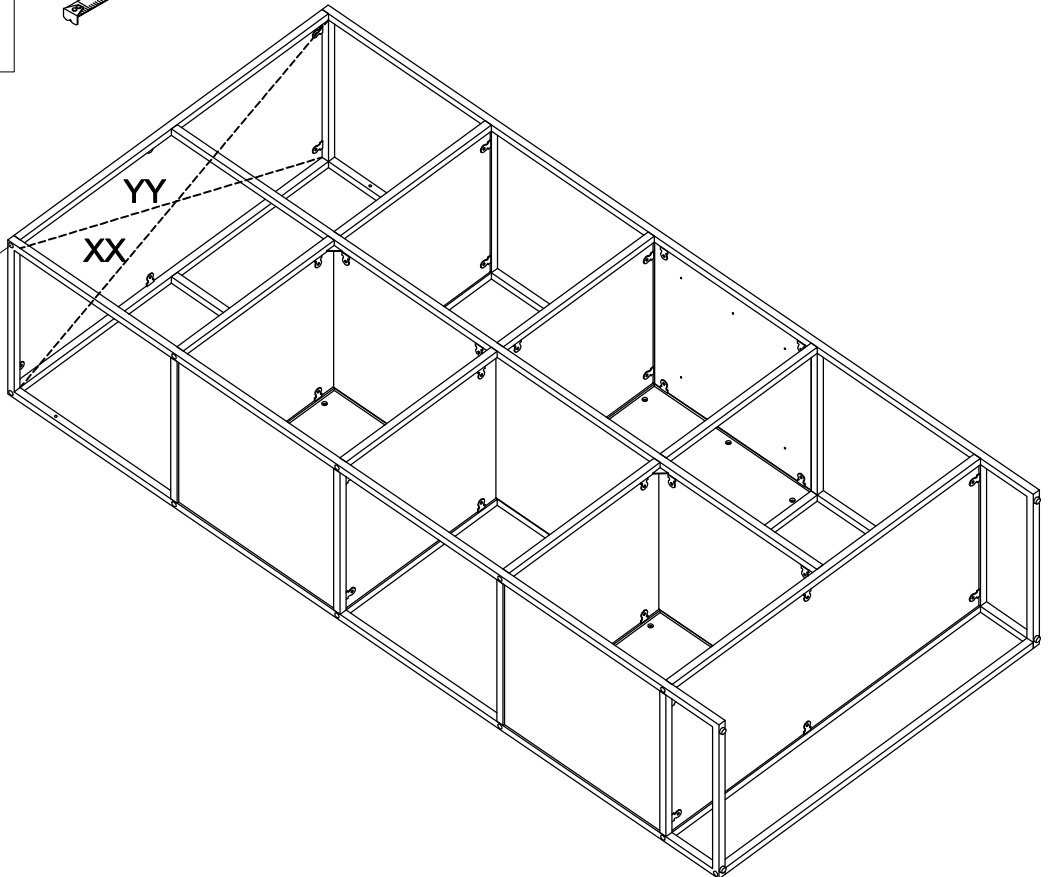
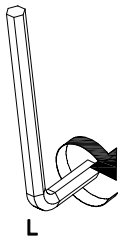
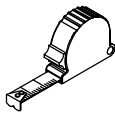
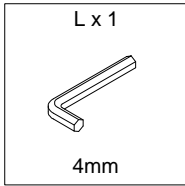
16



17

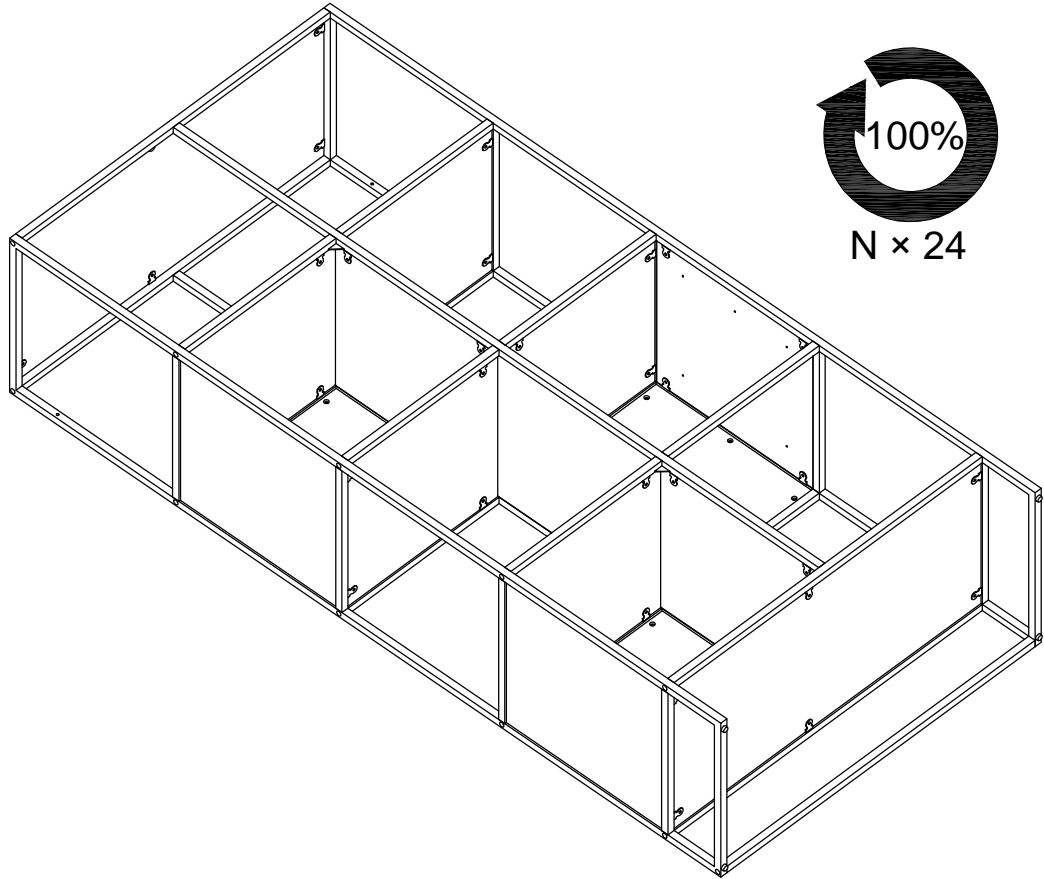
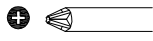


18

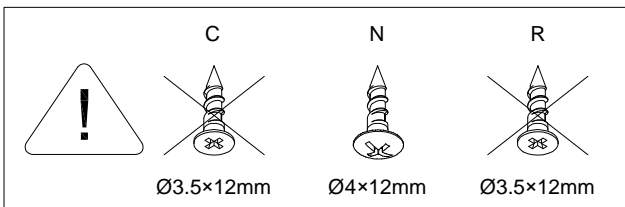
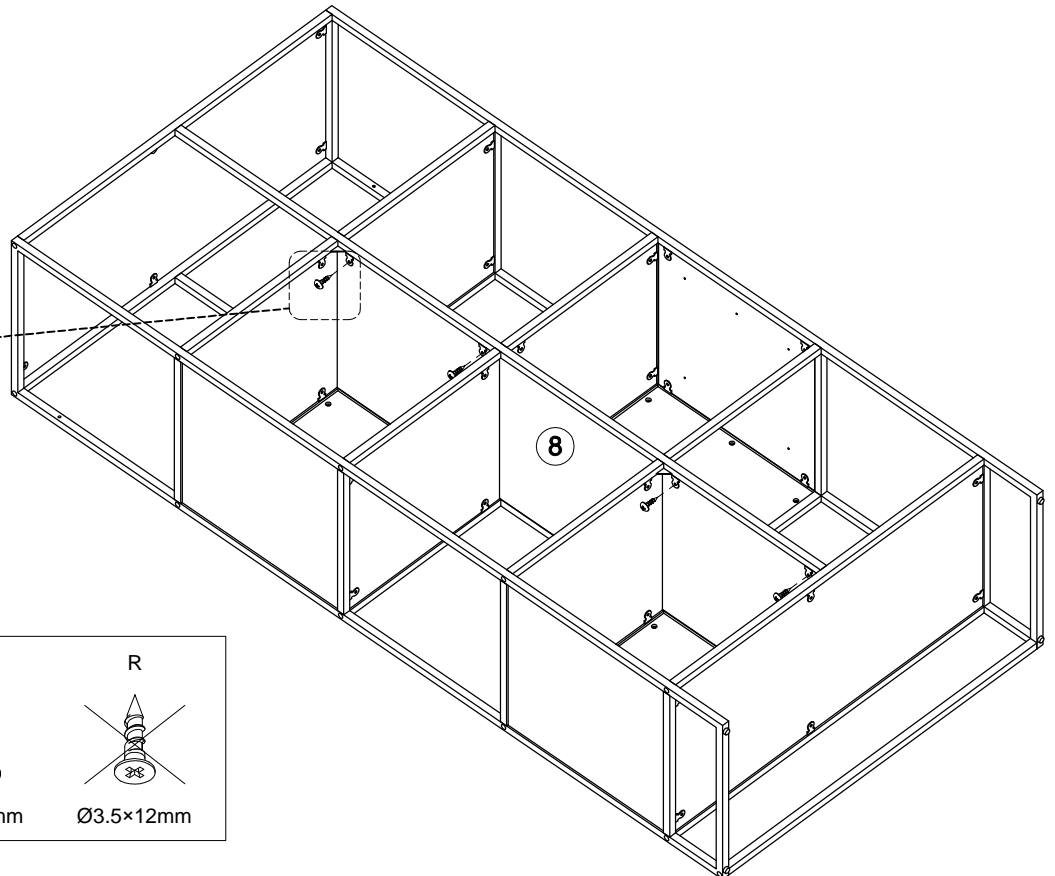
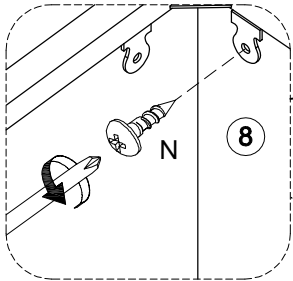
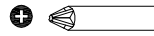
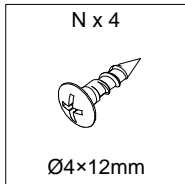


D x 22

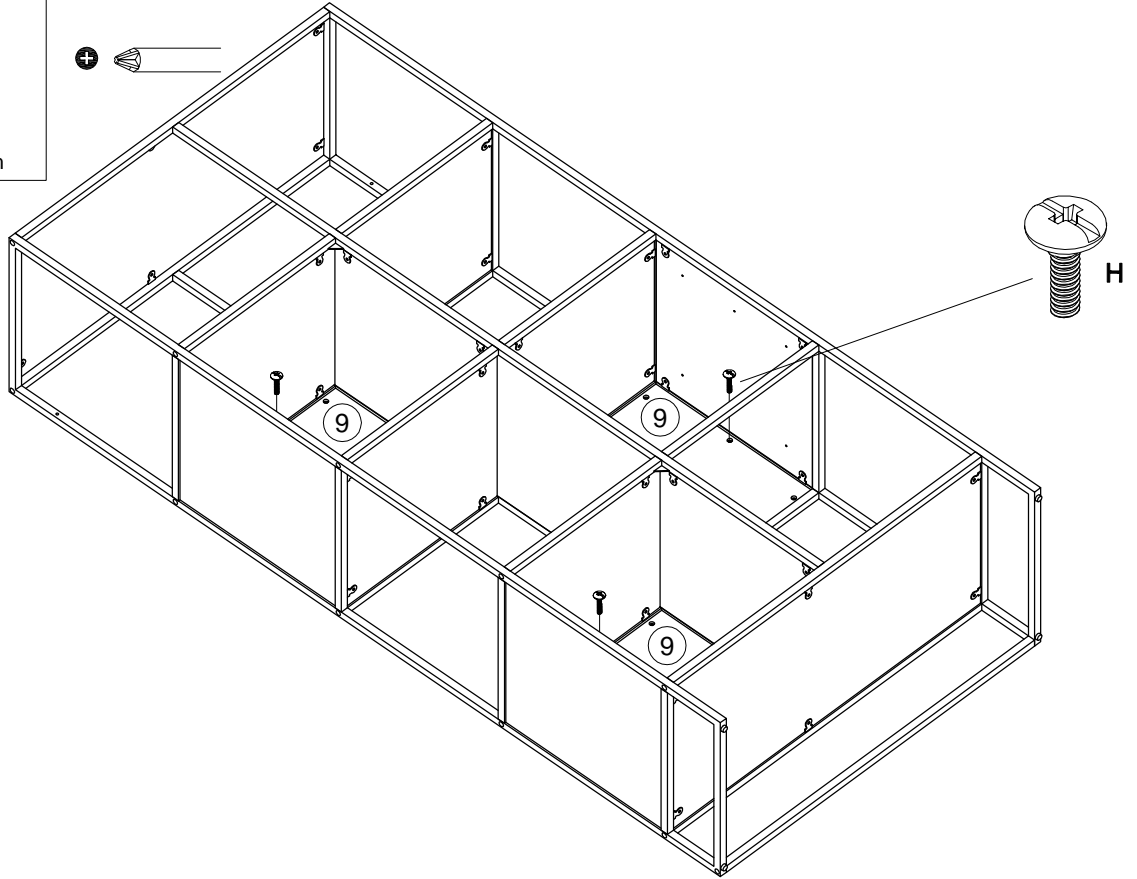
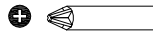
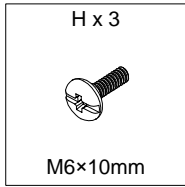
19



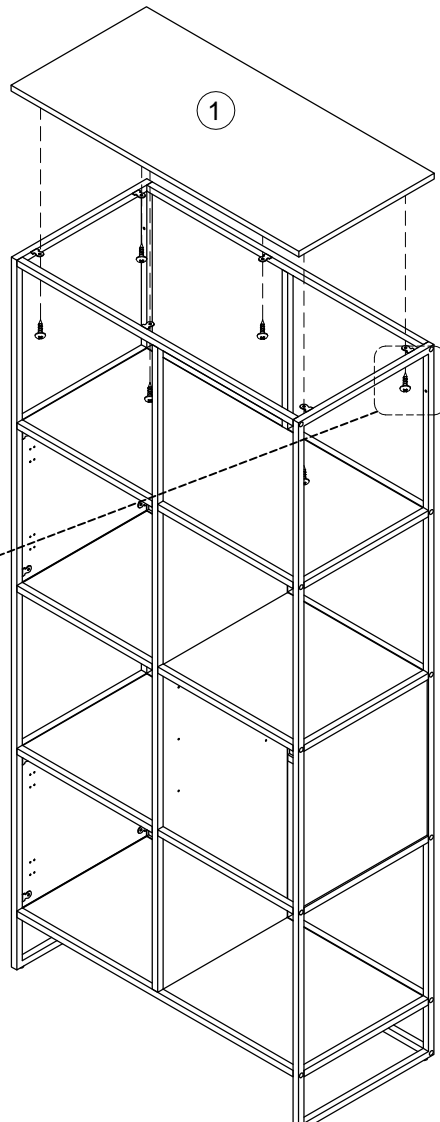
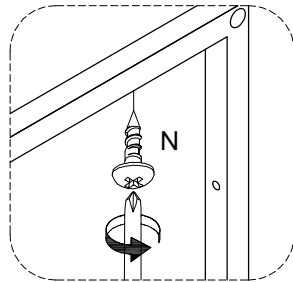
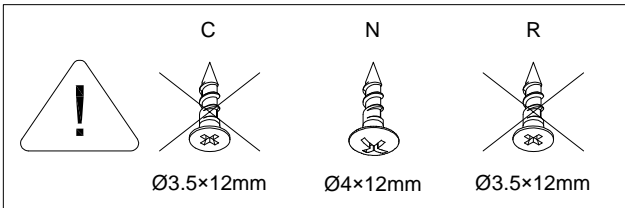
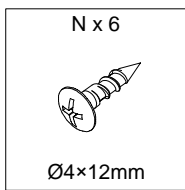
20



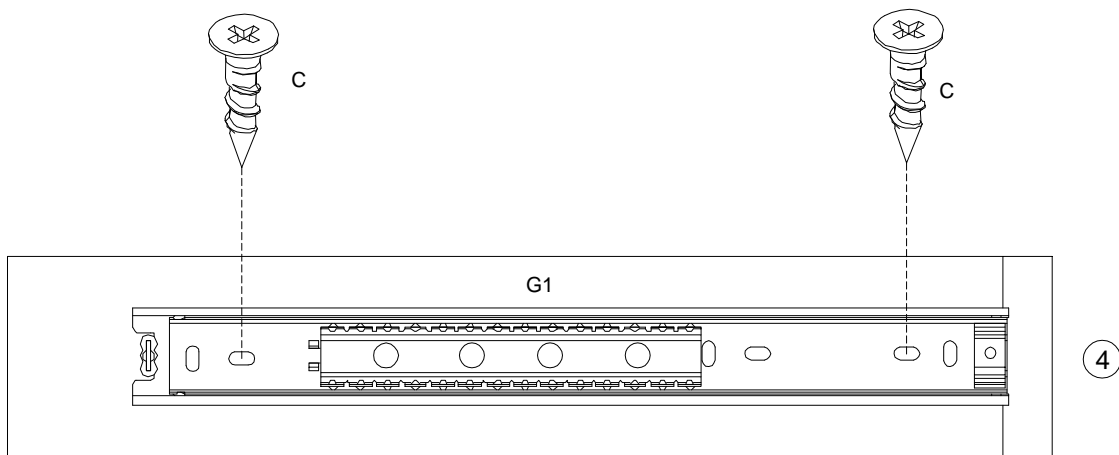
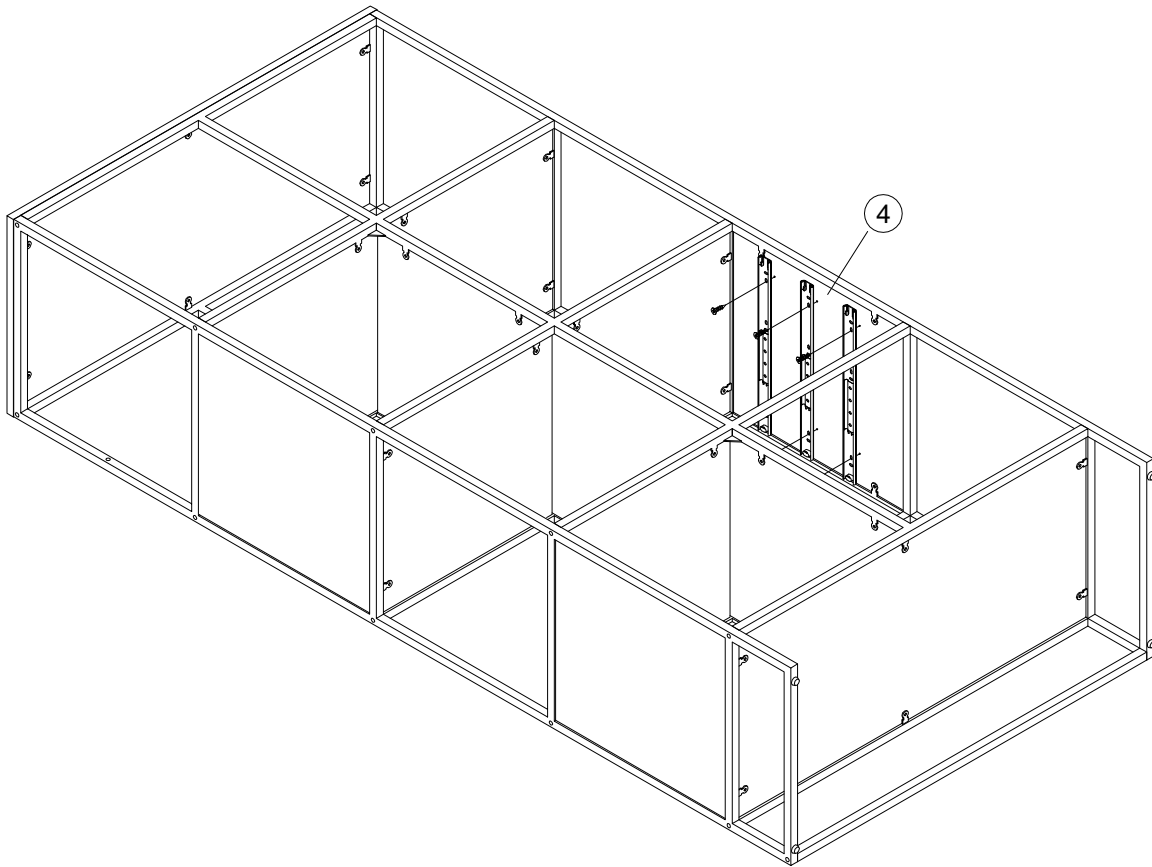
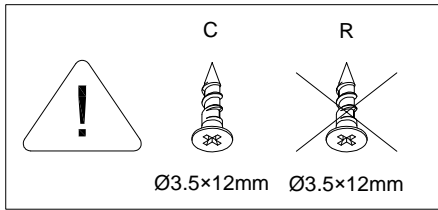
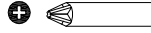
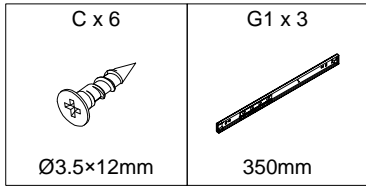
21



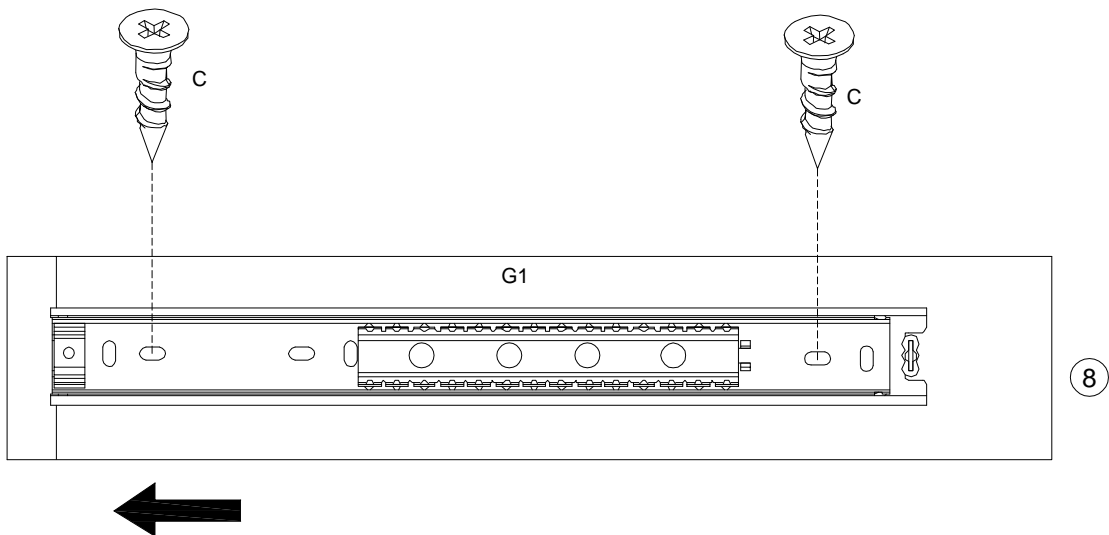
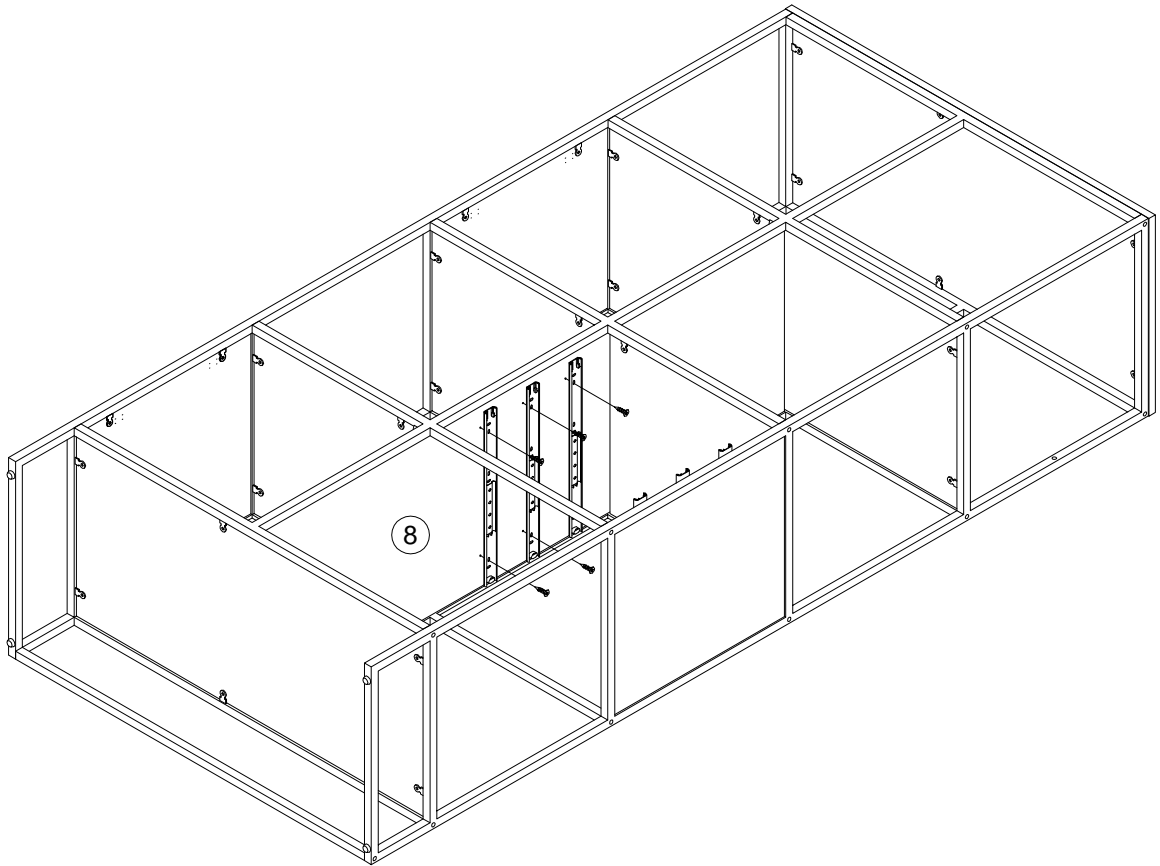
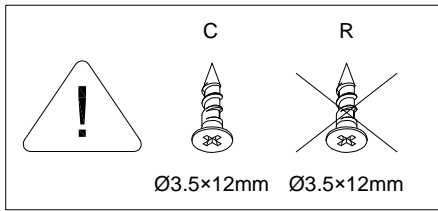
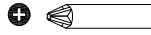
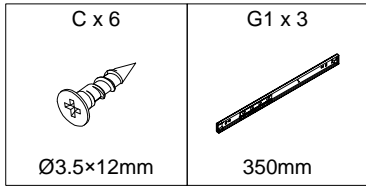
22

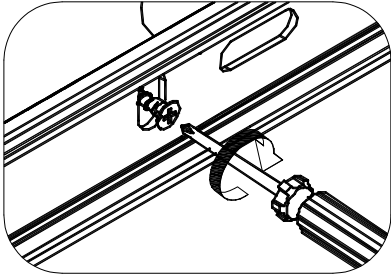
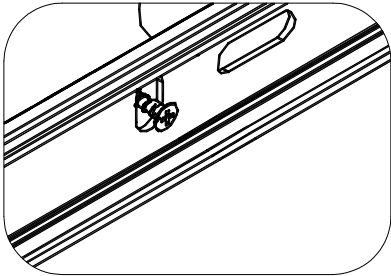
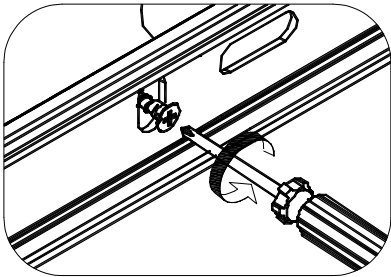
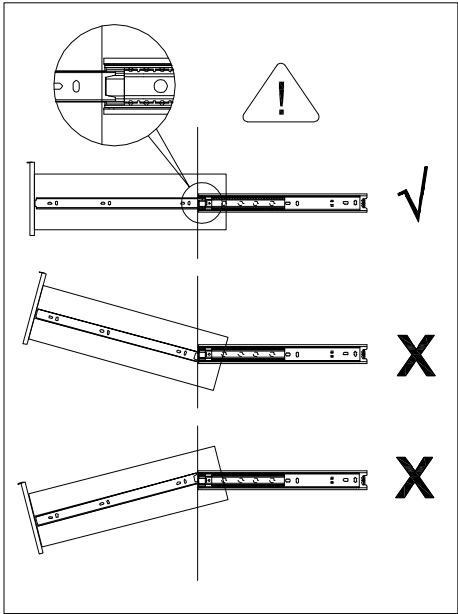
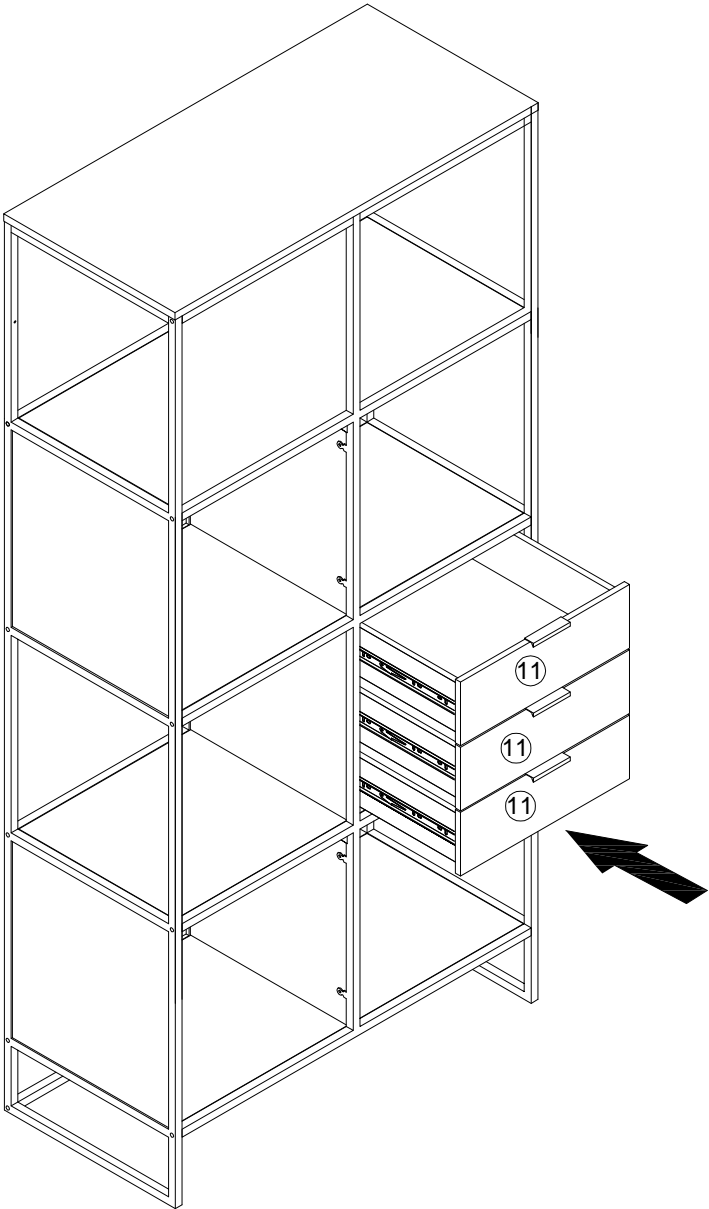


23



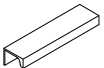



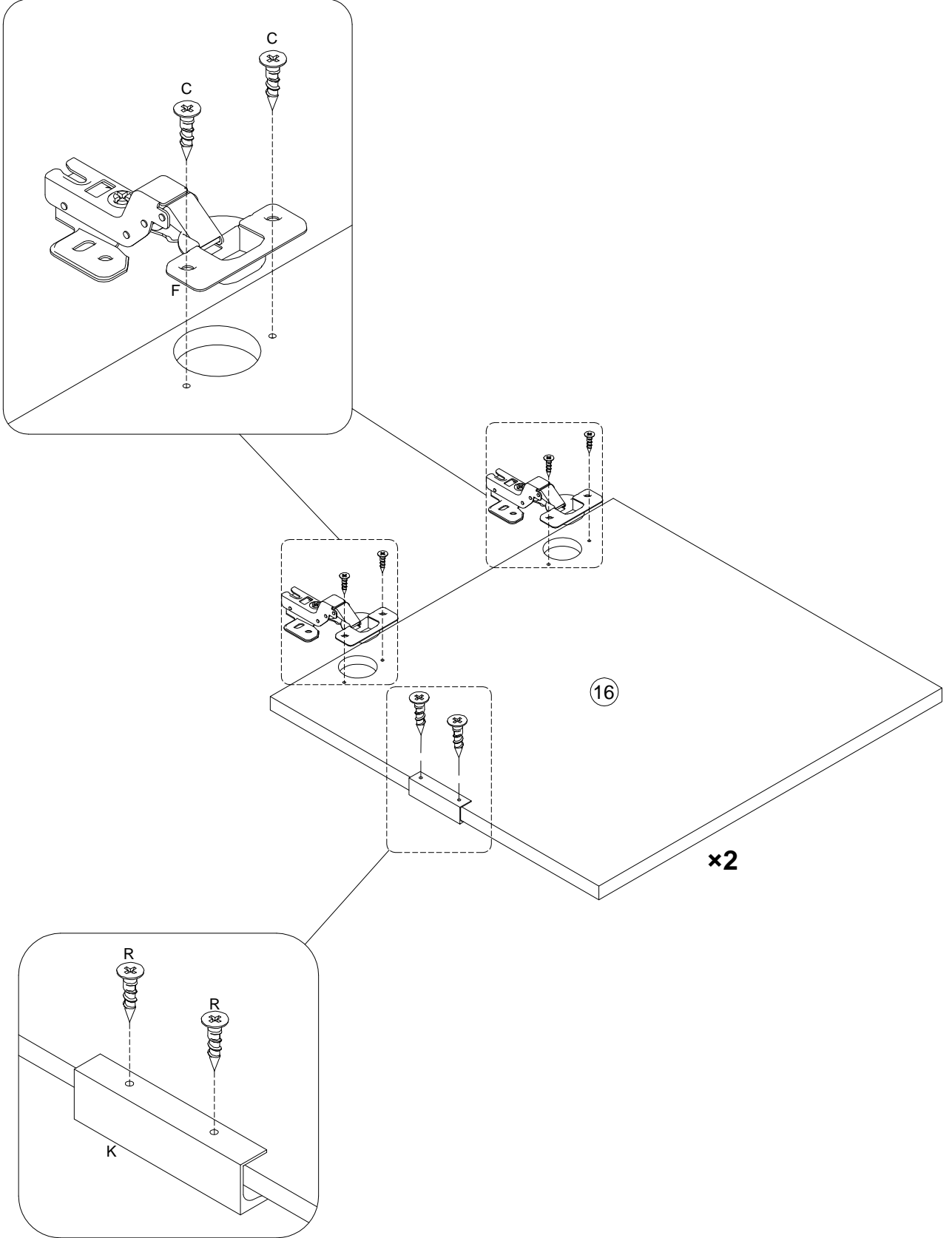
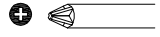
24



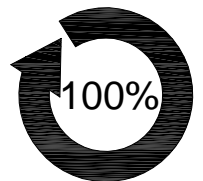
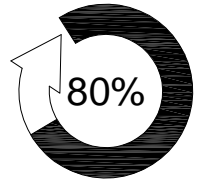
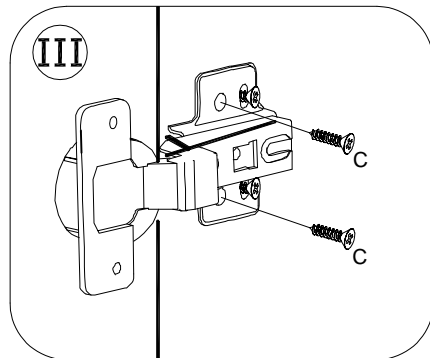
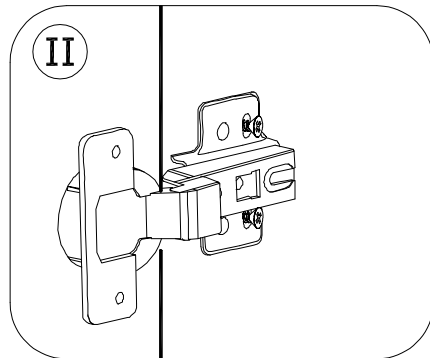
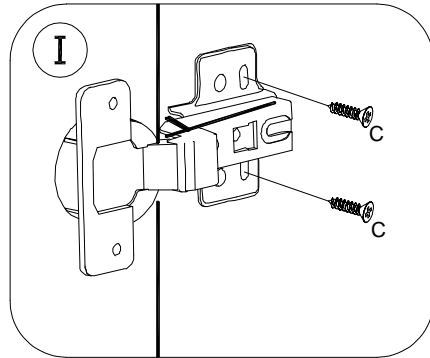
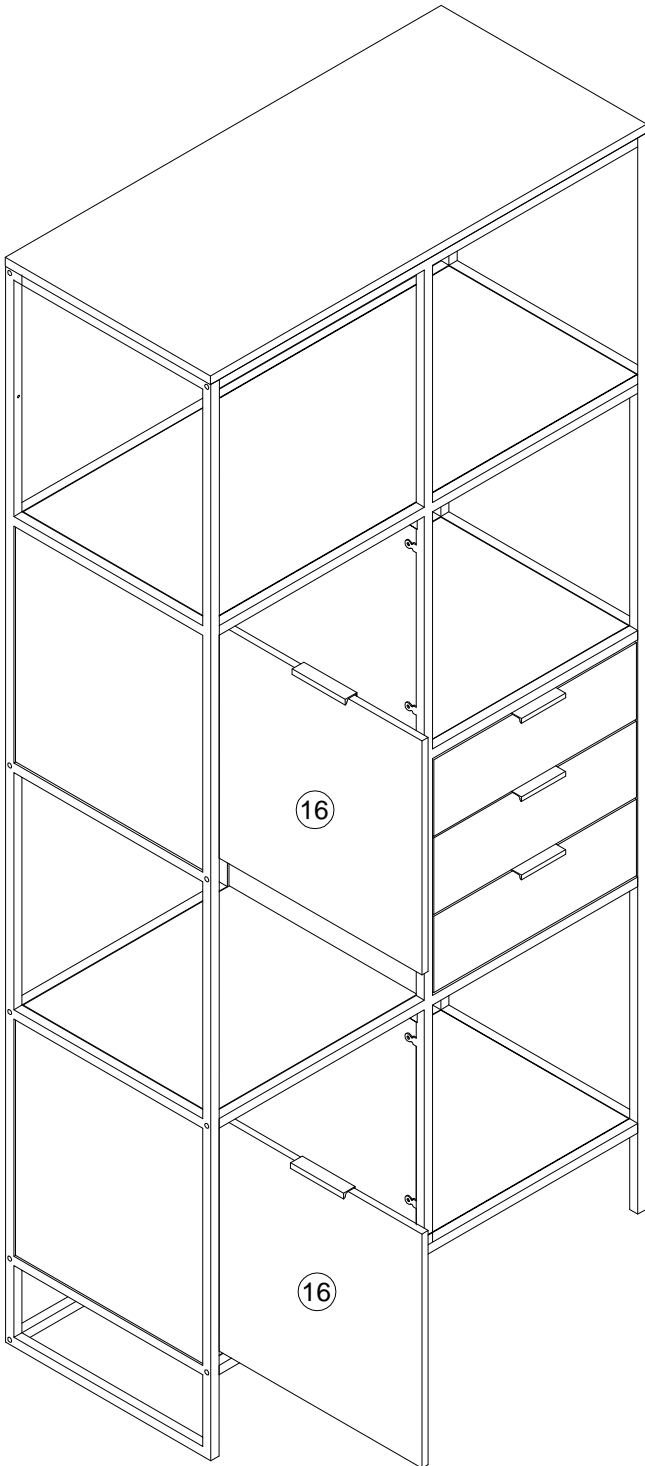
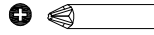
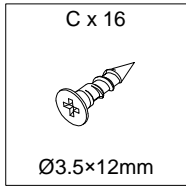


26

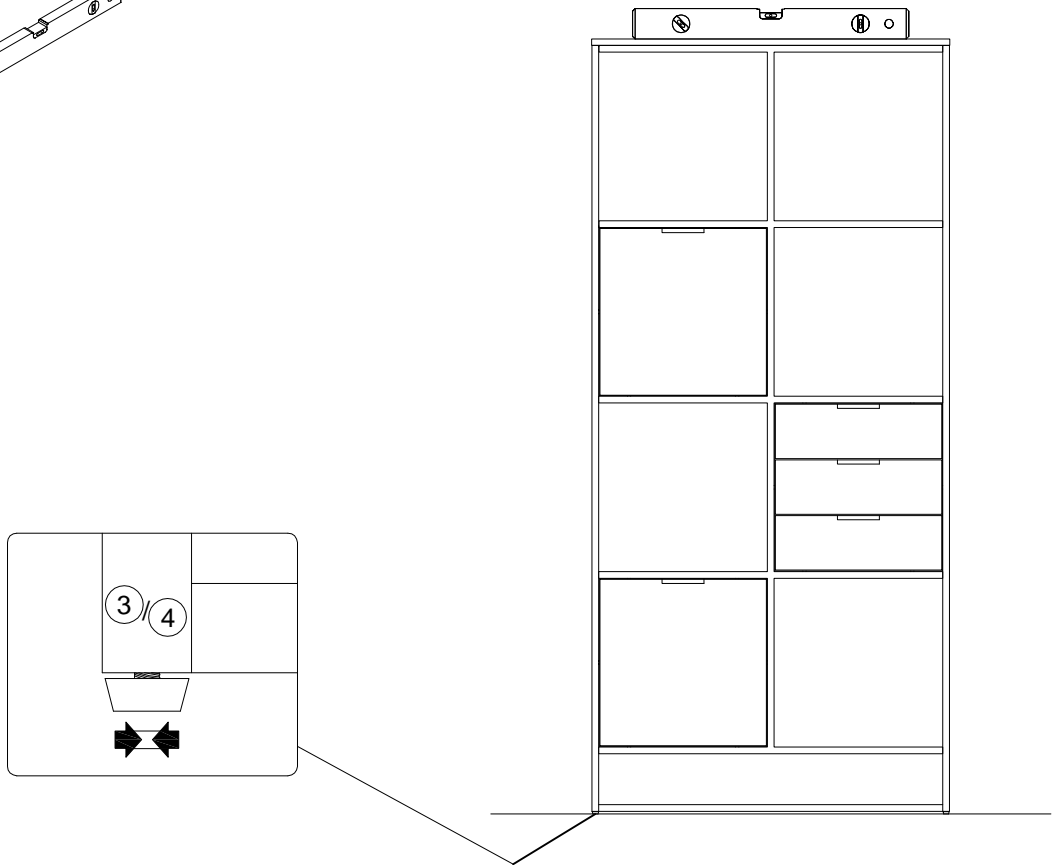
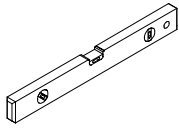
C x 8  Ø3.5×12mm	F x 4  Ø35/FK17	K x 2  80×32×18mm	R x 4  Ø3.5×12mm
---	--	--	---



27



28



29

