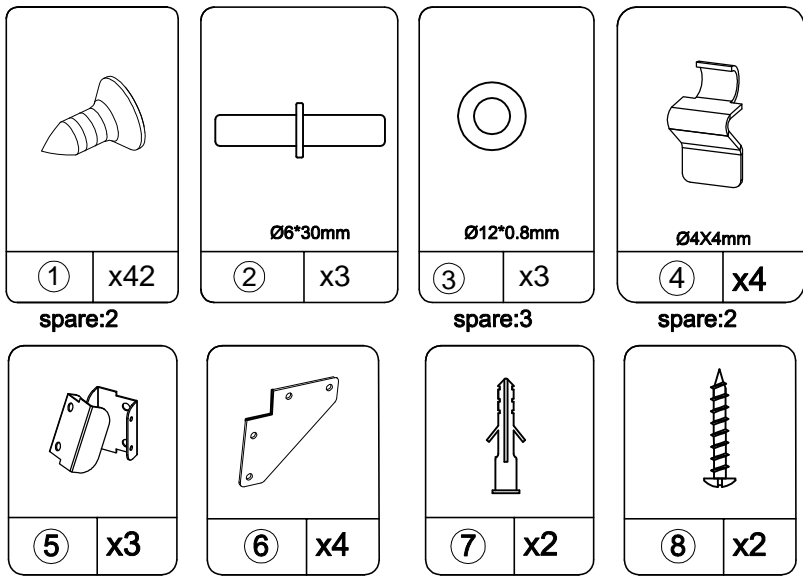
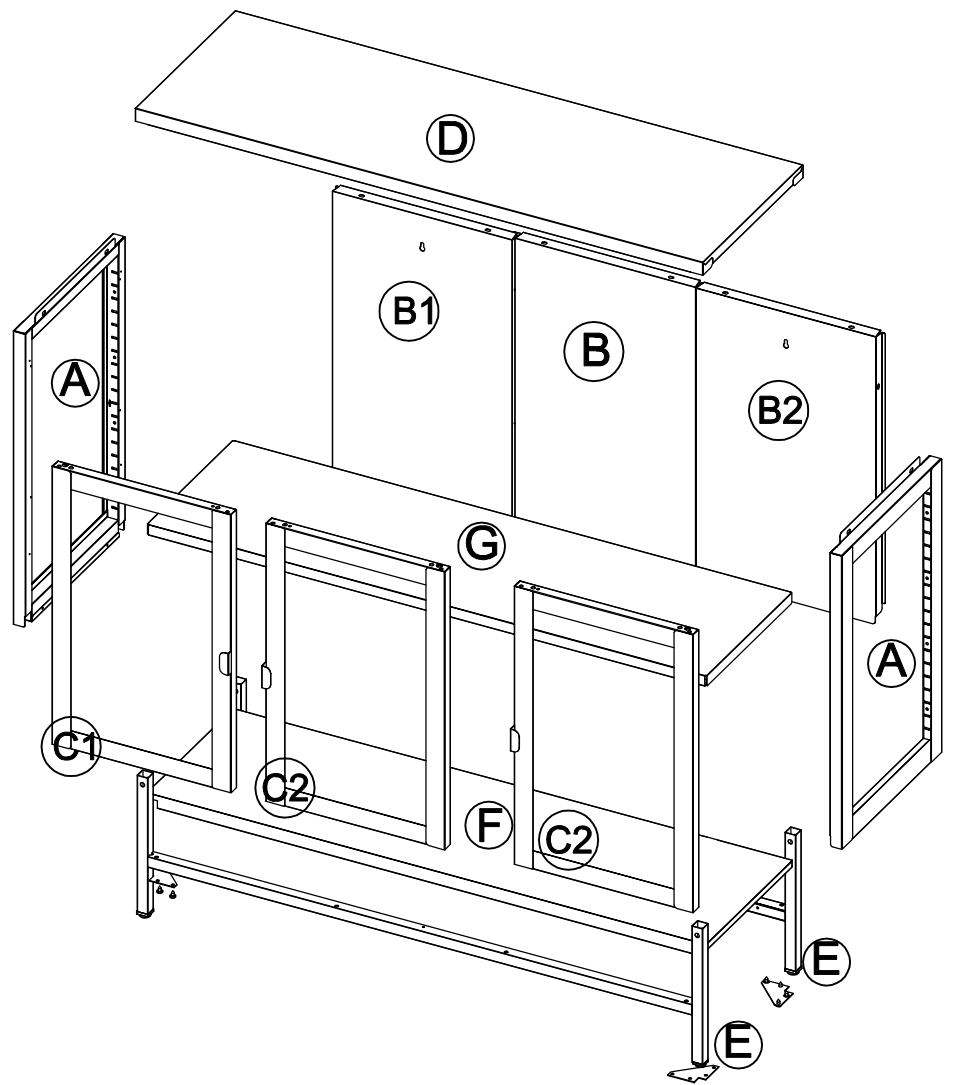
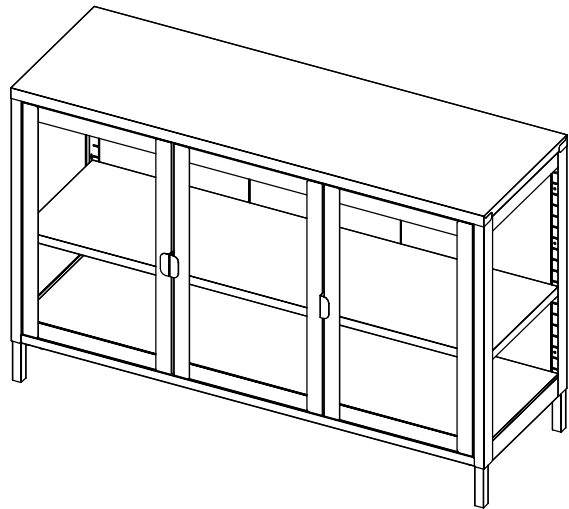
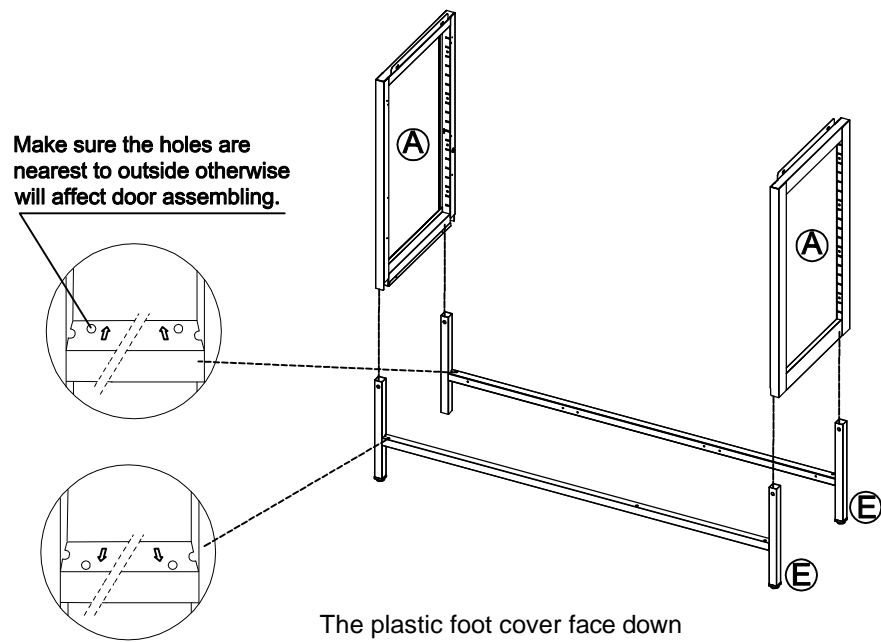


3001050

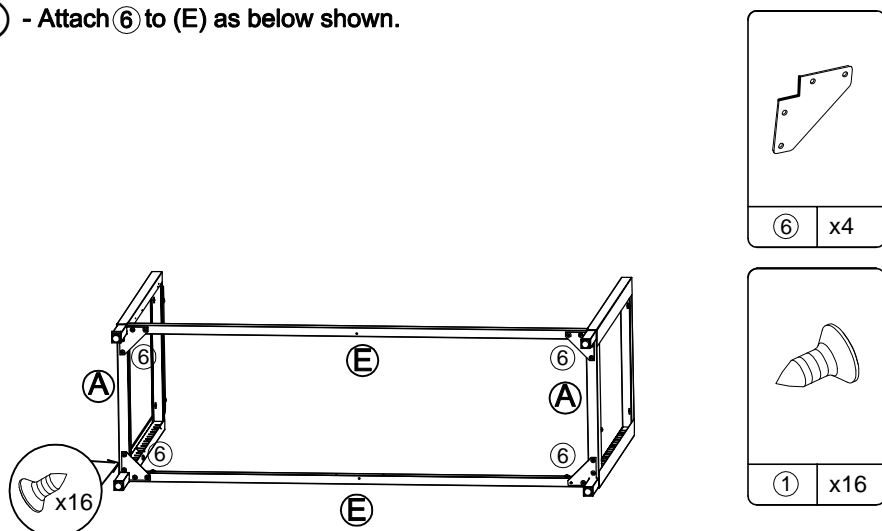
**Brisbane Steel Sideboard
w. Glass Door Black**



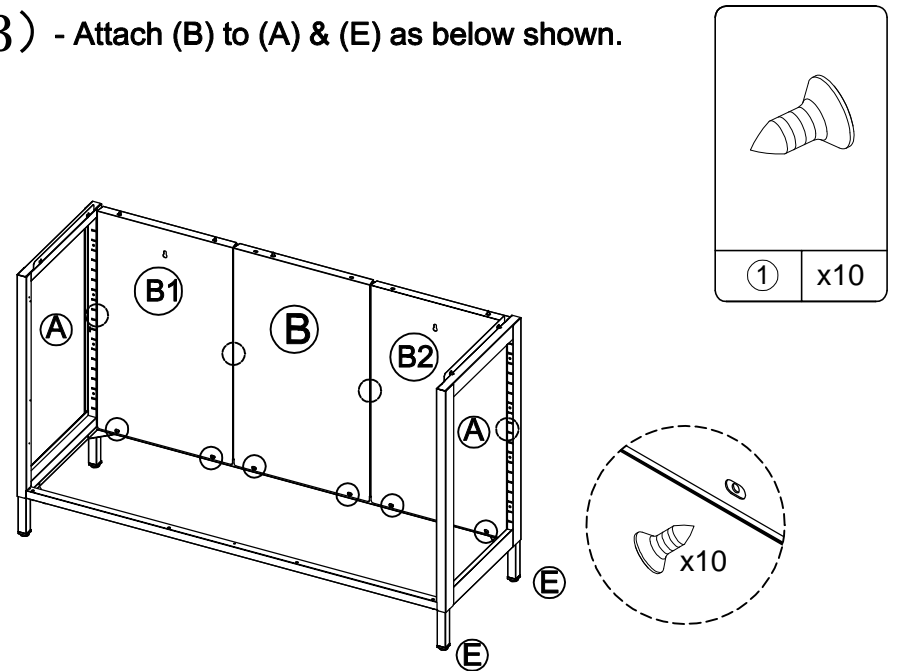
(1) - Attach (A) to (E) as below shown.



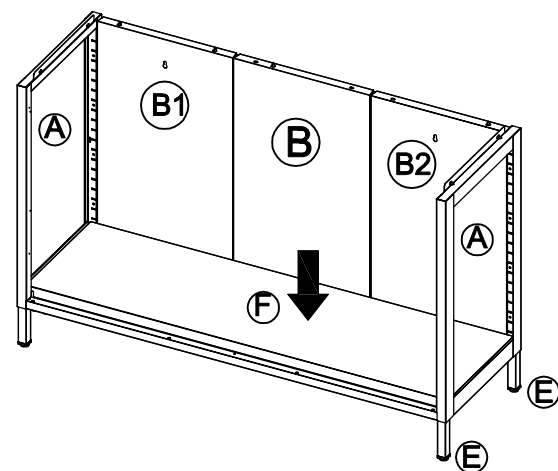
(2) - Attach ⑥ to (E) as below shown.



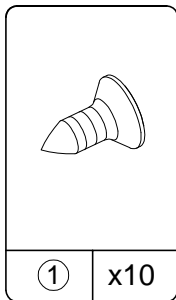
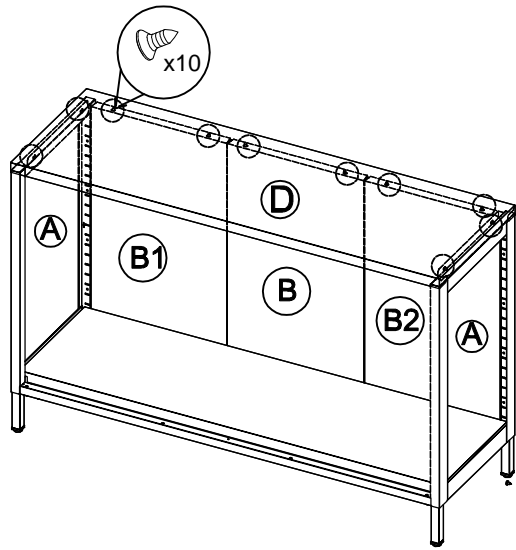
(3) - Attach (B) to (A) & (E) as below shown.



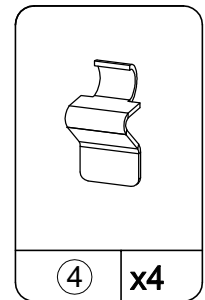
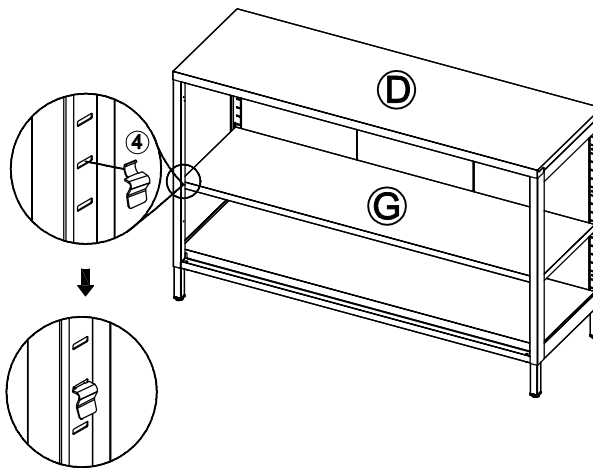
(4) - Attach (F) to (A) & (B) & (E) as below shown.



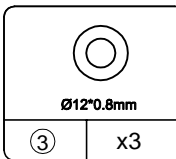
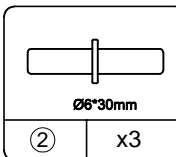
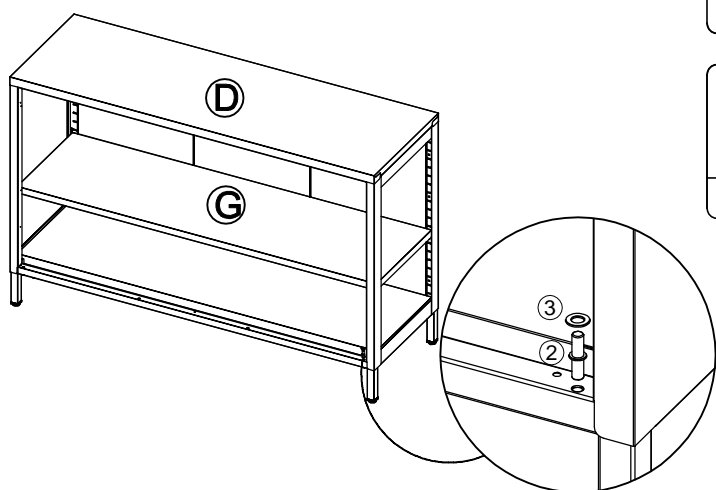
(5) - Attach (D) to (A) & (B) as below shown.



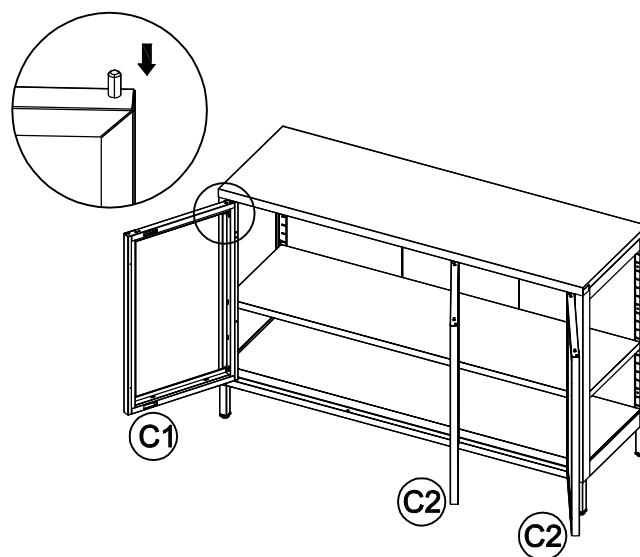
(6) - Attach (G) to pre-assembled unit as below shown.



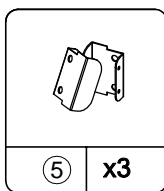
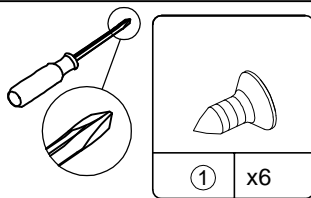
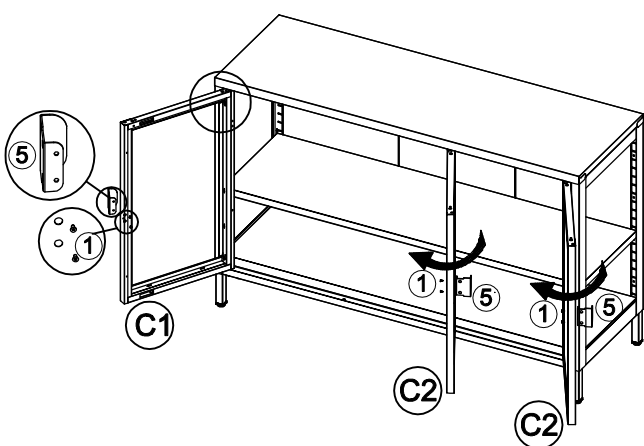
(7) - Attach (2) & (3) to pre-assembled unit as below shown.



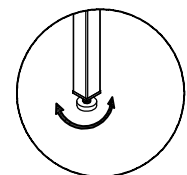
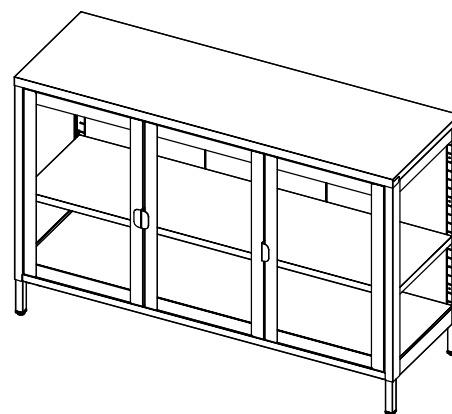
(8) - Attach (C) to pre-assembled unit as below shown.



(9) - Attach (5) to (C) as below shown.

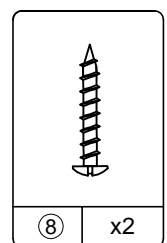
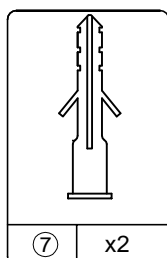
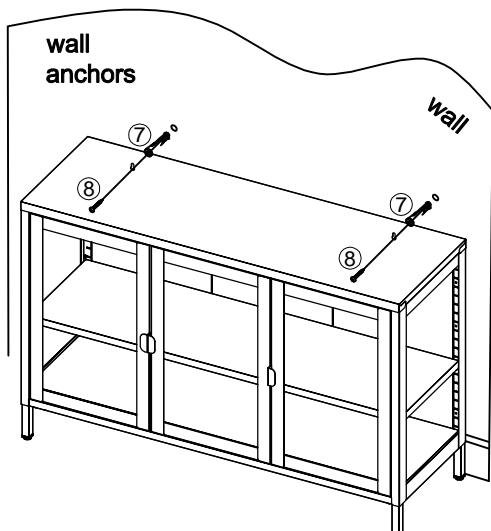


(10)



Gaps may appear between the top of the doors and the frame if the item is not on level ground; use the plastic foot cover to level.

(11)



Gaps may appear between the top of the doors and the frame if the item is not on level ground; use the plastic foot cover to level.

