

A		6x30	x12
B		6,5x27	x8
C		10x11	x8
D		4,2x45	x4
E		D28	x2
F		3,5x16	x4

G		3x16	x3
H		3,5x20	x8
J		60x30x3	x2
K		4,5x50	x2
L		4,5x60	x4
M		4,5x30	x2

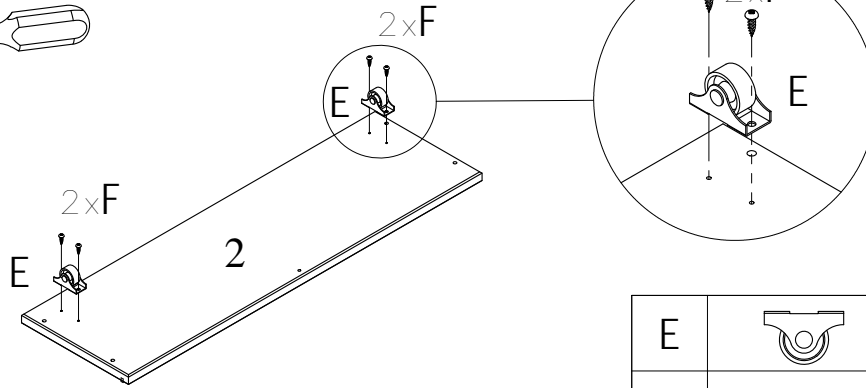
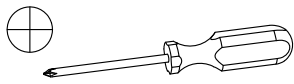
①

A		6x30	x12
---	--	------	-----

②

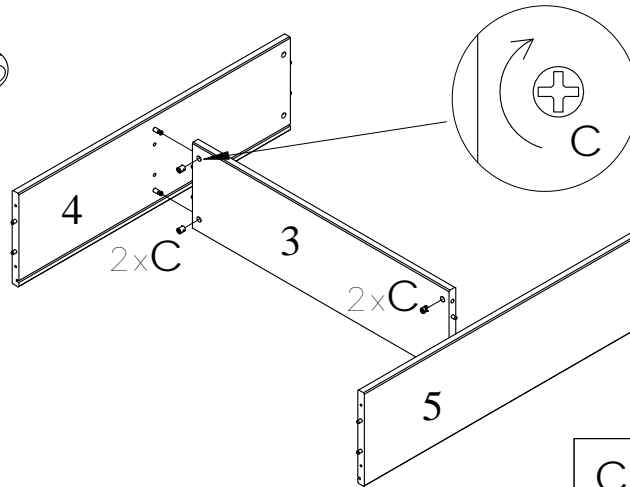
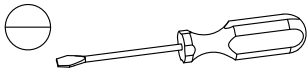
B		6,5x27	x8
---	--	--------	----

3



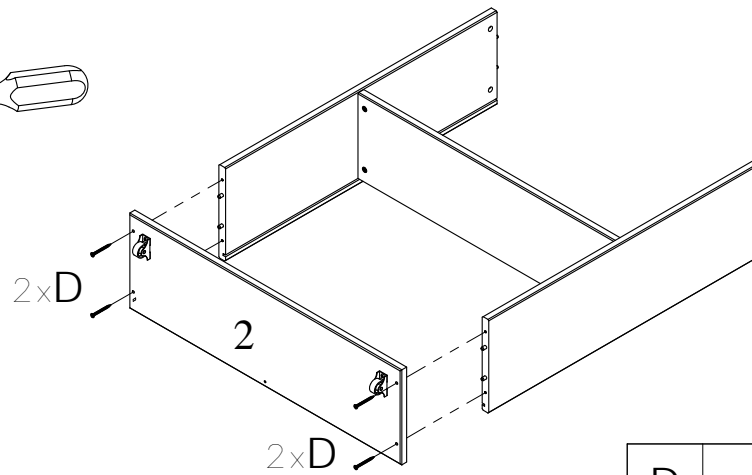
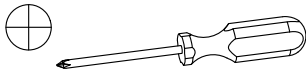
E		D28	x2
F		3,5x16	x4

4



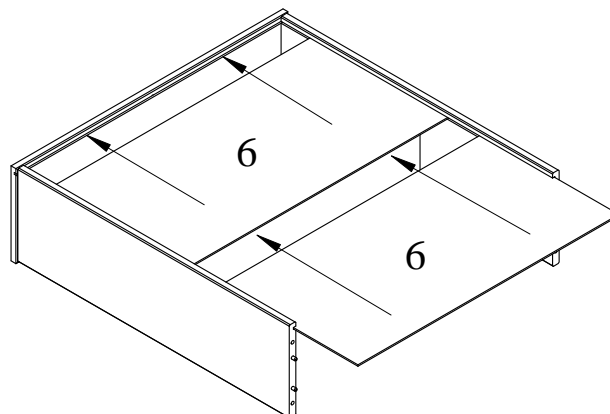
C		D10x11	x4
---	--	--------	----

5

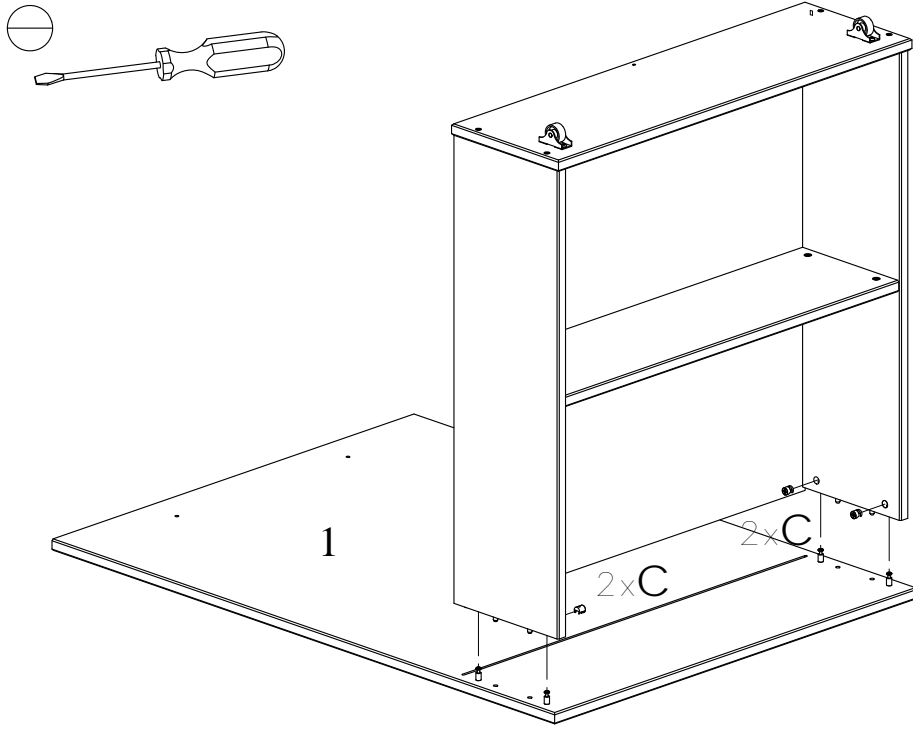



D		4,2x45	x4
---	--	--------	----

6

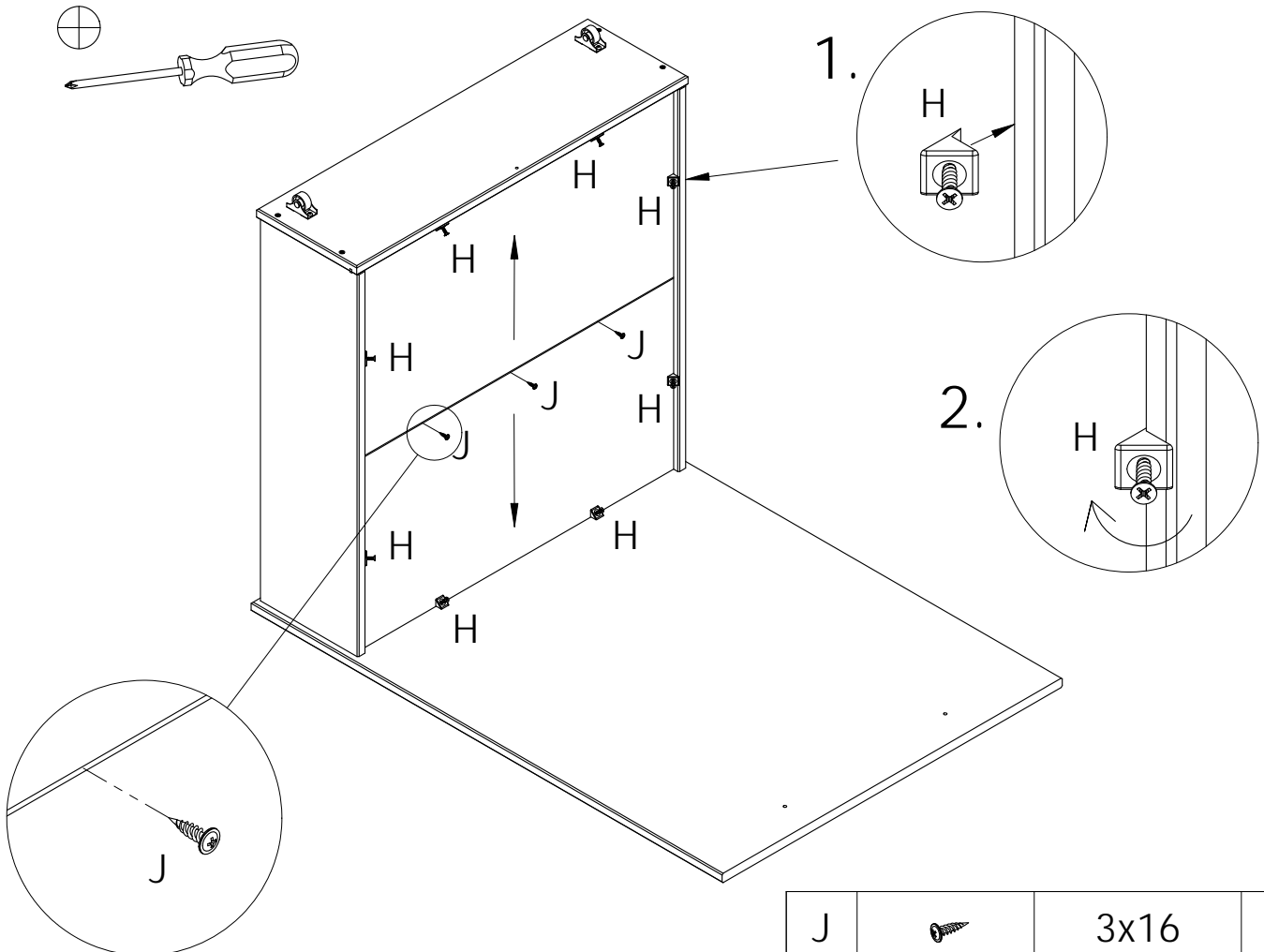




7



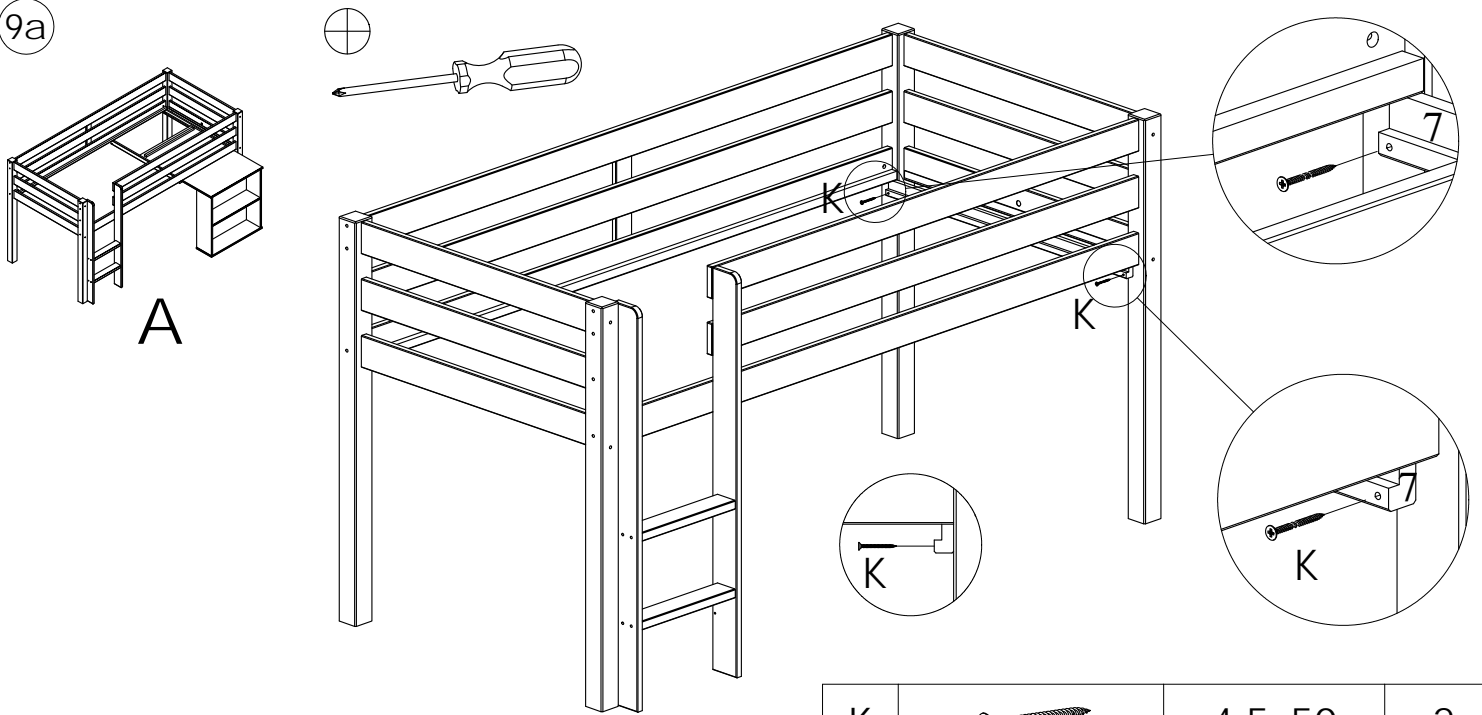
C		D10x11	x4
---	--	--------	----


8



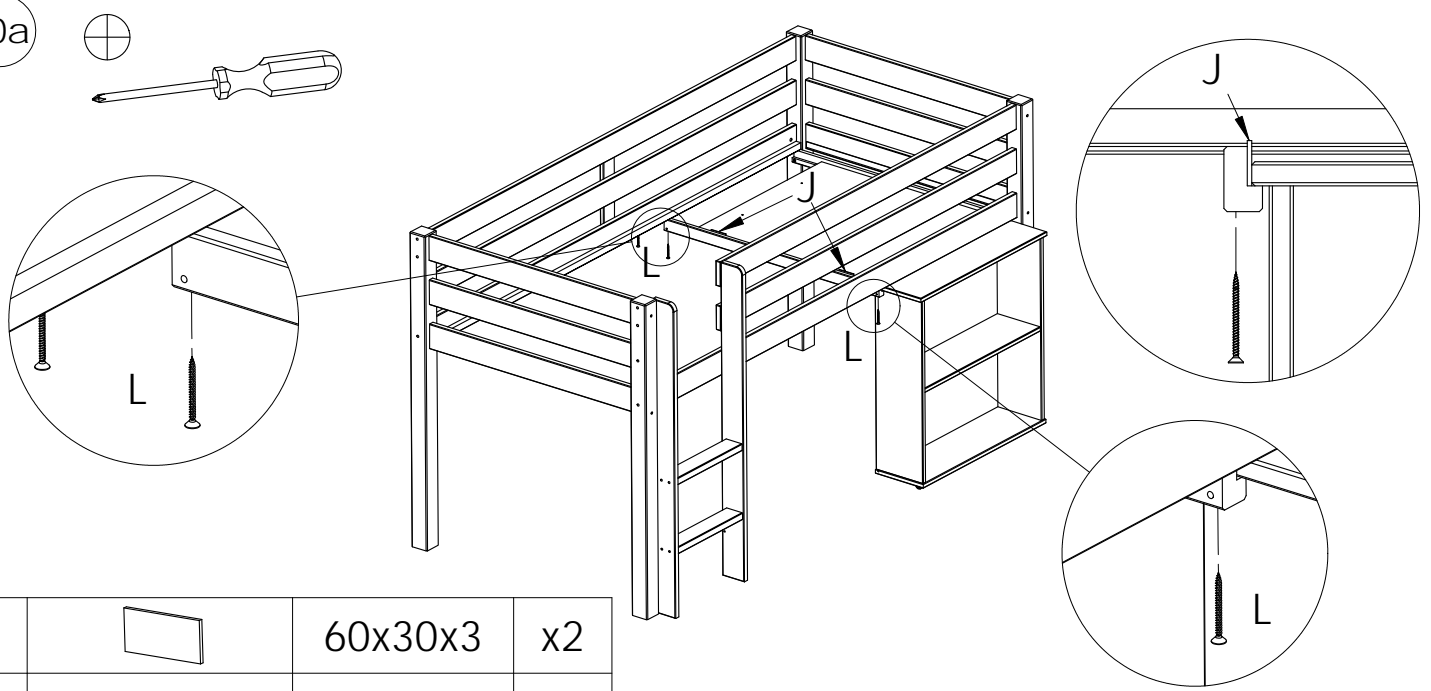
J		3x16	x3
H		3,5x20	x8



9a



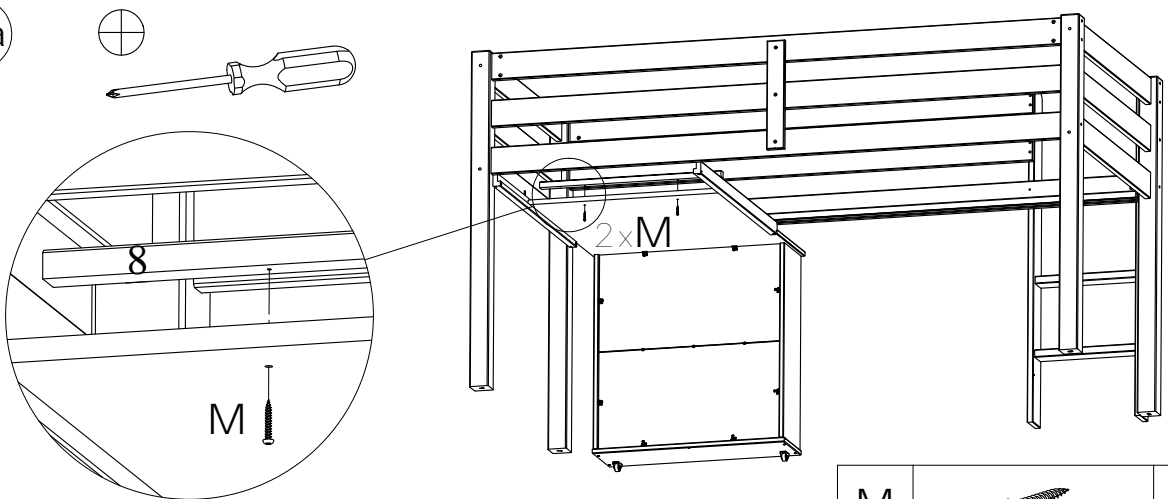
K		4,5x50	x2
---	---	--------	----

10a

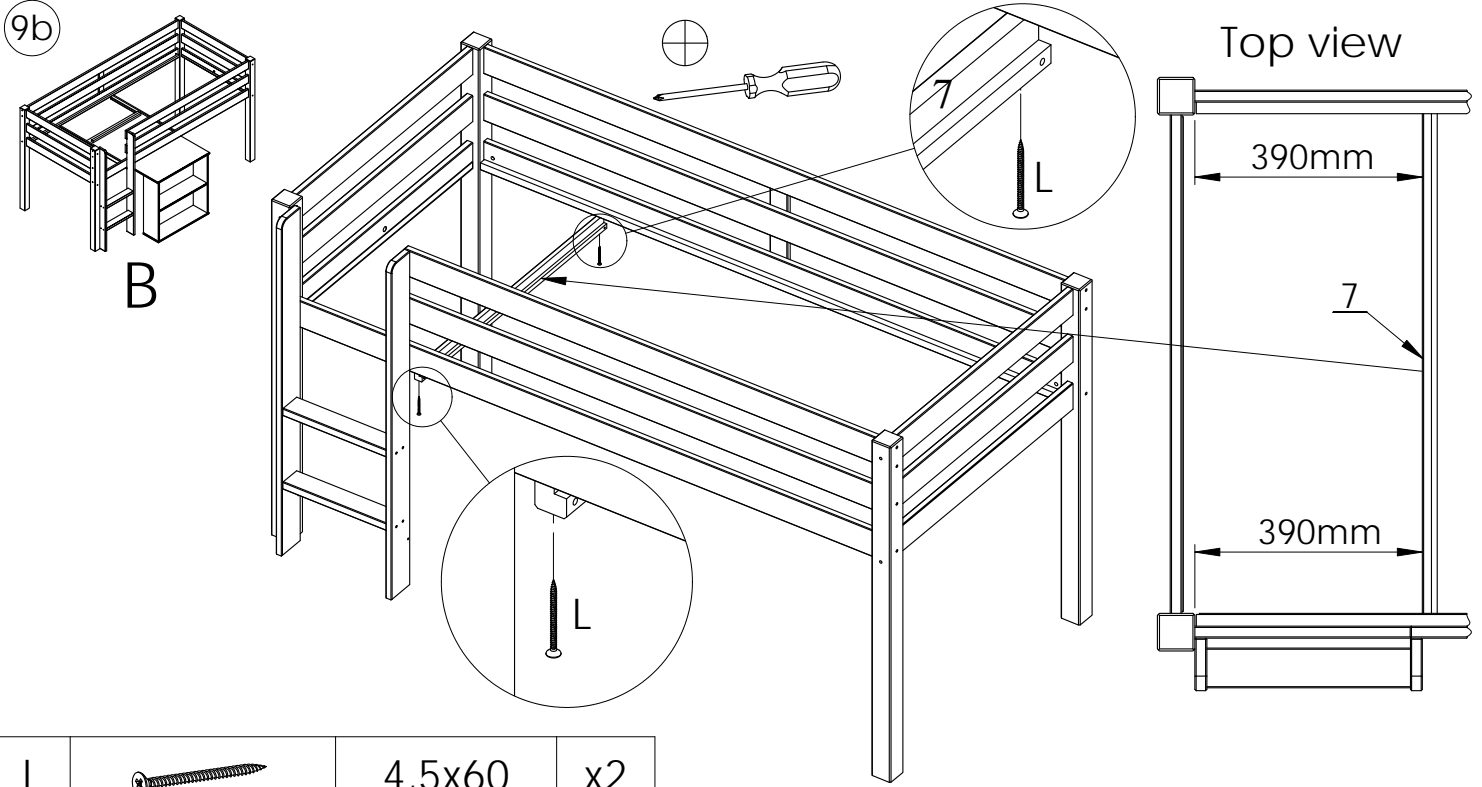



J		60x30x3	x2
L		4,5x60	x2

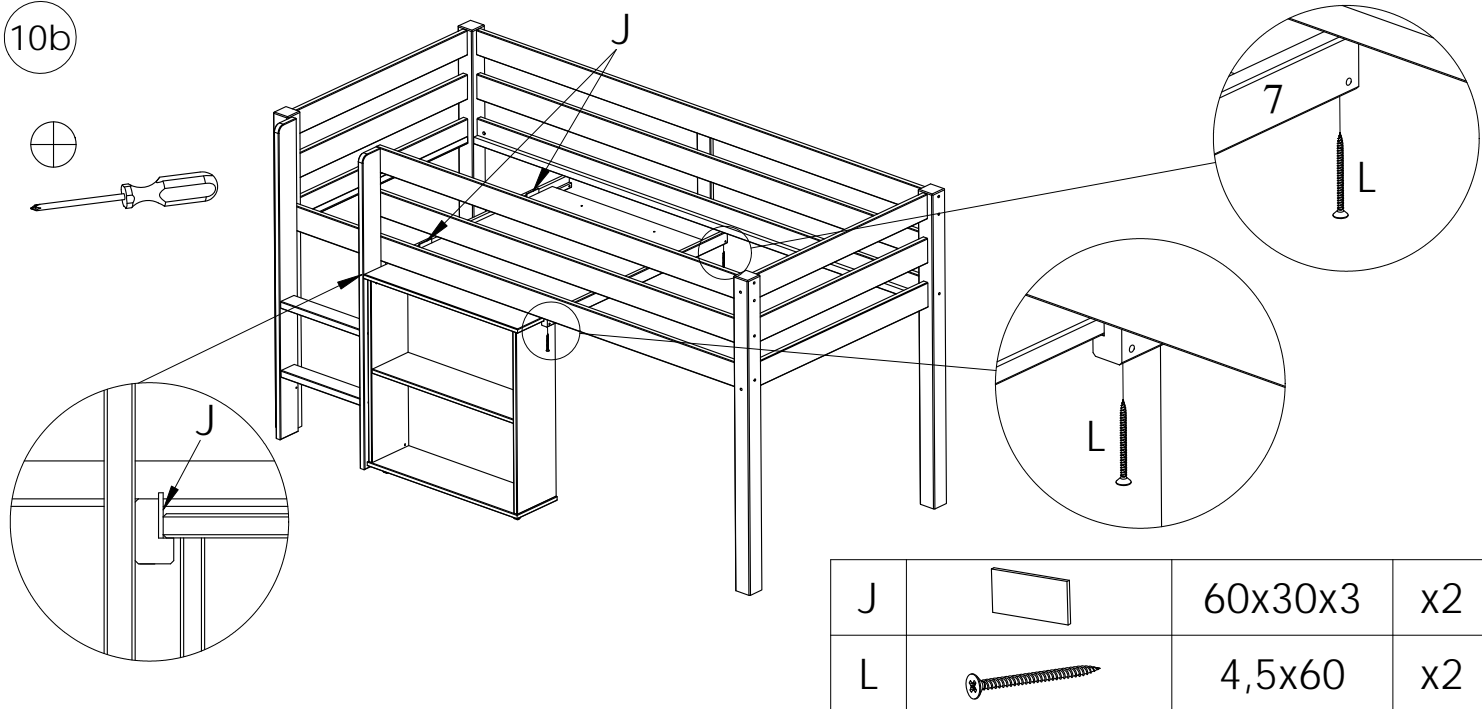
11a





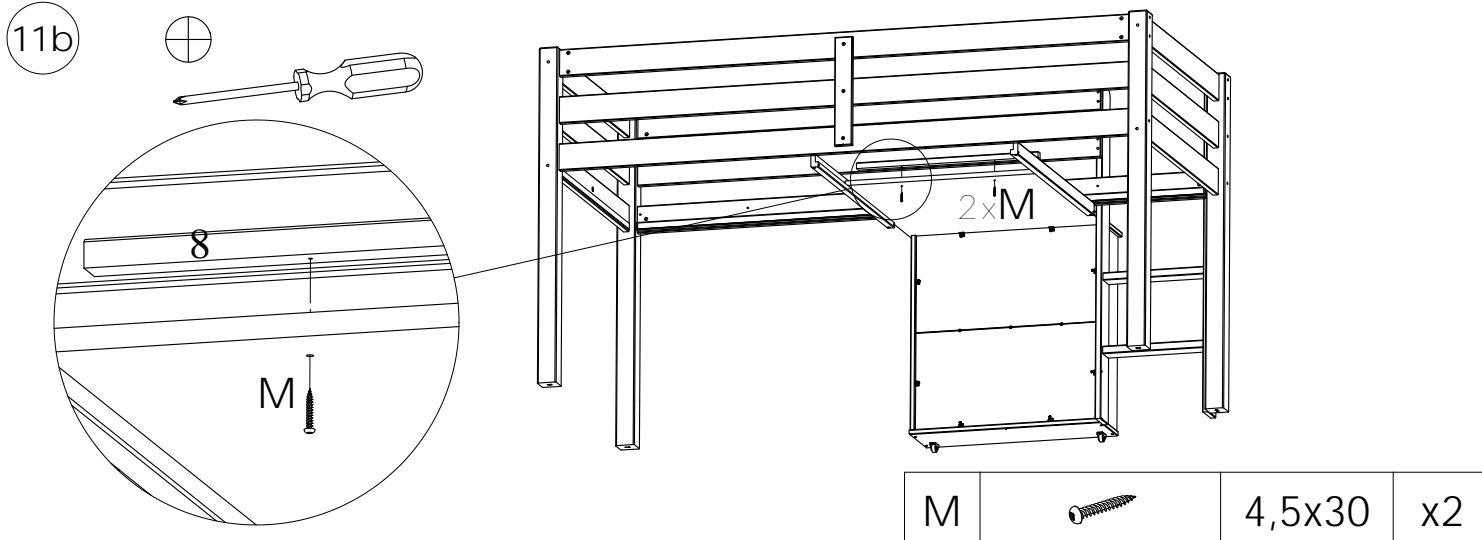
M		4,5x30	x2
---	---	--------	----



L		4,5x60	x2
---	---	--------	----



J		60x30x3	x2
L		4,5x60	x2



M		4,5x30	x2
---	---	--------	----