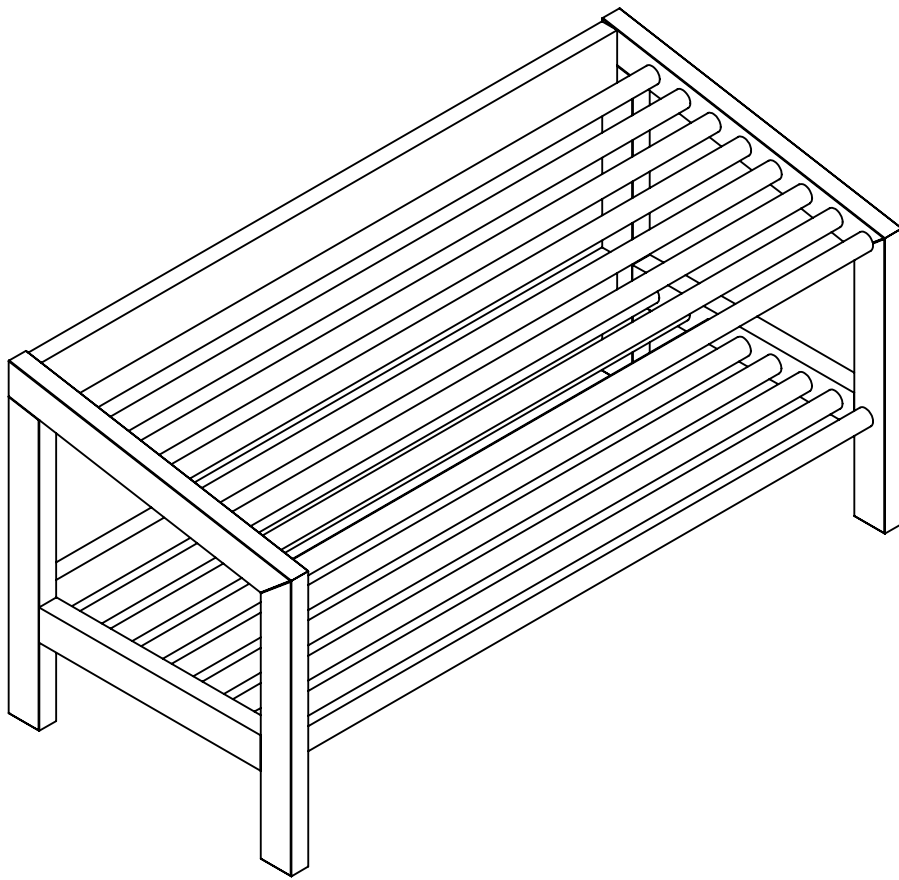


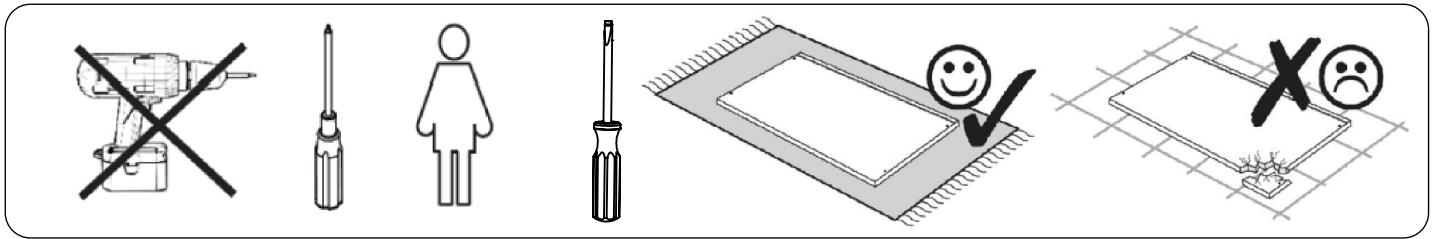
ASSEMBLY INSTRUCTION

HILLMOND SHOE RACK

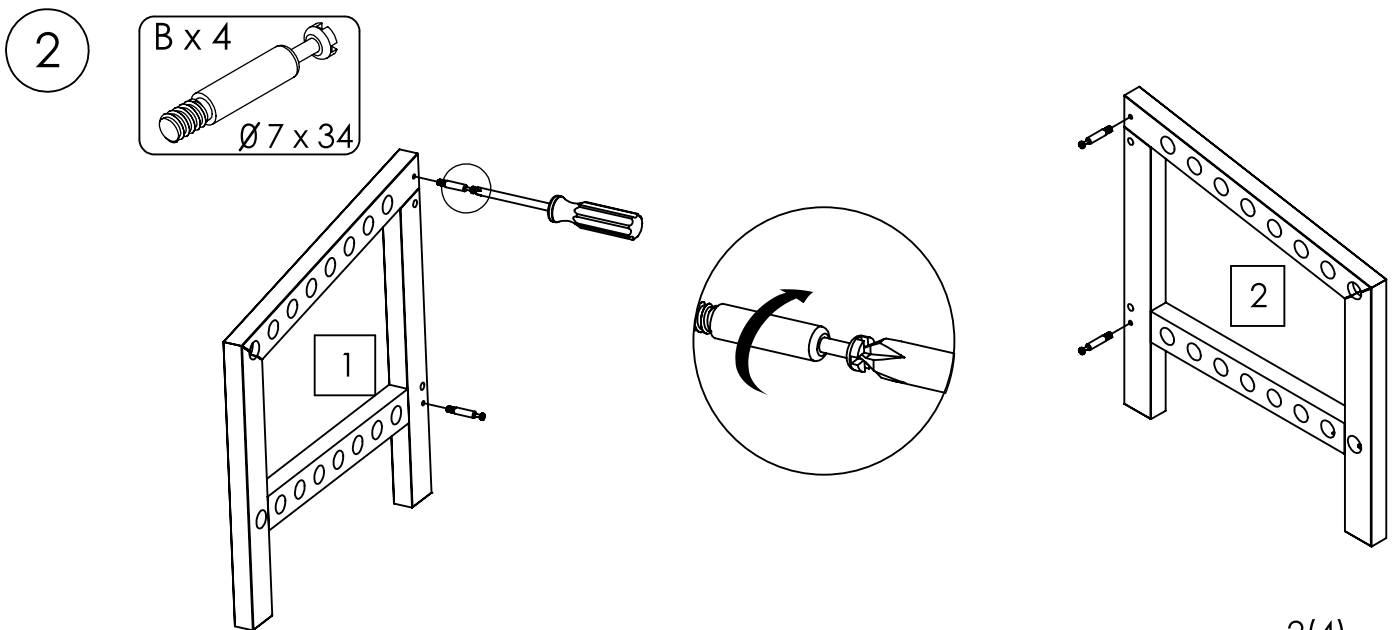
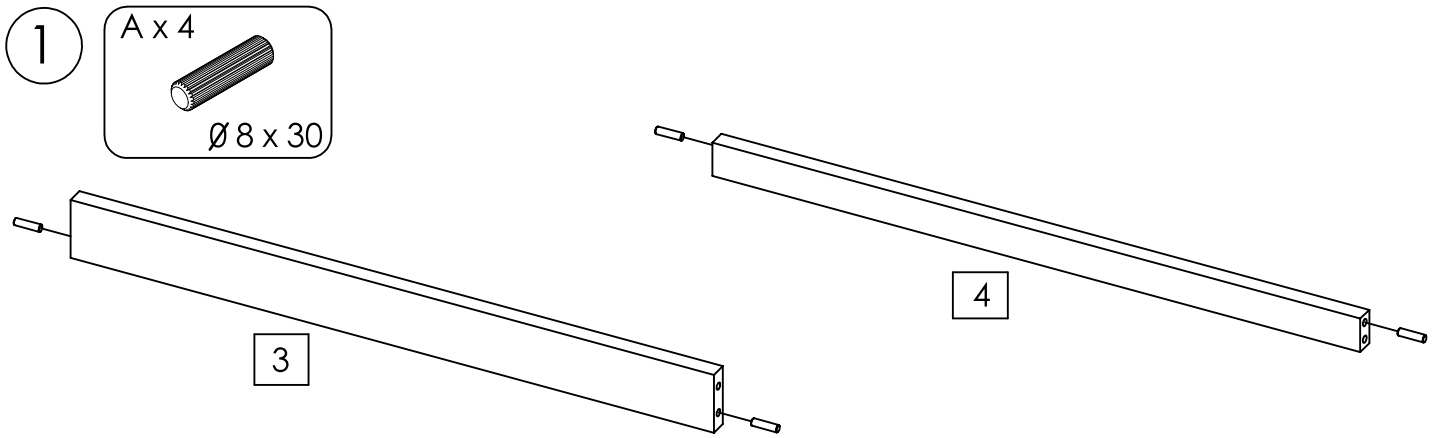


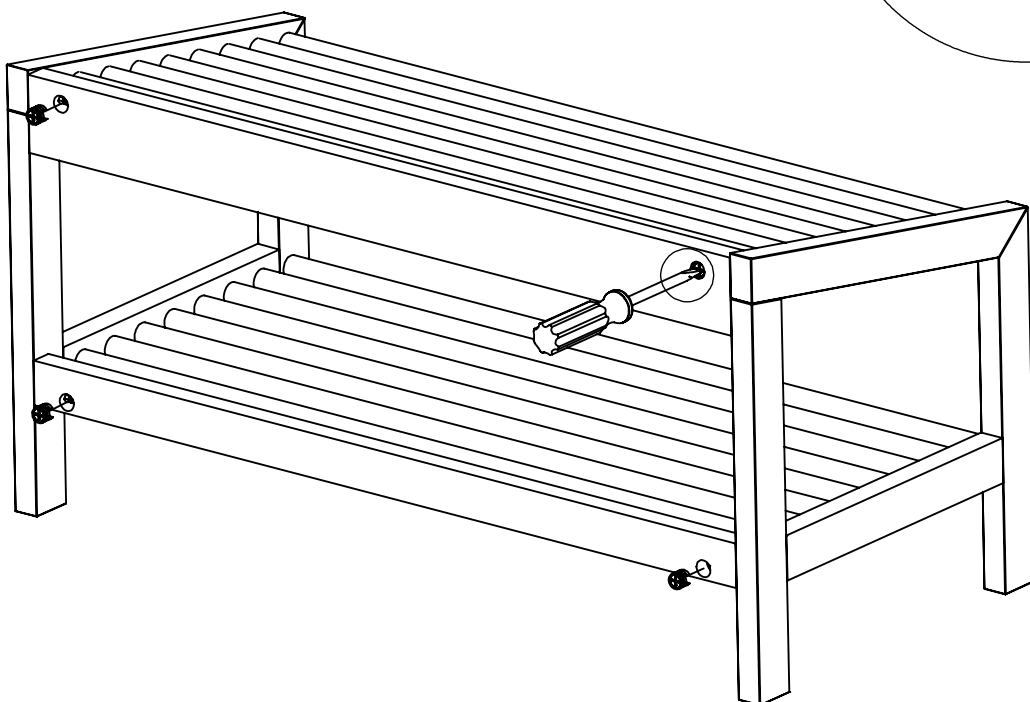
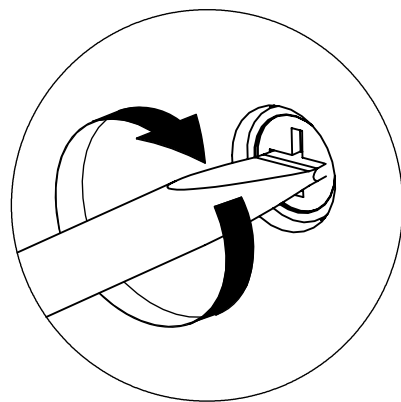
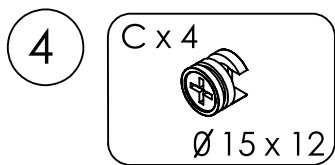
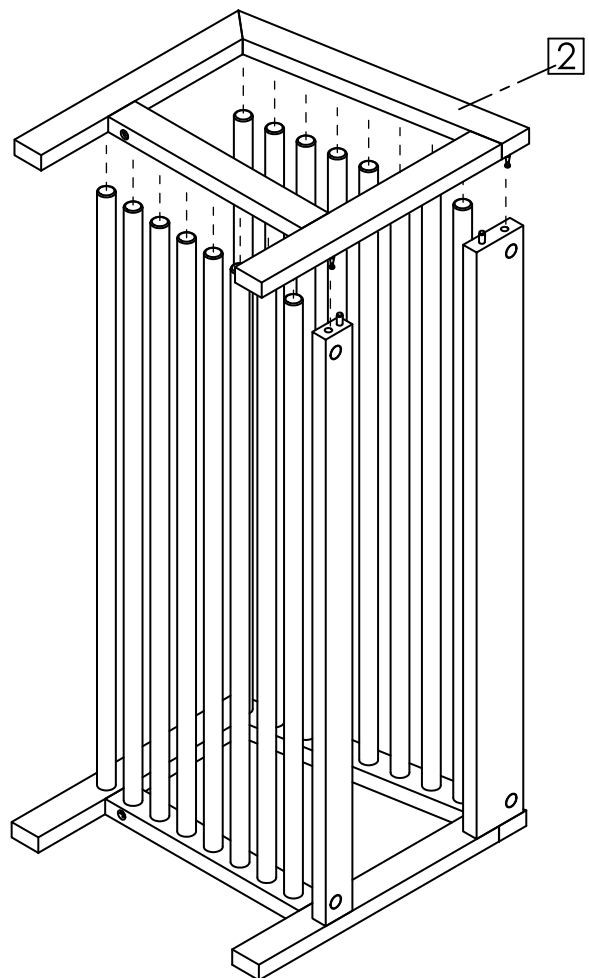
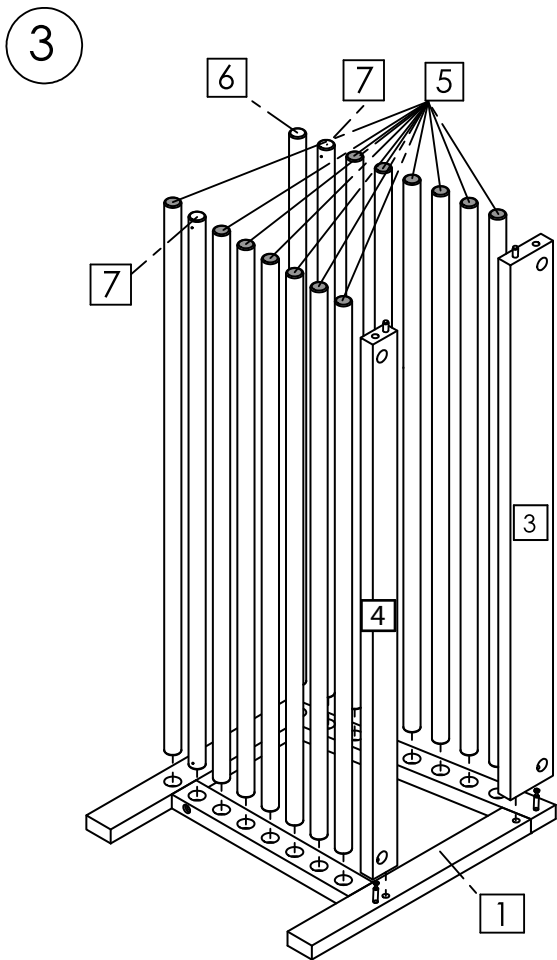
ROWICO

HOME

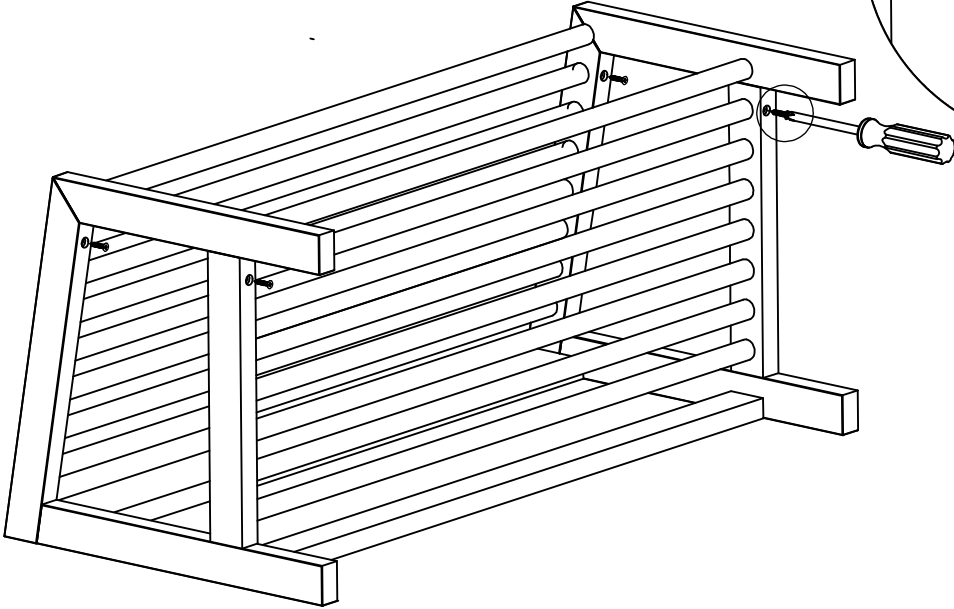
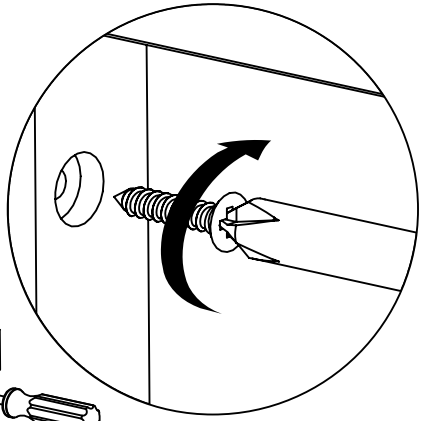
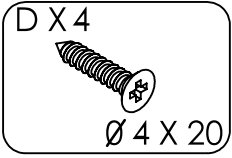


1 x 1 	2 x 1 	3 x 1 	4 x 1 	5 x 13
6 x 1 	7 x 2 	A x 4 Ø 8 x 30	B x 4 Ø 7 x 34	C x 4 Ø 15 x 12
D x 4 Ø 4 x 20	E x 4 Ø 20 x 2			





5



6

