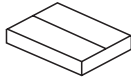




Kave® Cares



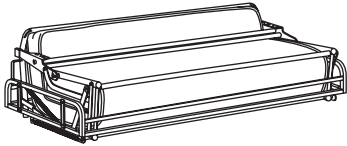
20 min



x4



x2



A x1



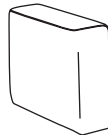
B x4



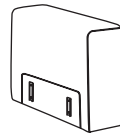
C x1



D x1



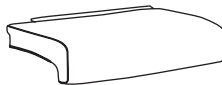
E x1



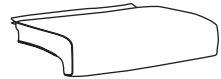
F x1



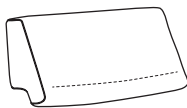
G x1



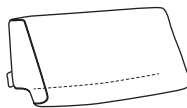
H x1



I x1



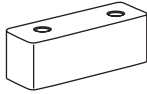
J x1



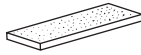
K x1



L x1



**M x4**



**N x8**



**O x8**  
M6x50mm



**P x1**  
4mm



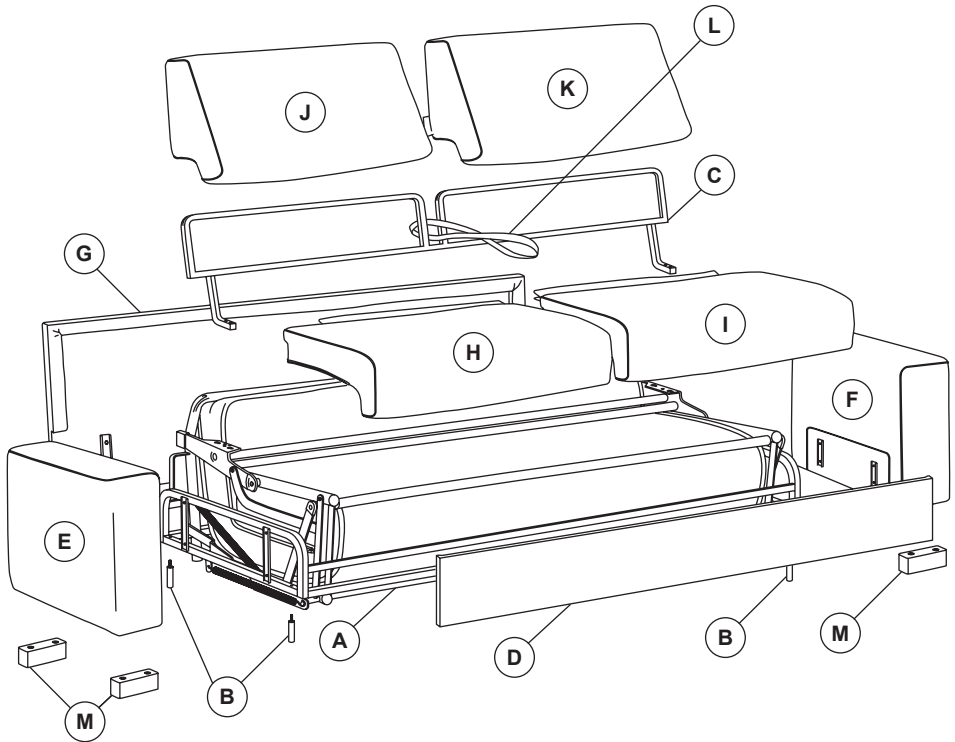
**Q x4**  
M6x30mm



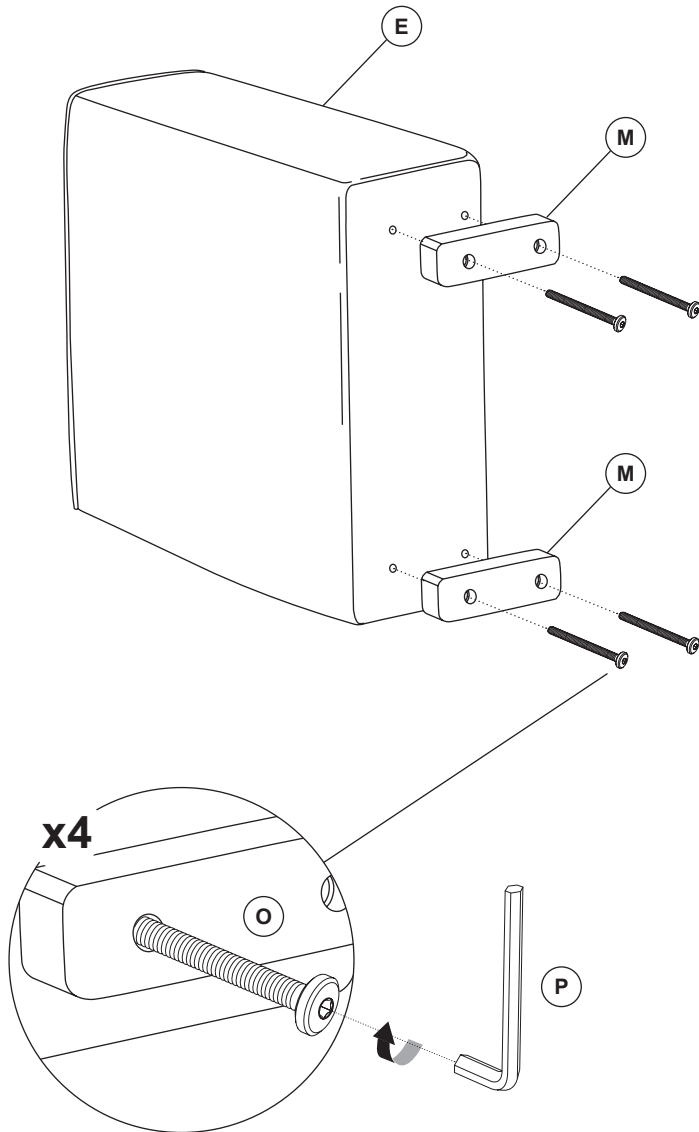
**R x4**  
M6



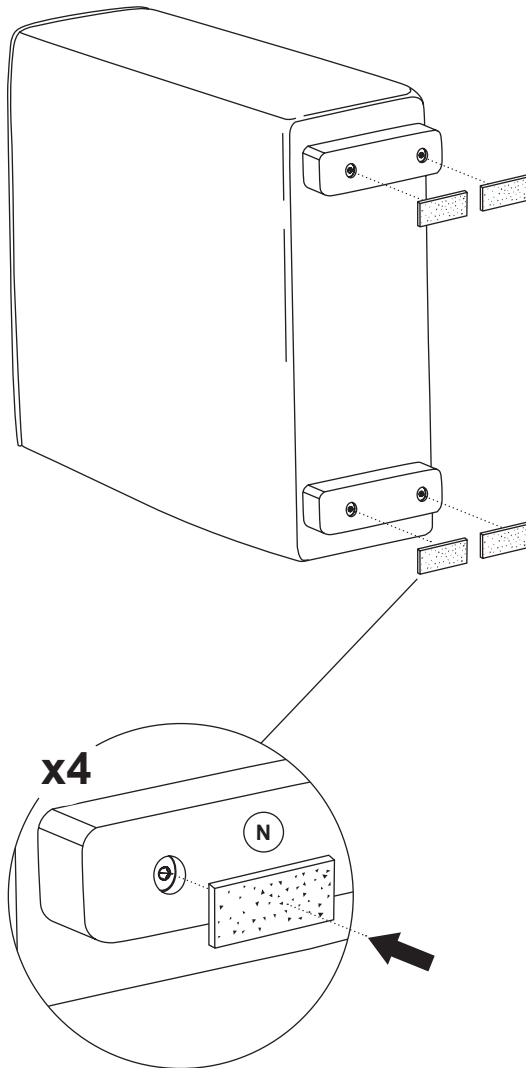
**S x4**  
M6



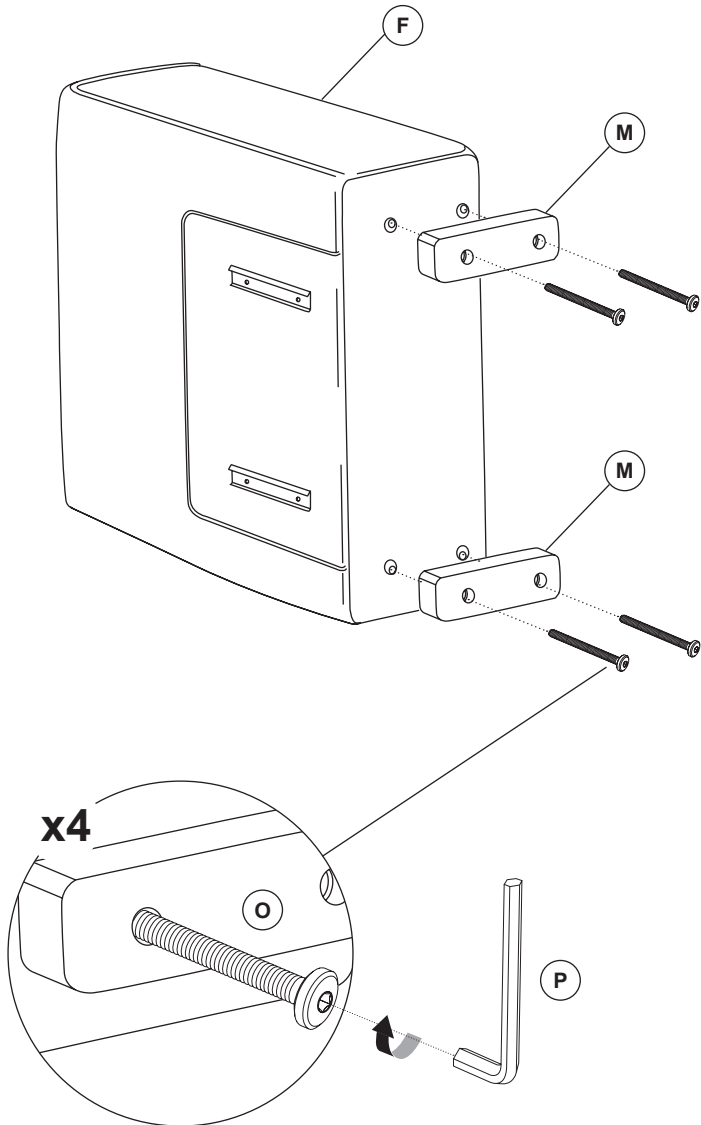
1



2

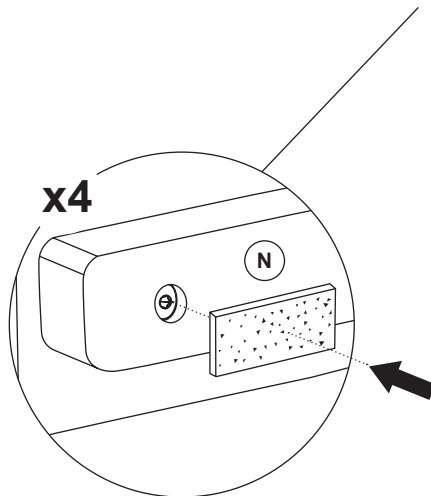
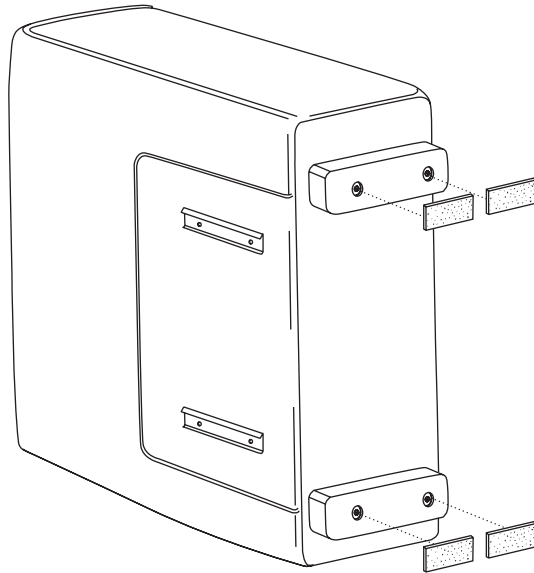


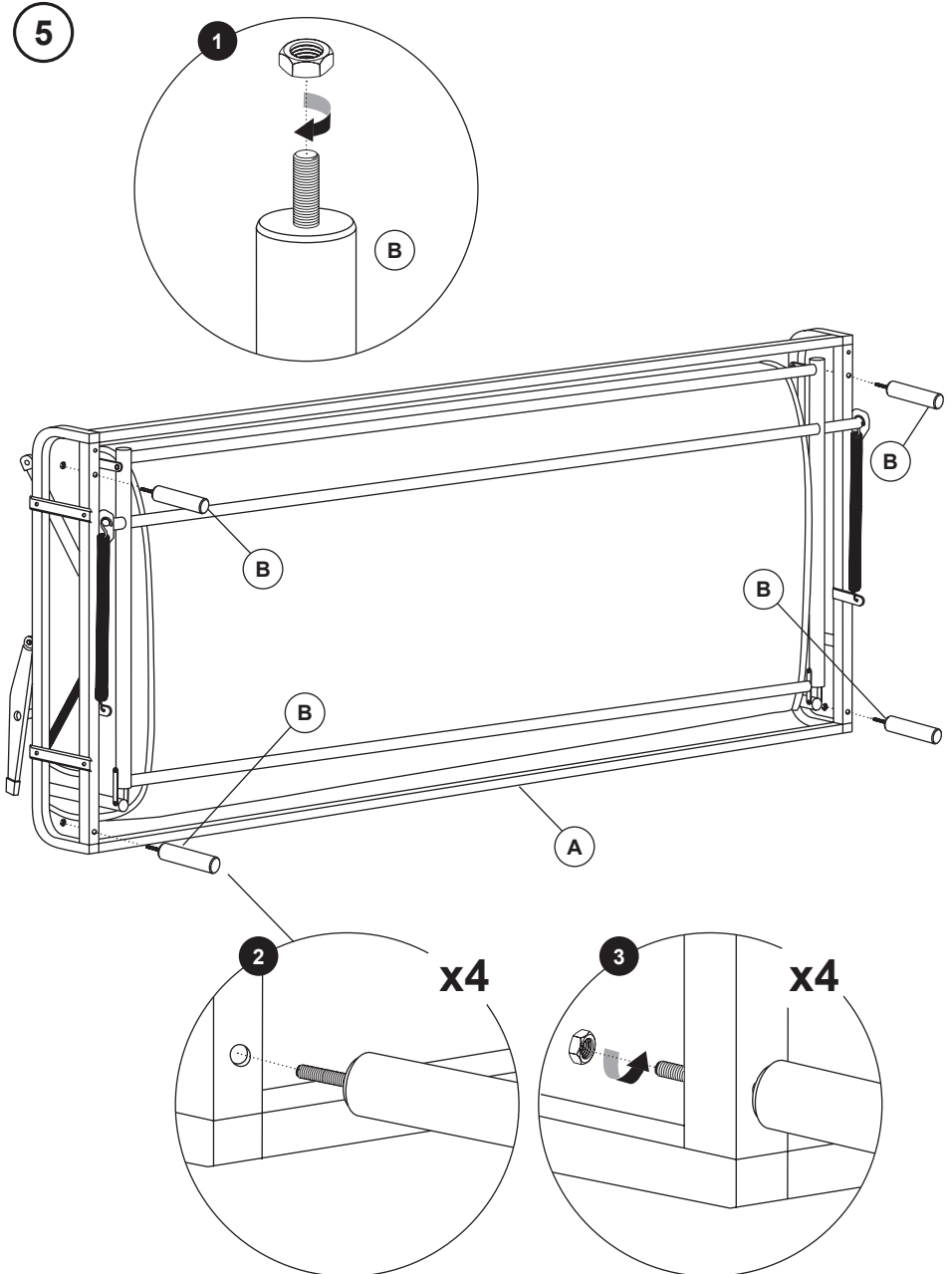
3



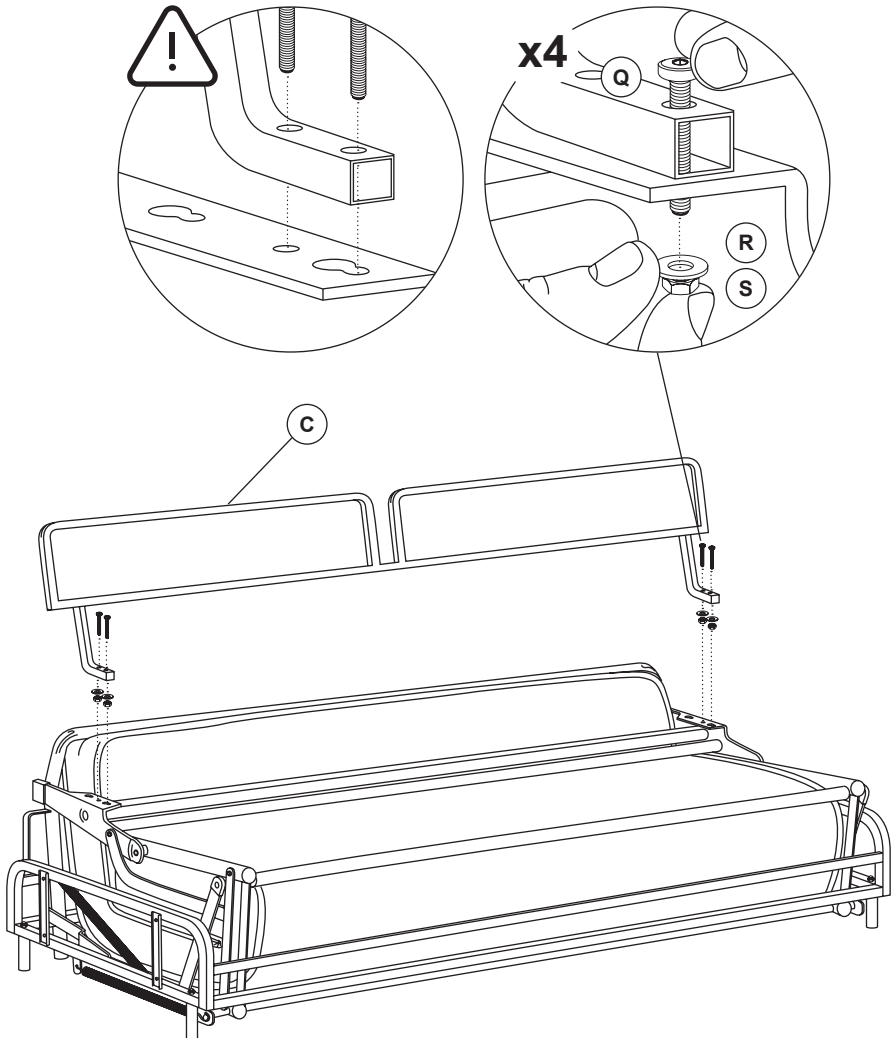


4

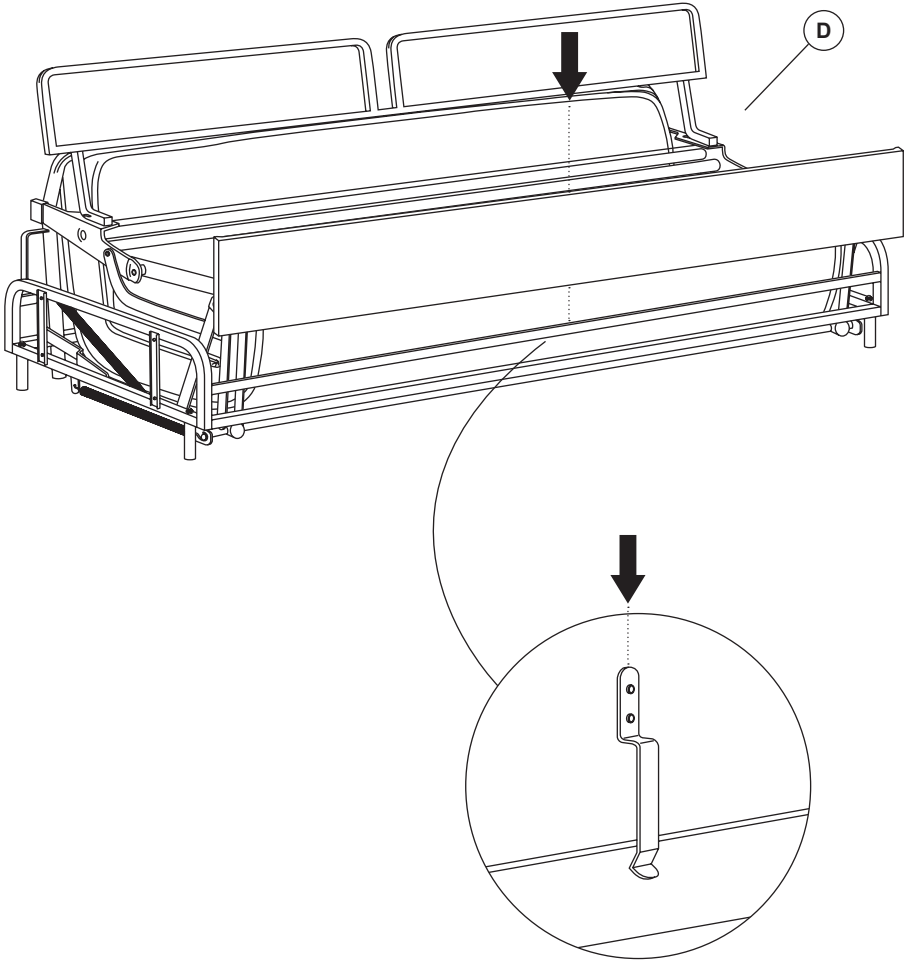




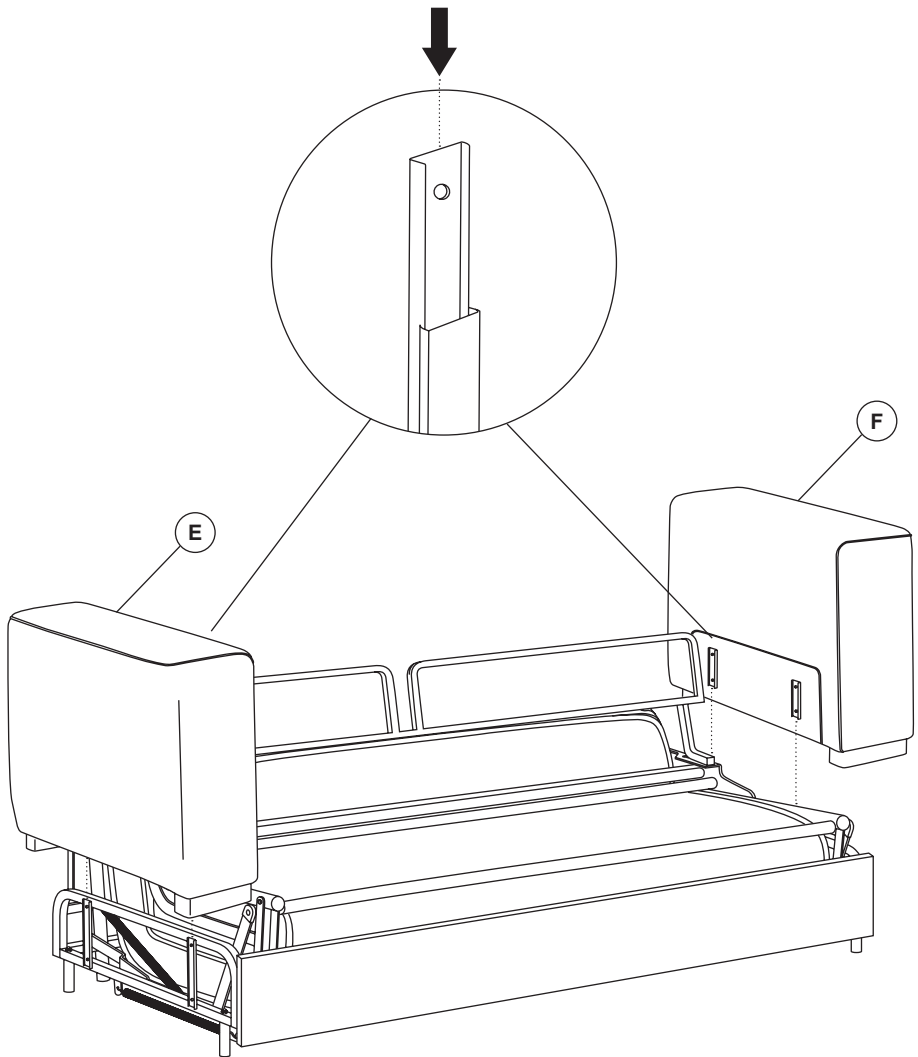
6



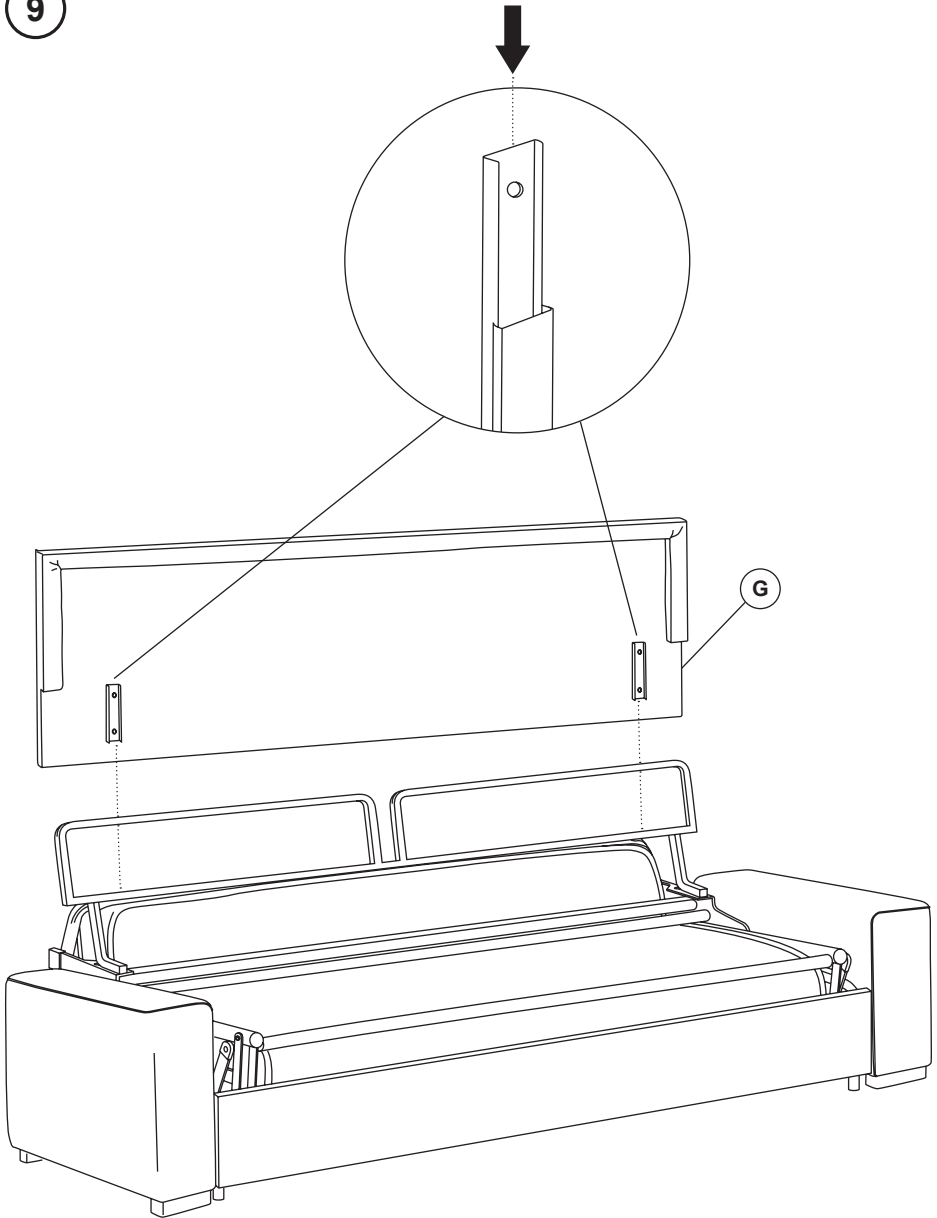
7



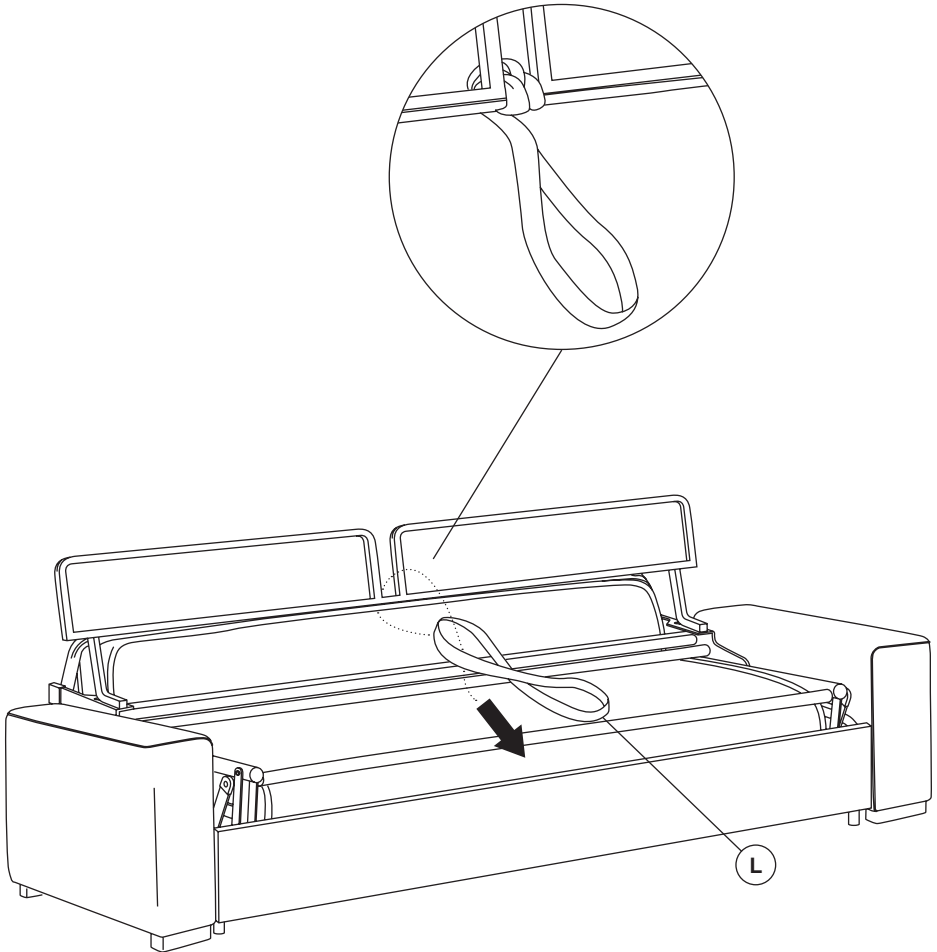
8



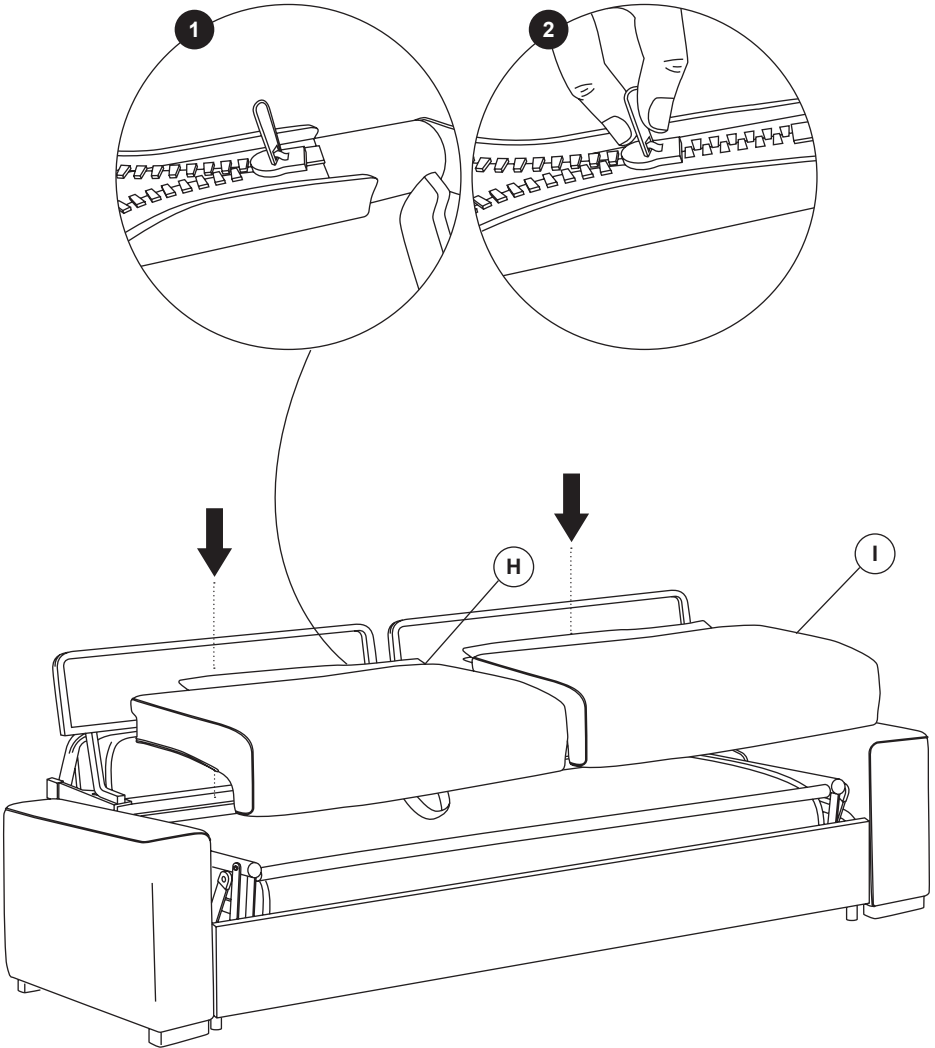
9



10

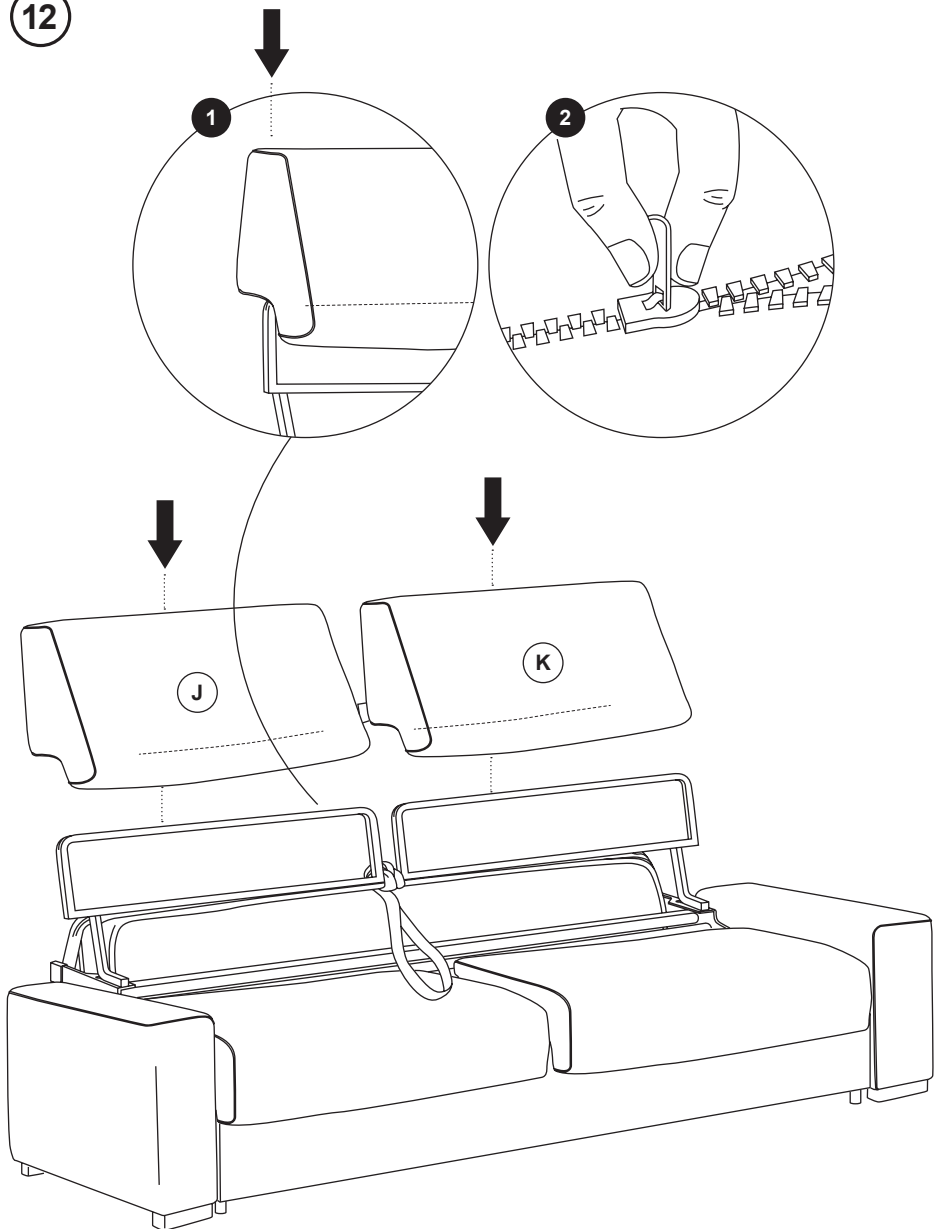


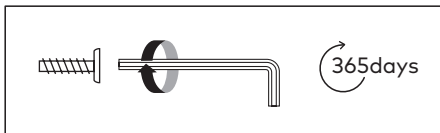
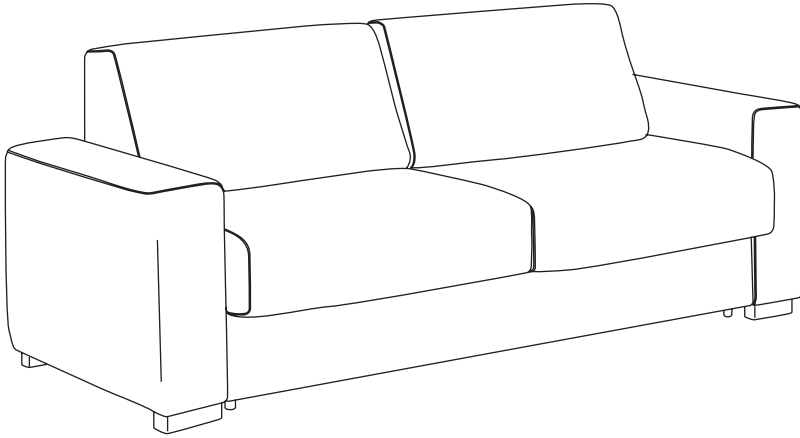
11

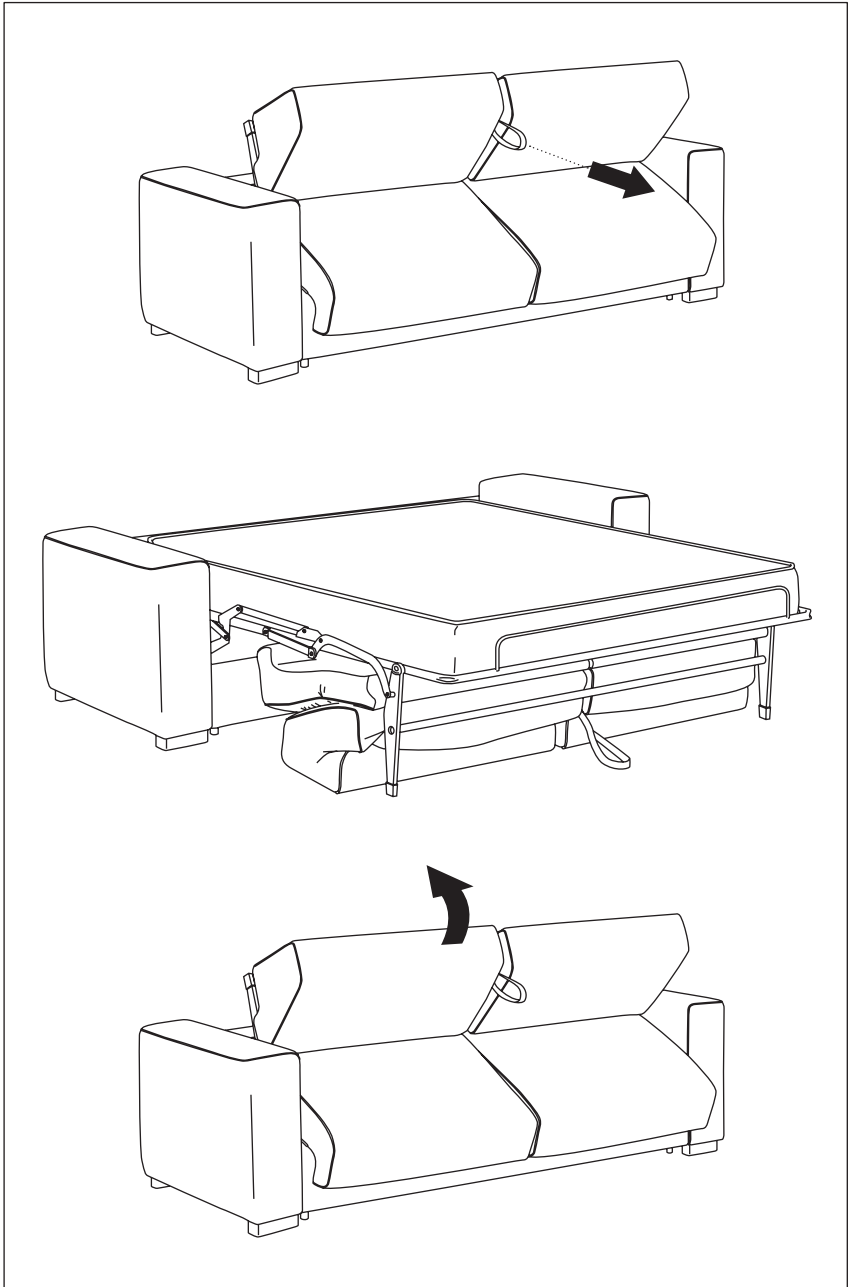




12









**THAT'S ALL FOLKS!**

Share your style!

**#KaveHome**

