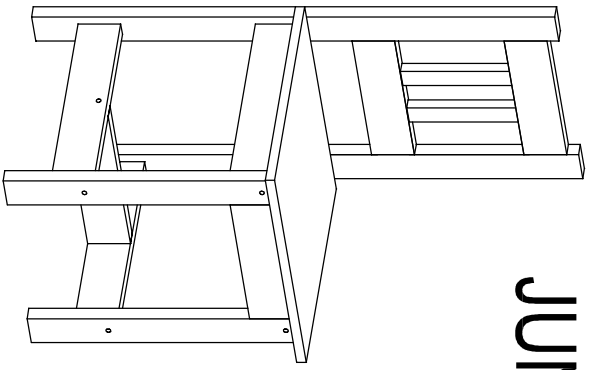


# JUNIOR



- A  $\varnothing 8 \times 32$  x10
- B  $\varnothing 6 \times 30$  x2
- C  $\varnothing 6,3 \times 50$  x10
- D  $\varnothing 4,0 \times 40$  x4
- SM4 x1

