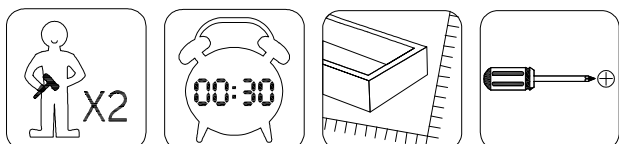
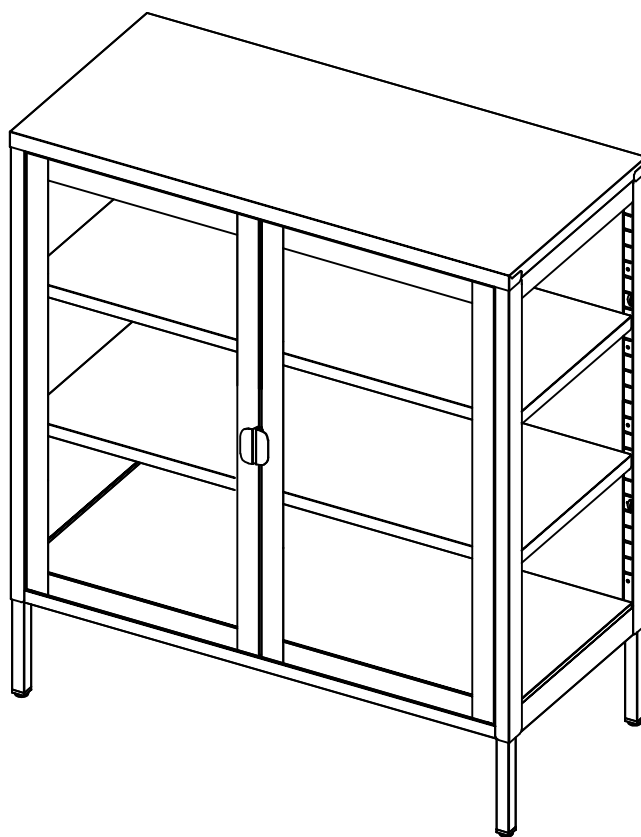
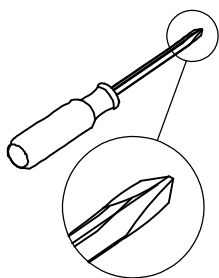
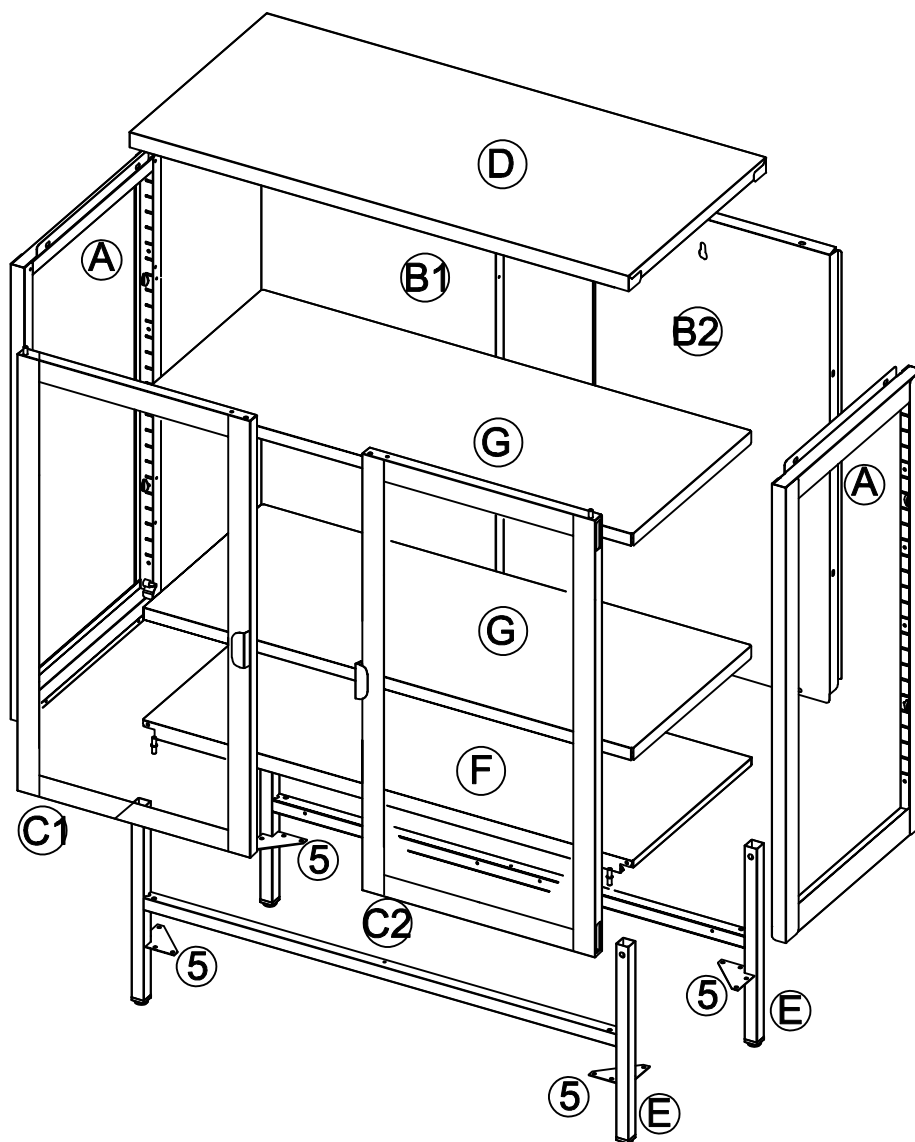


3001049

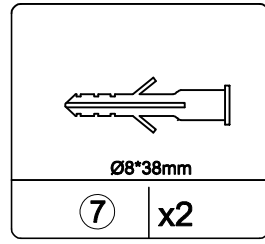
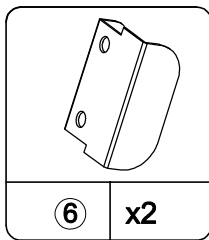
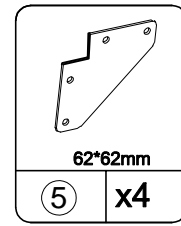
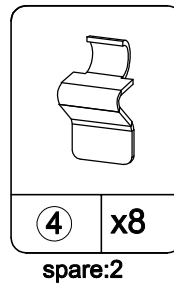
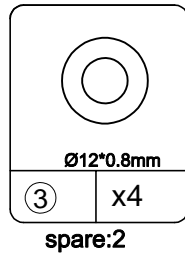
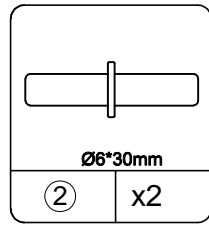
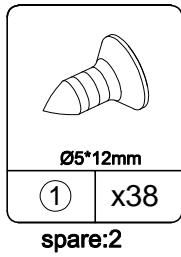
Brisbane Display Cabinet,
white with glass doors



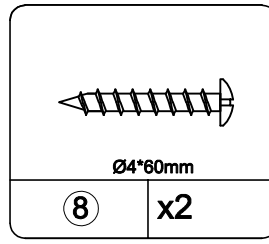


Hardware	Ctn No.	1
----------	---------	---

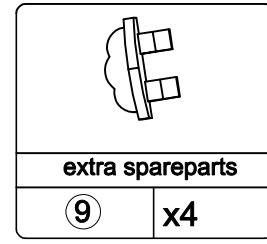
No.	Size	Qty
A	913x400x24mm	2
B1	885x380x23mm	1
B2	885x384.5x23mm	1
C1	866x374x20mm	1
C2	866x374x20mm	1
D	801x401.5x38mm	1
E	265x797x20mm	2
F	786x351x25mm	1
G	786x350x20mm	2



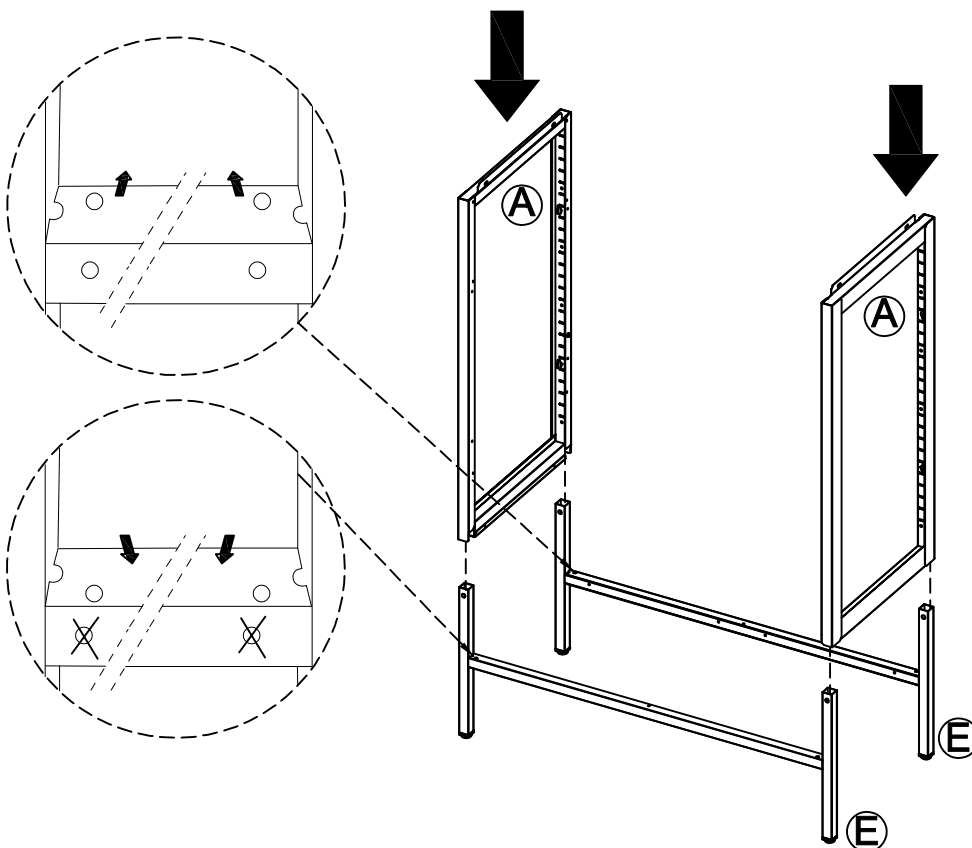
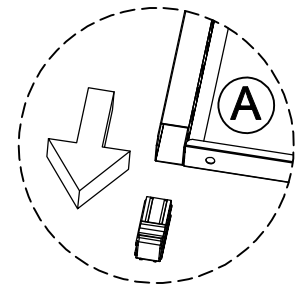
SCREW



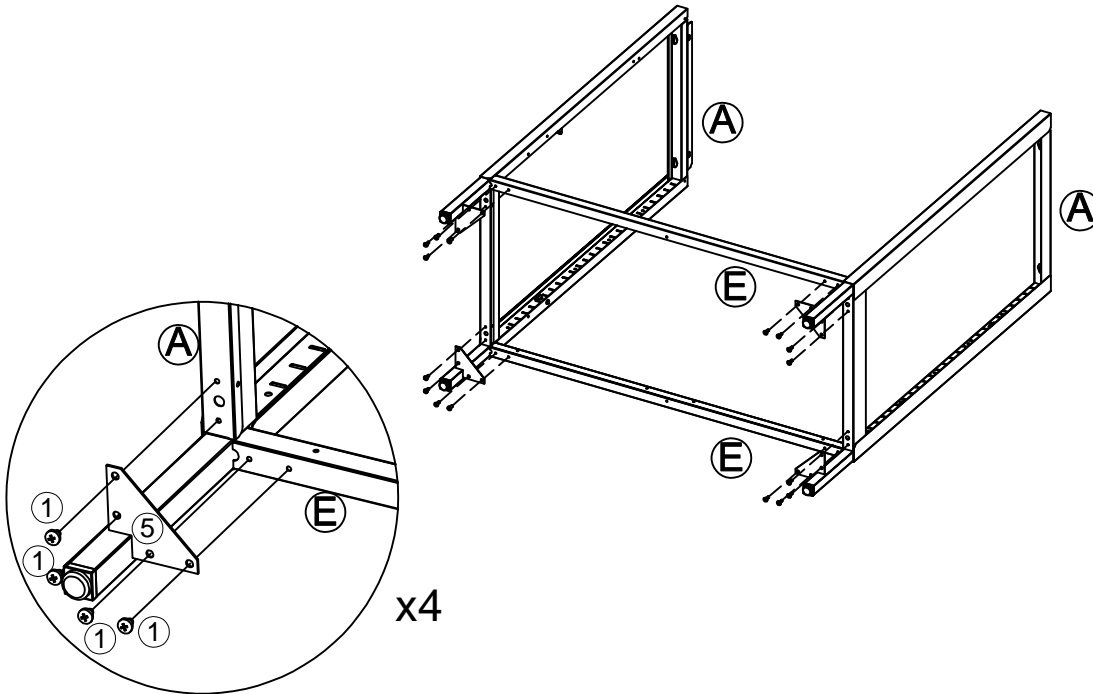
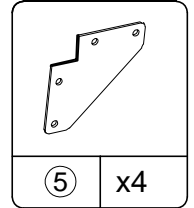
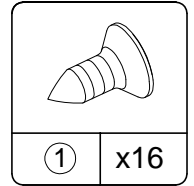
WALL ANCHOR



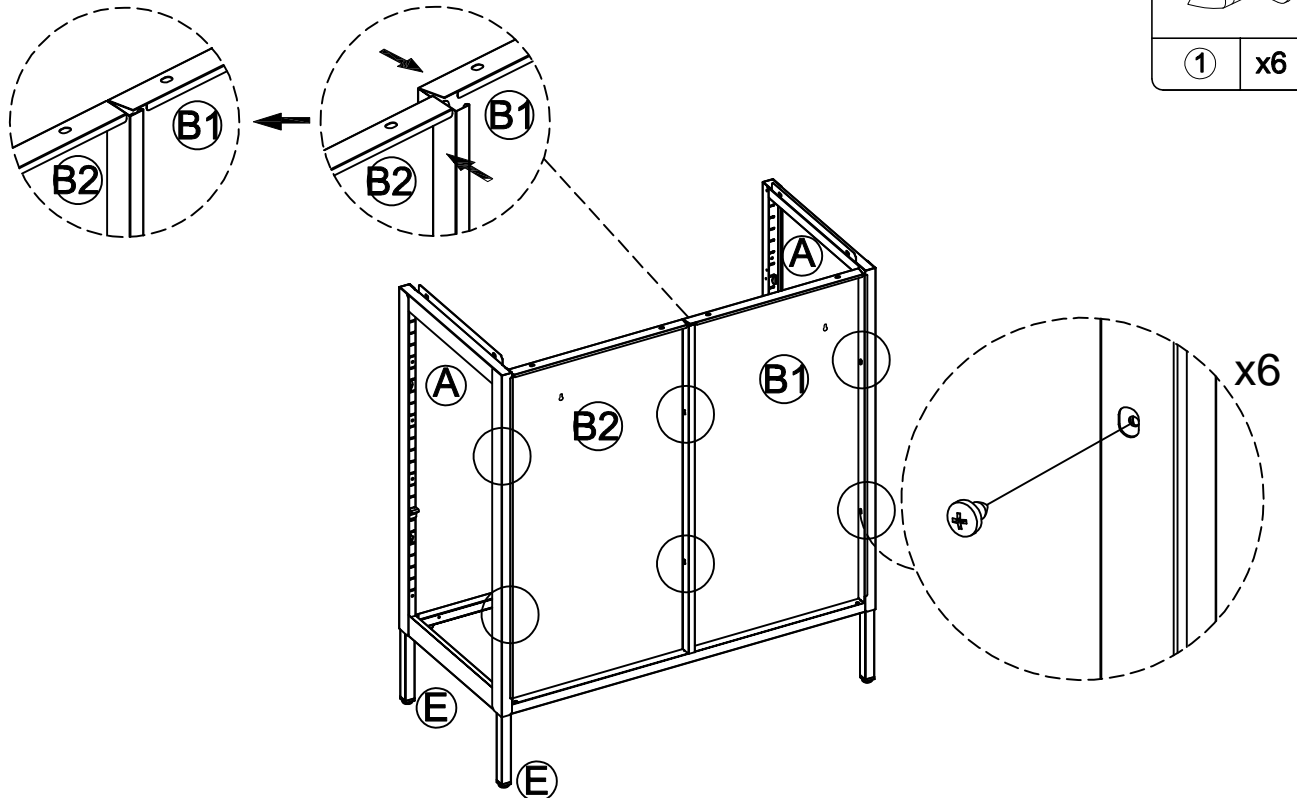
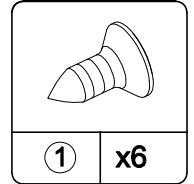
(1) - Attach (A) to (E) as below shown.



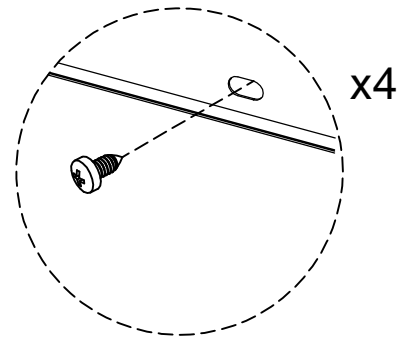
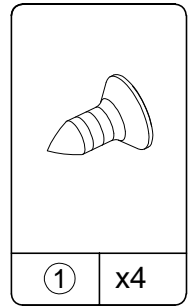
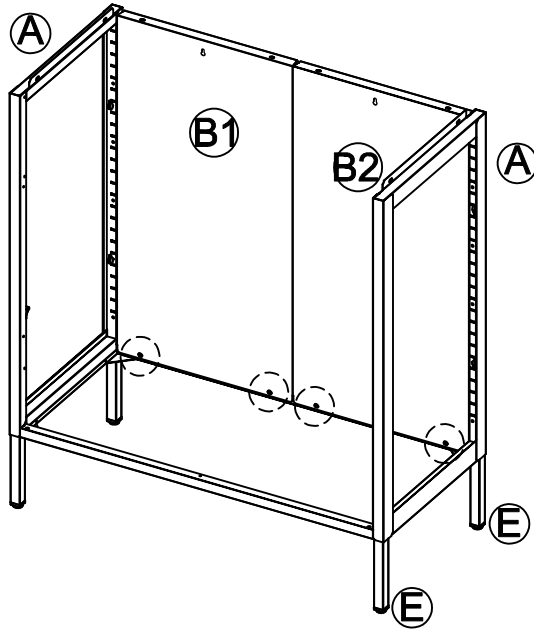
(2) - Attach ⑤ to (A)&(E) as below shown.



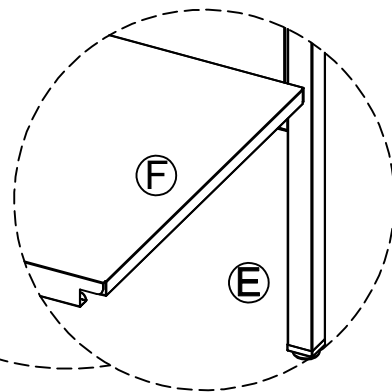
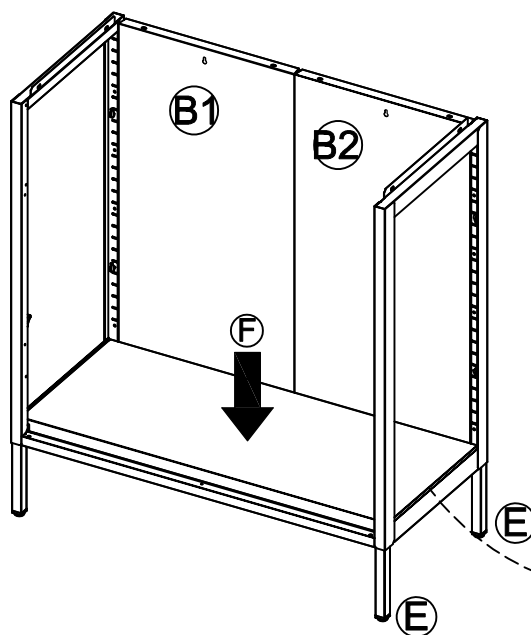
(3) - Attach (B1) & (B2) to (A) as below shown.



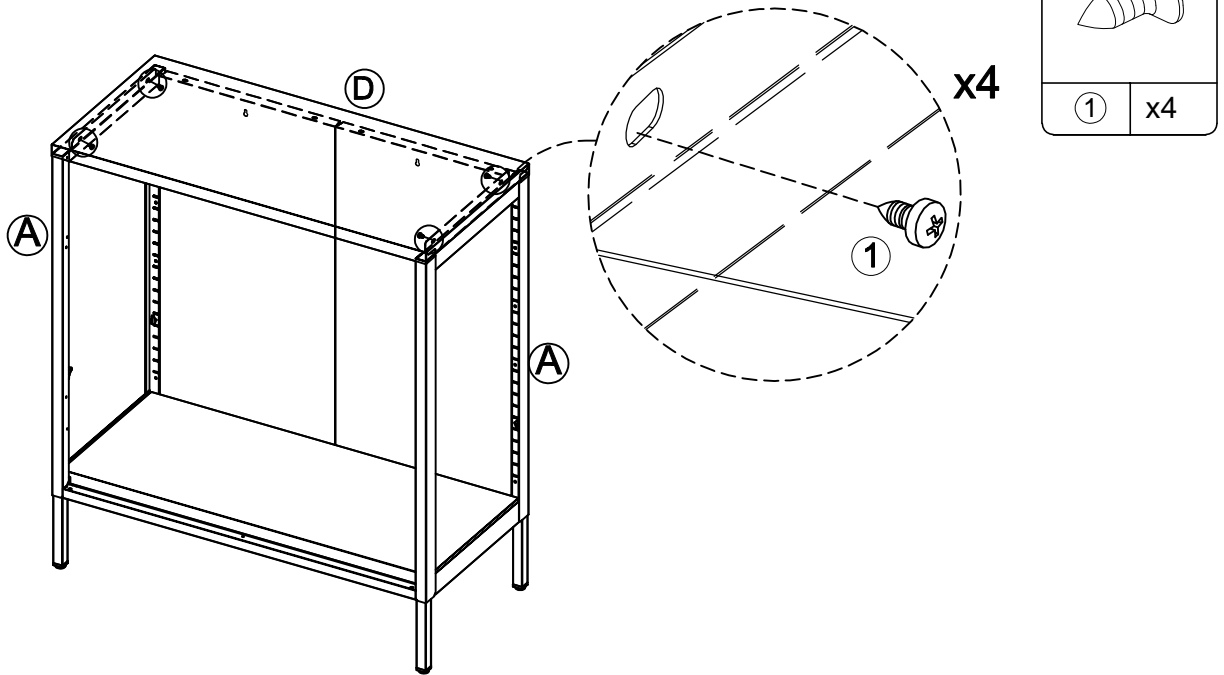
(4) - Attach (B) to (A) & (E) as below shown.



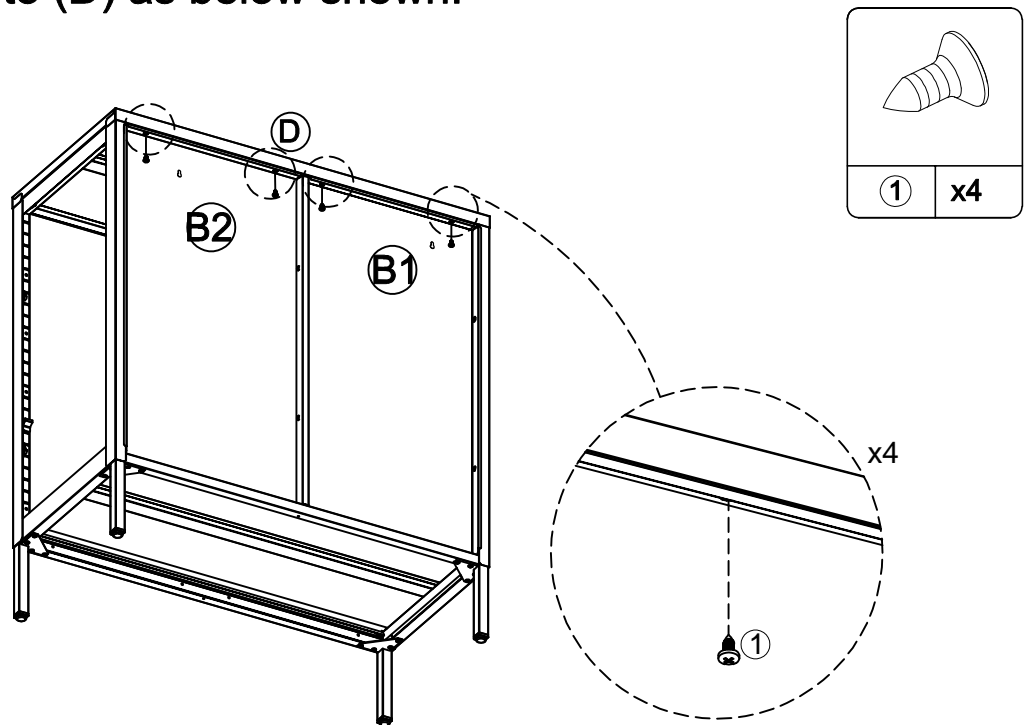
(5) - Attach (F) to (A) & (B) & (E) as below shown.



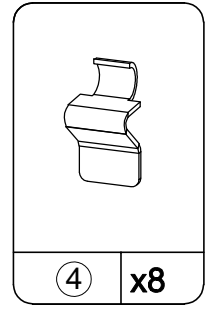
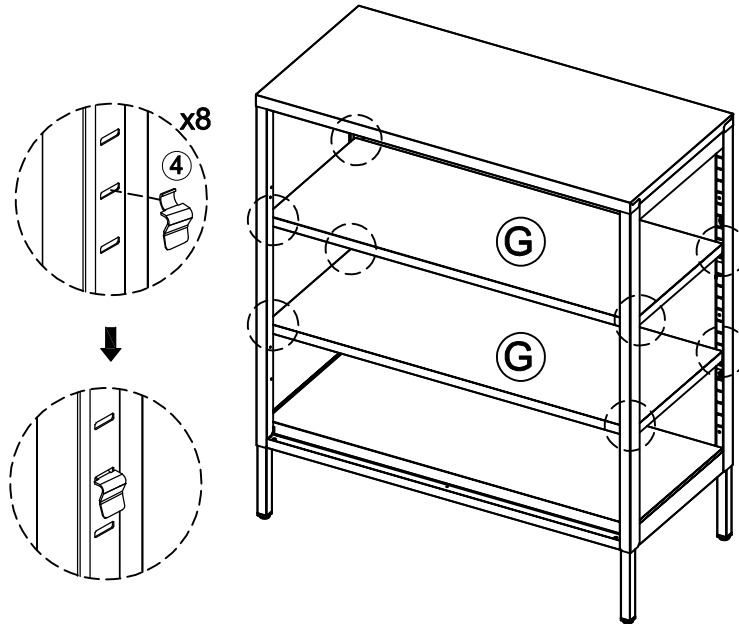
(6) - Attach (D) to (A) as below shown.



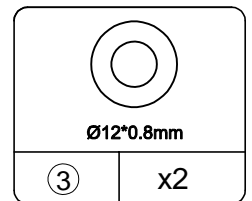
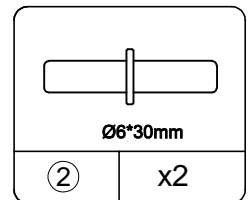
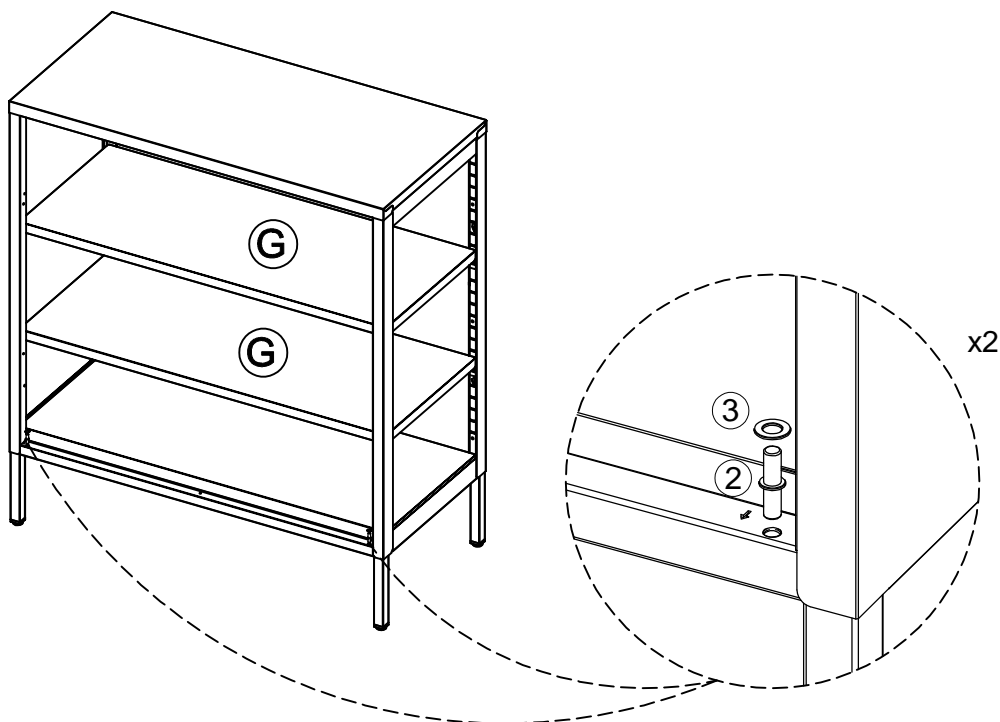
(7) - Attach (B) & (8) to (D) as below shown.



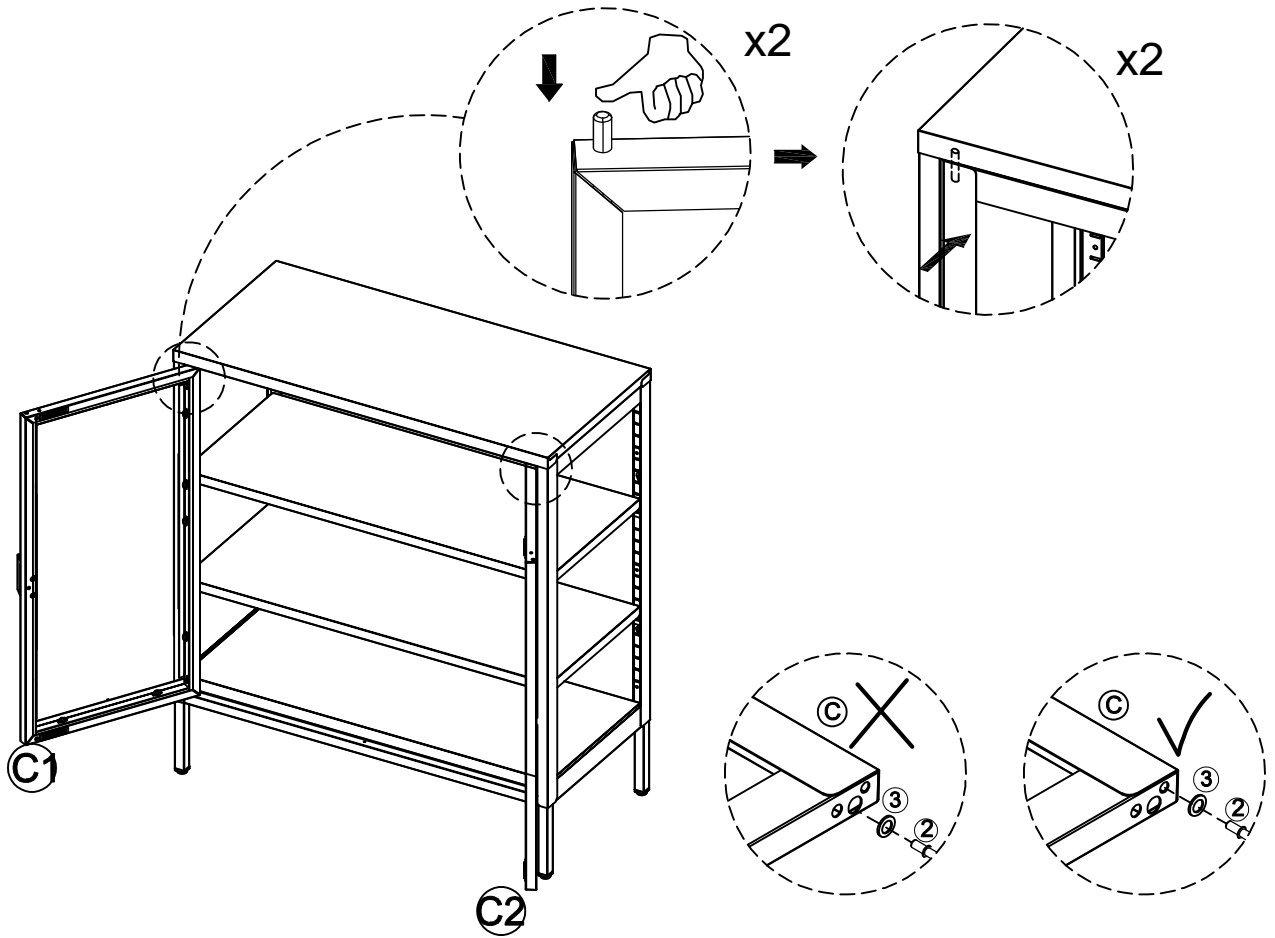
(8) - Attach (G) to pre-assembled unit as below shown.



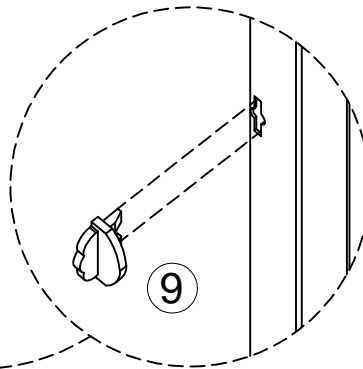
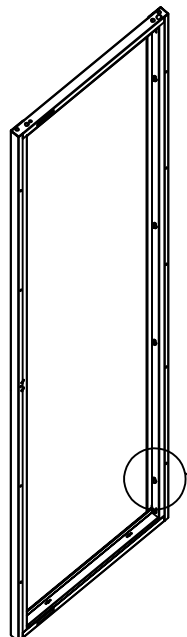
(9) - Attach (2) & (3) to pre-assembled unit as below shown.



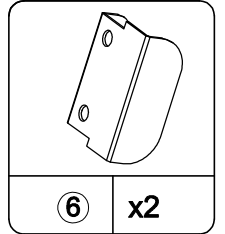
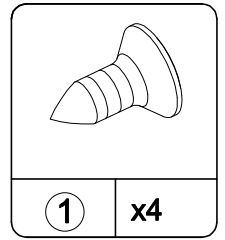
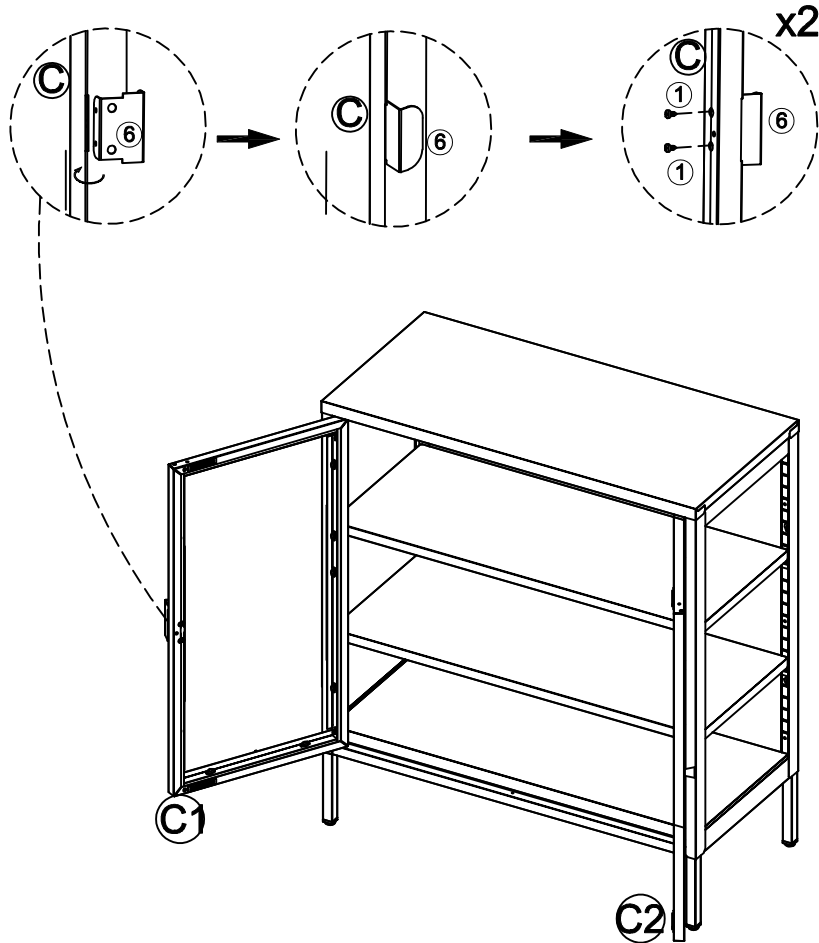
(10) - Attach (C) to pre-assembled unit as below shown.



spare parts of glass buckle



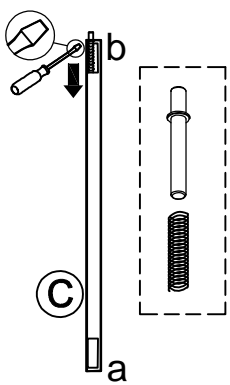
(11) - Attach (6) to (C) as below shown.



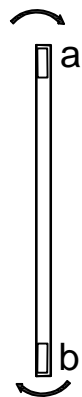
door pillar exchange process

WARNING

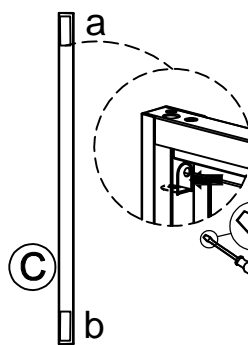
This step is just to switch the left door to the right door!



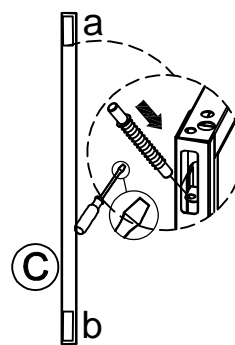
STEP 1



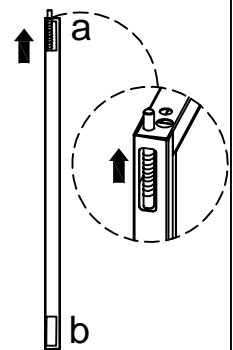
STEP 2



STEP 3

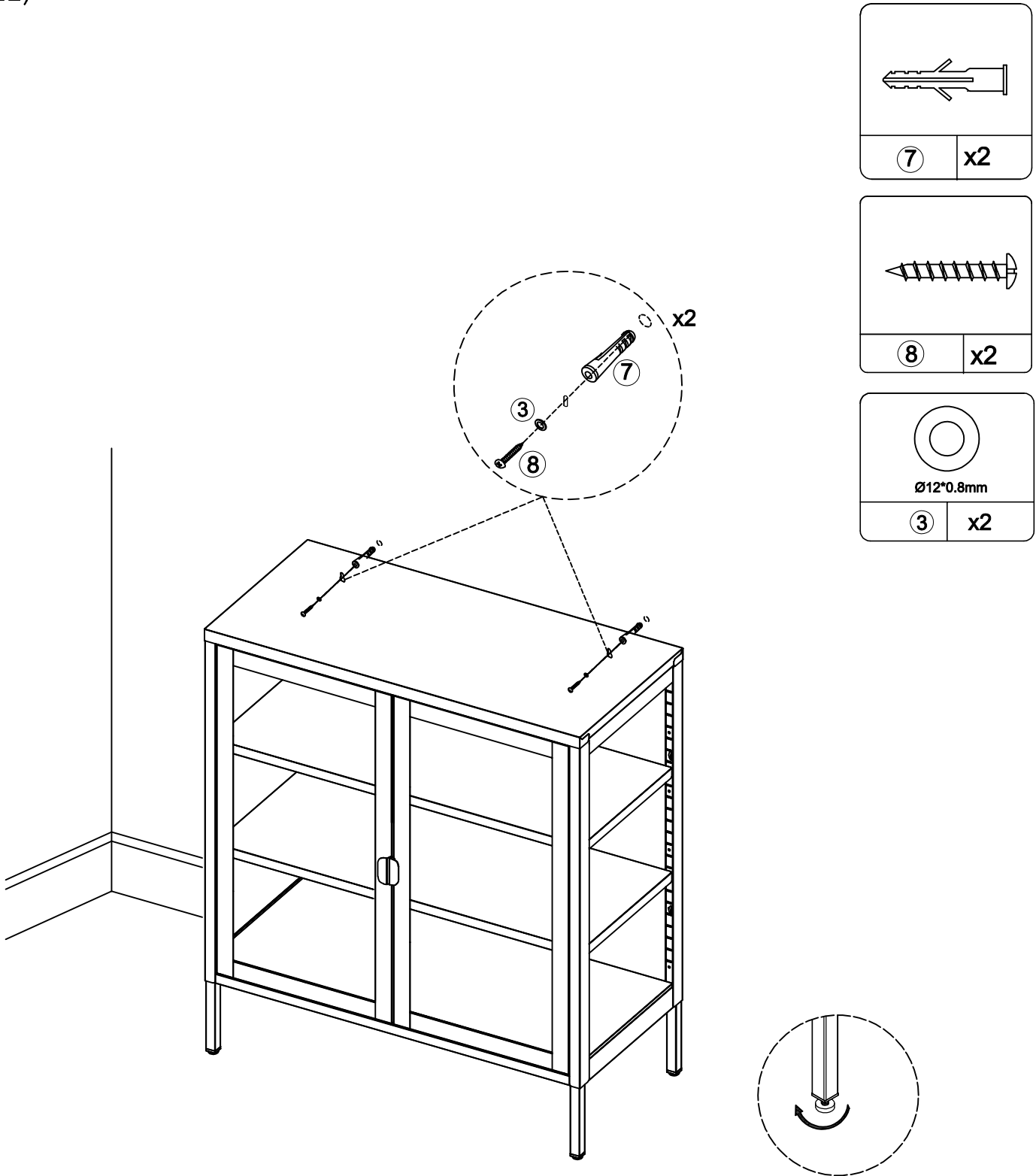


STEP 4



STEP 5

(12)



Gaps may appear between the top of the doors and the frame if the item is not on level ground; use the plastic foot cover to level.