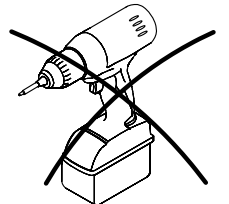
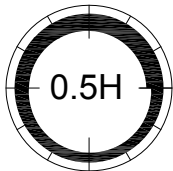
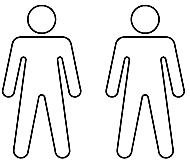
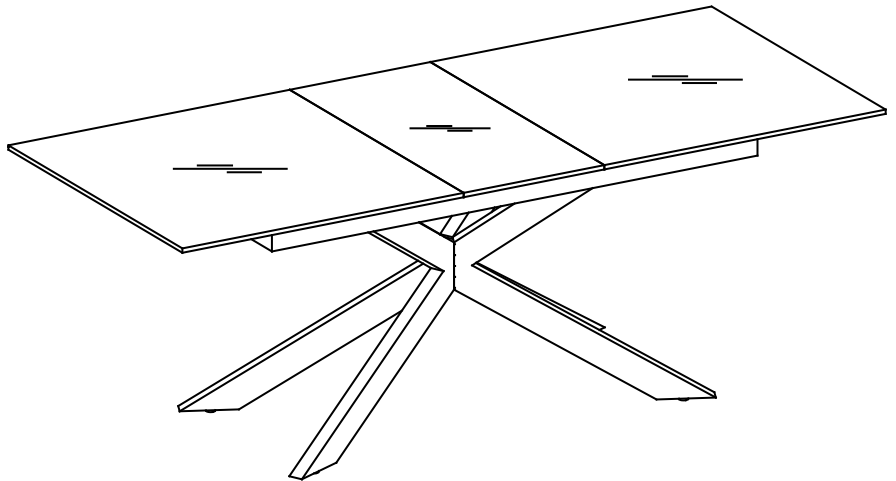
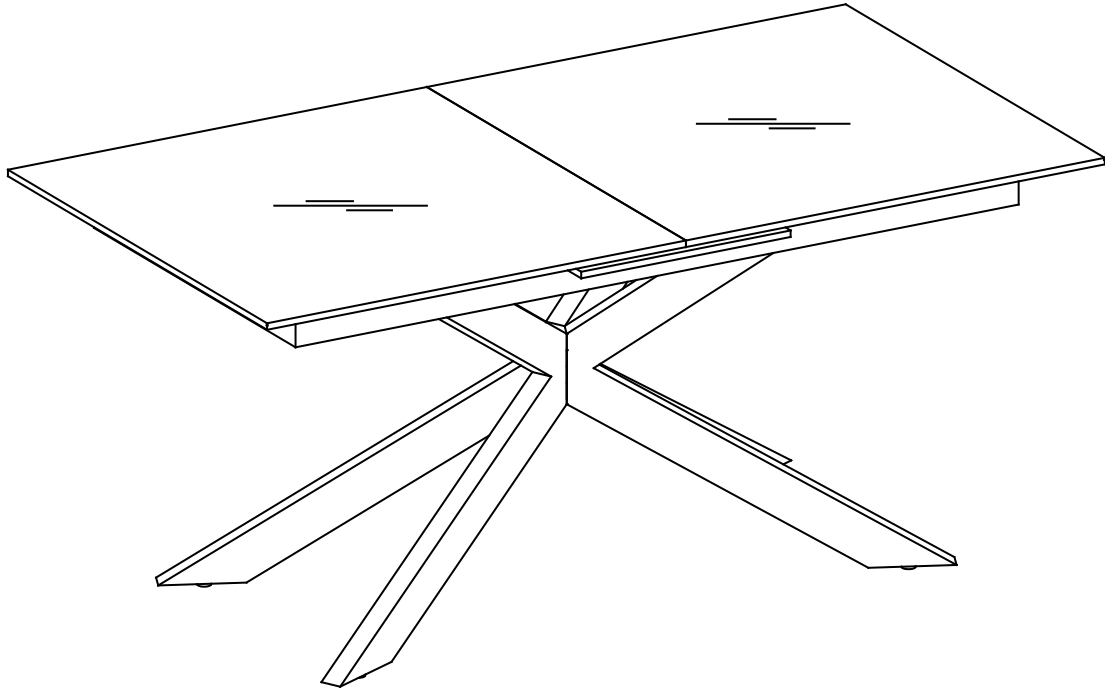
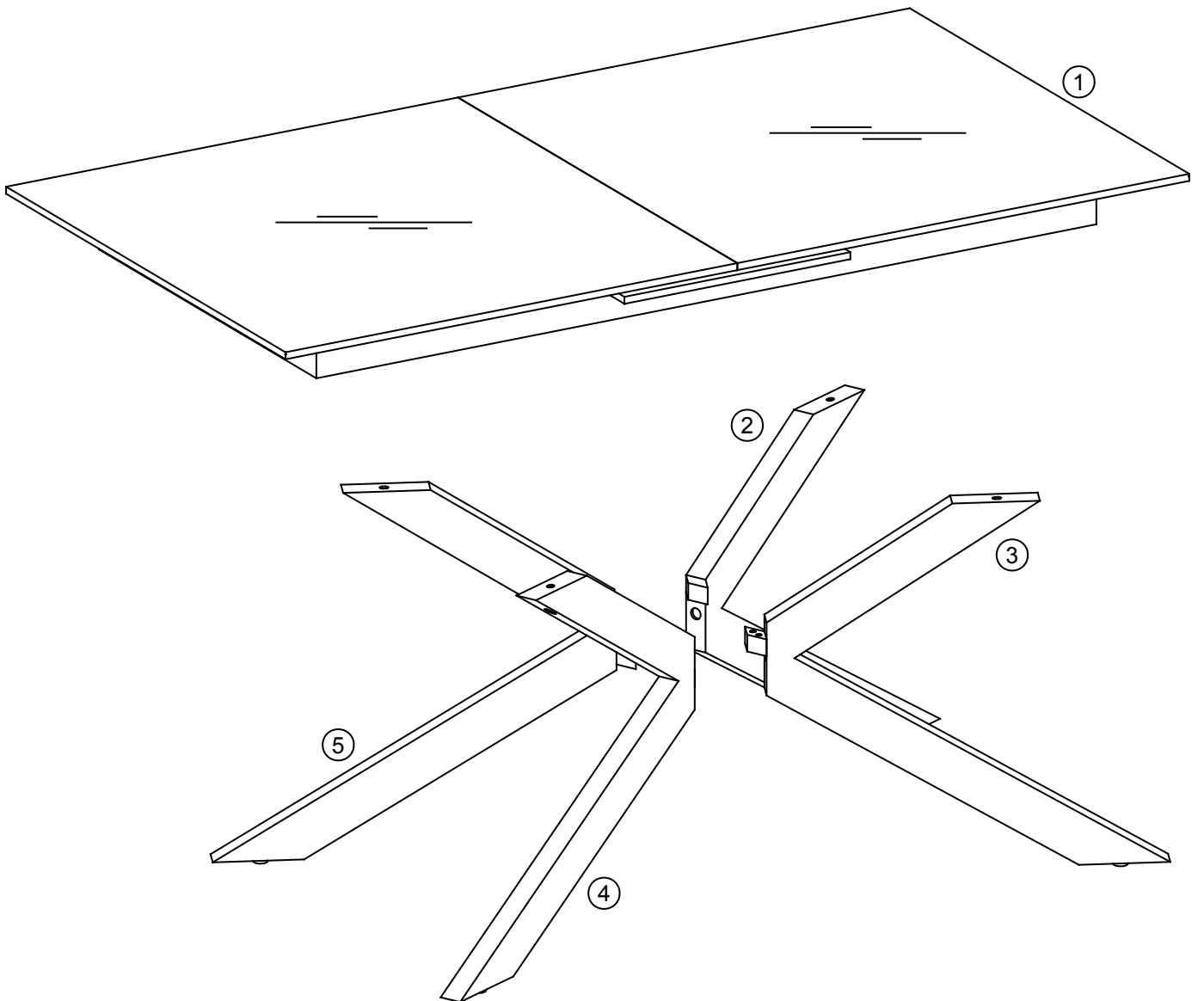
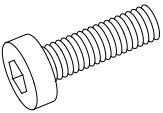
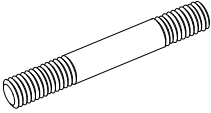


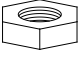
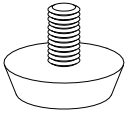
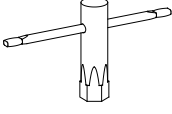

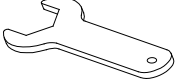



IRWINE

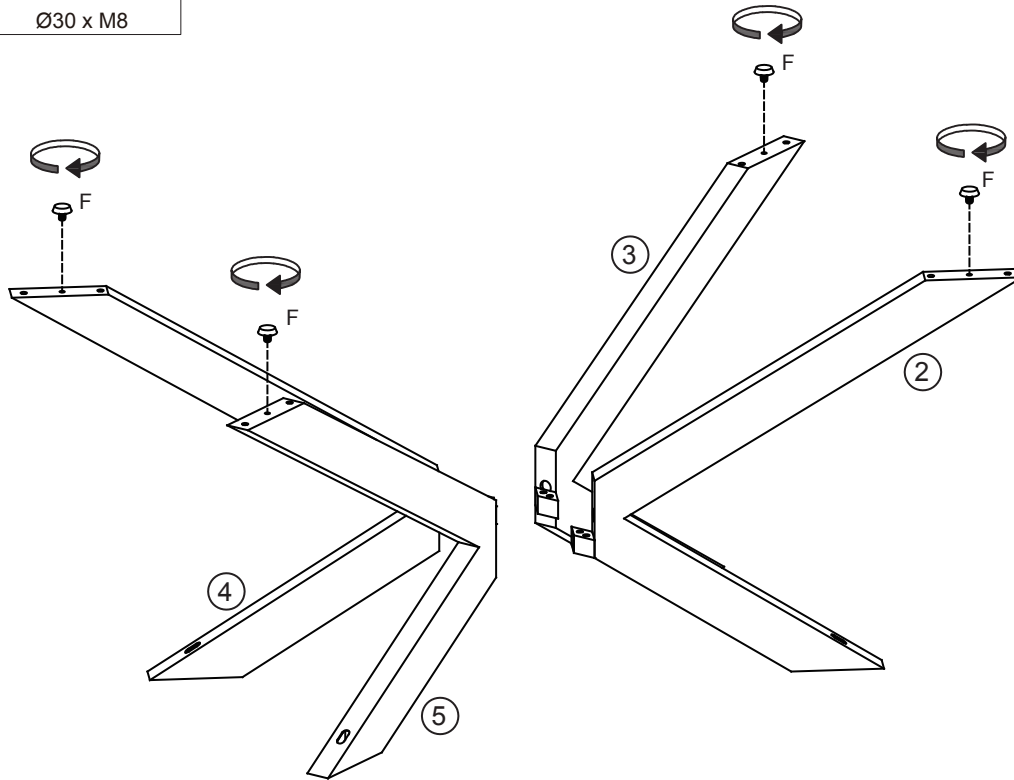
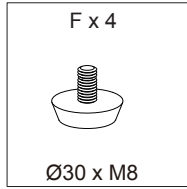


| | | | |
|---|---|---------------|---|
| | | | ✓ |
| ① | 1 | 2000x1000x100 | |
| ② | 1 | 650x835x40 | |
| ③ | 1 | 650x835x40 | |
| ④ | 1 | 650x835x40 | |
| ⑤ | 1 | 650x835x40 | |

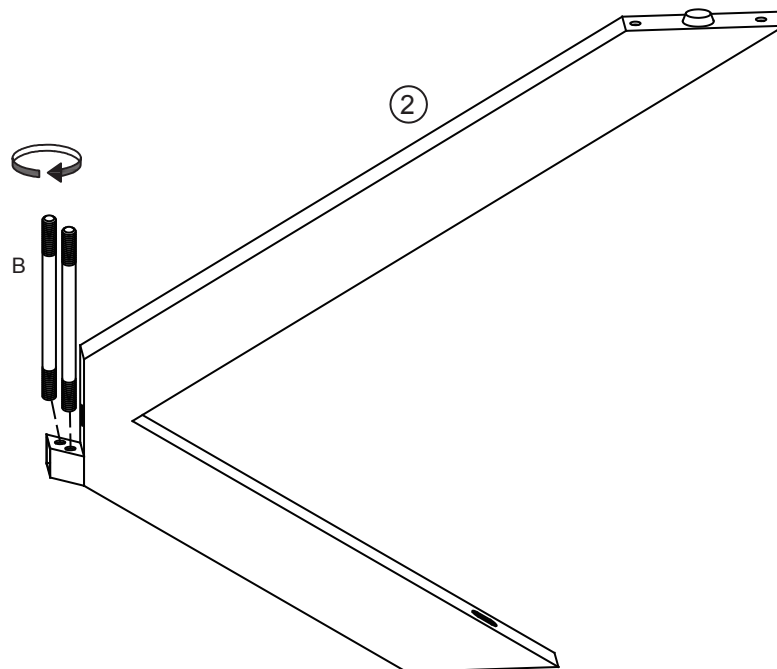
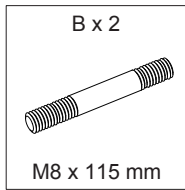


| | | | | |
|---|---|---|---|---|
| <p>A x 4</p>  <p>M8 x35 mm</p> | <p>B x 2</p>  <p>M8 x 115 mm</p> | <p>C x 2</p>  <p>Ø8.5/Ø11 mm</p> | <p>D x 2</p>  <p>Ø8.5/Ø13 mm</p> | <p>E x 2</p>  <p>M8/14mm</p> |
| <p>F x 4</p>  <p>Ø30 x M8</p> | <p>G x 1</p>  <p>14 mm</p> | <p>H x 1</p>  <p>5 mm</p> | <p>J x 2</p>  <p>14 mm</p> | <p>K x 1</p>  <p>4 mm</p> |

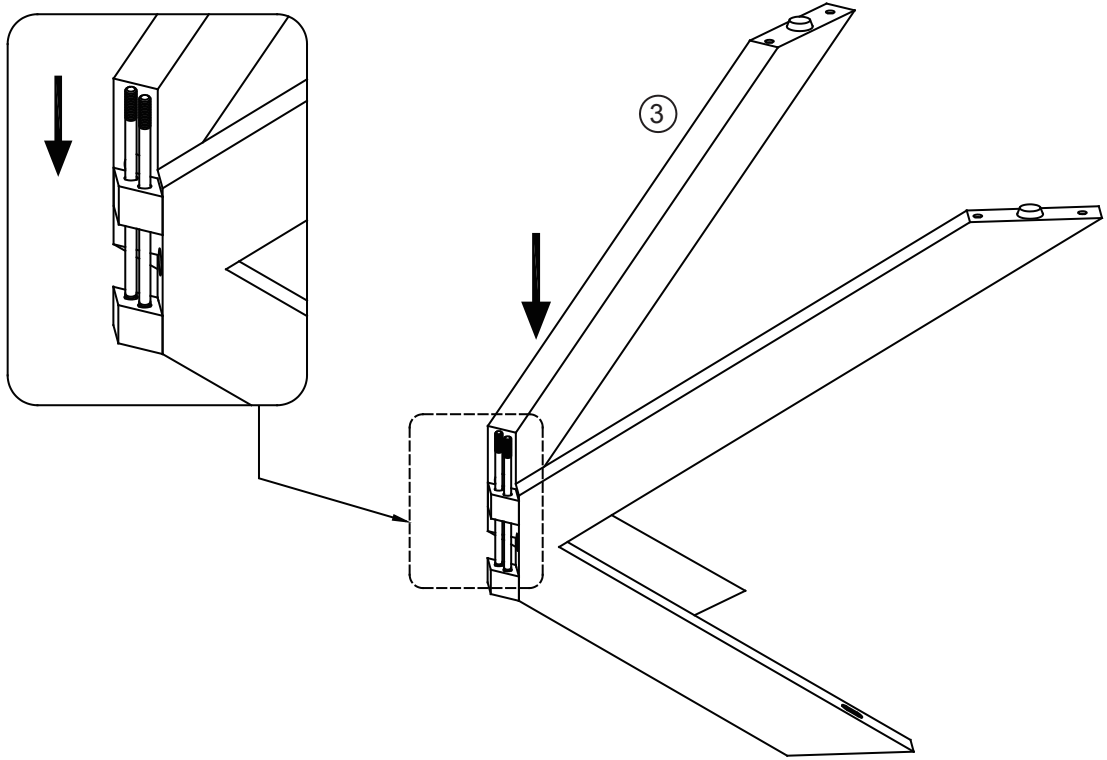
1



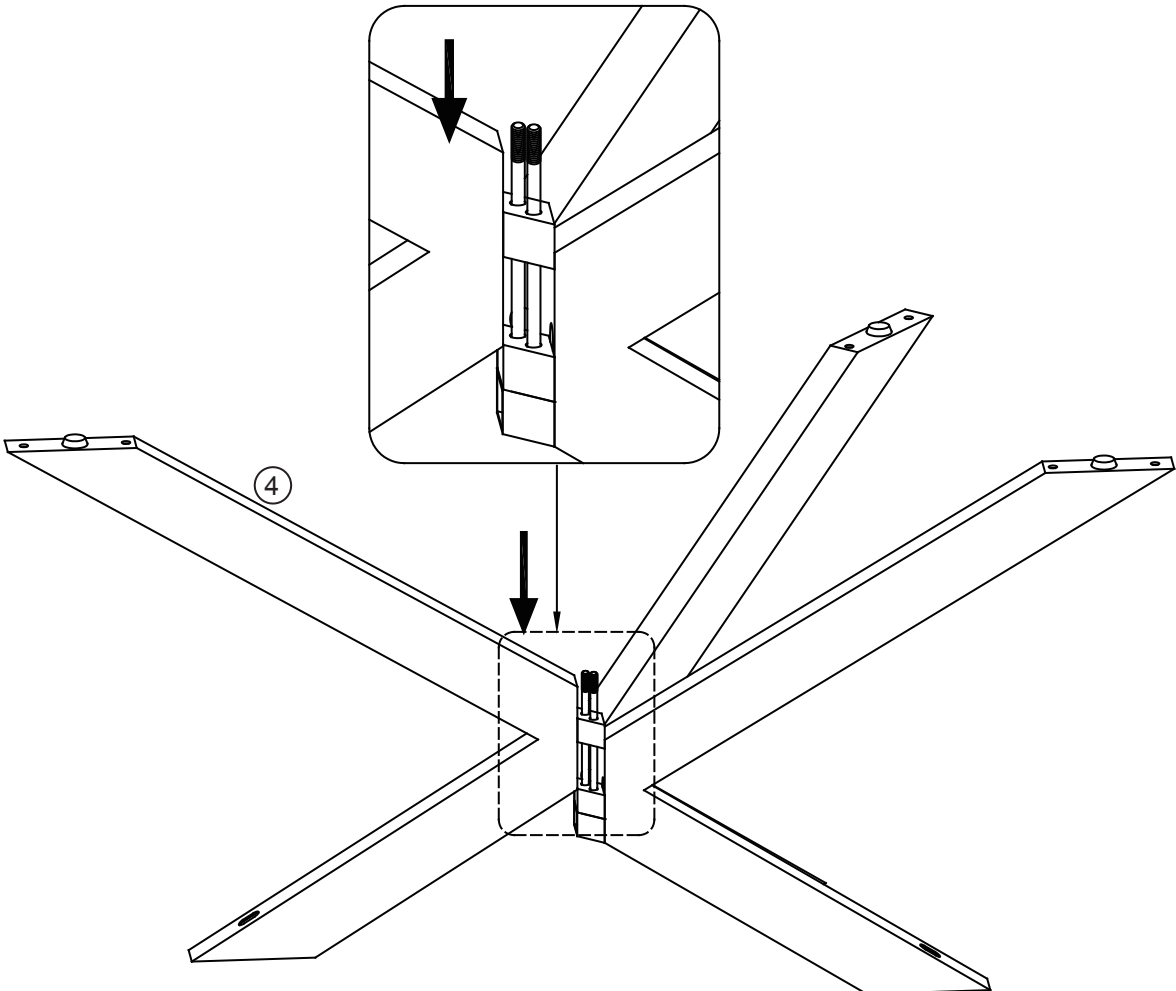
2



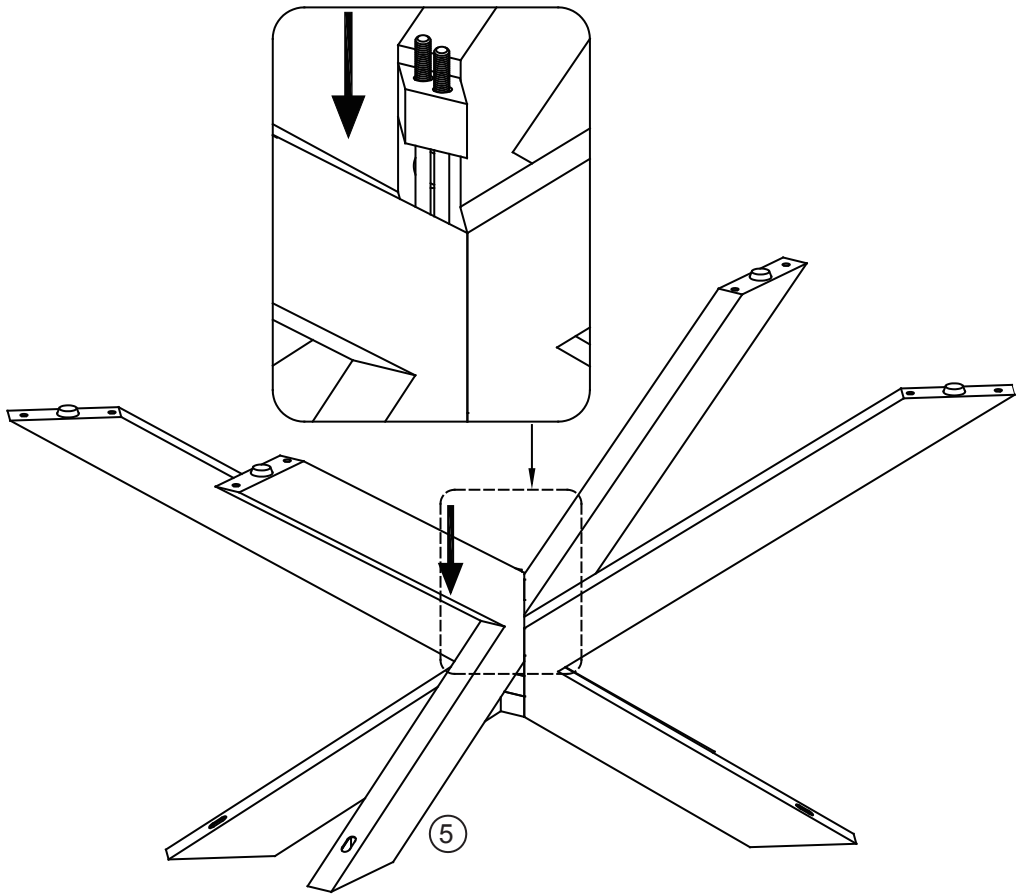
3






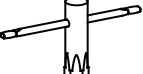
4

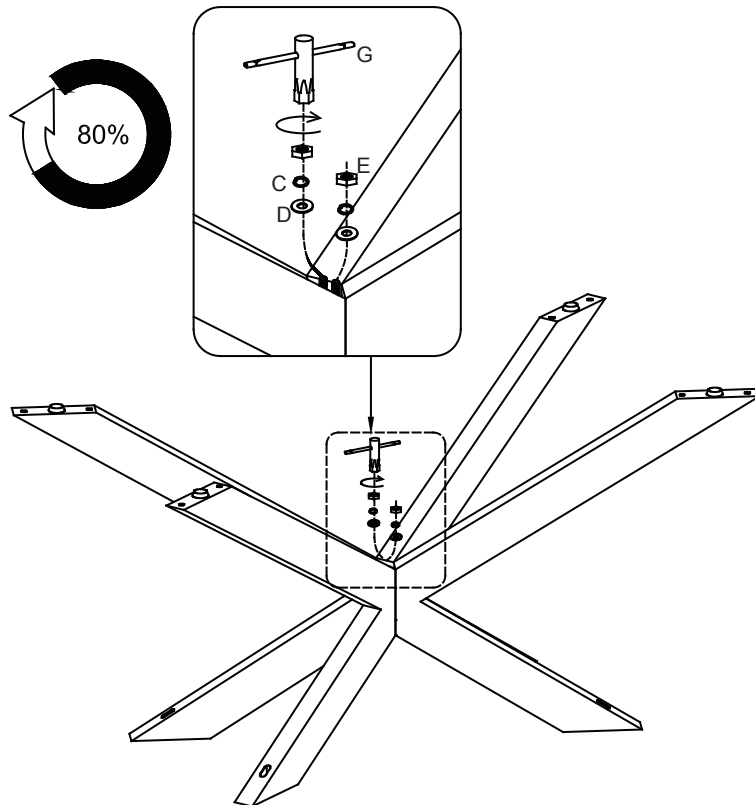


5

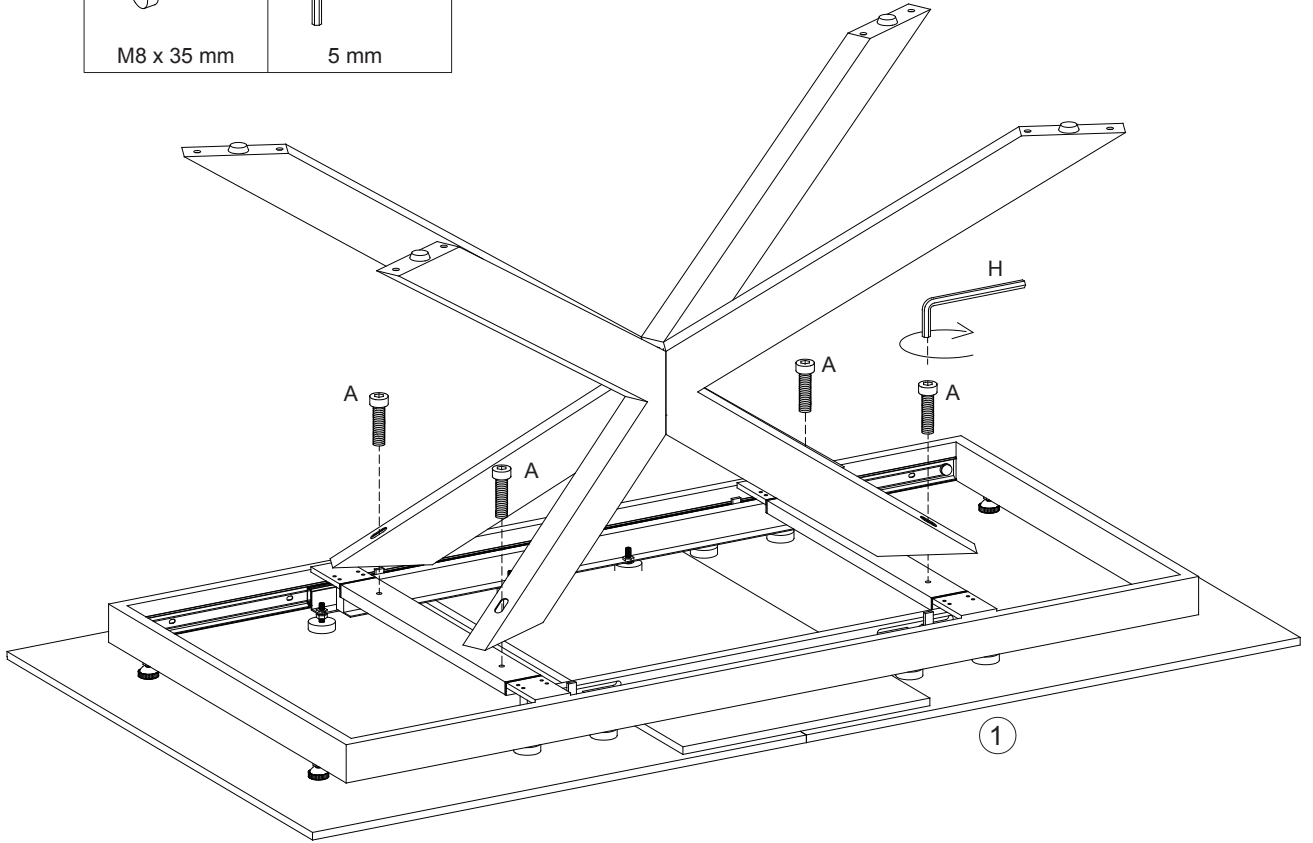
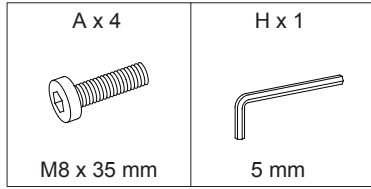


6

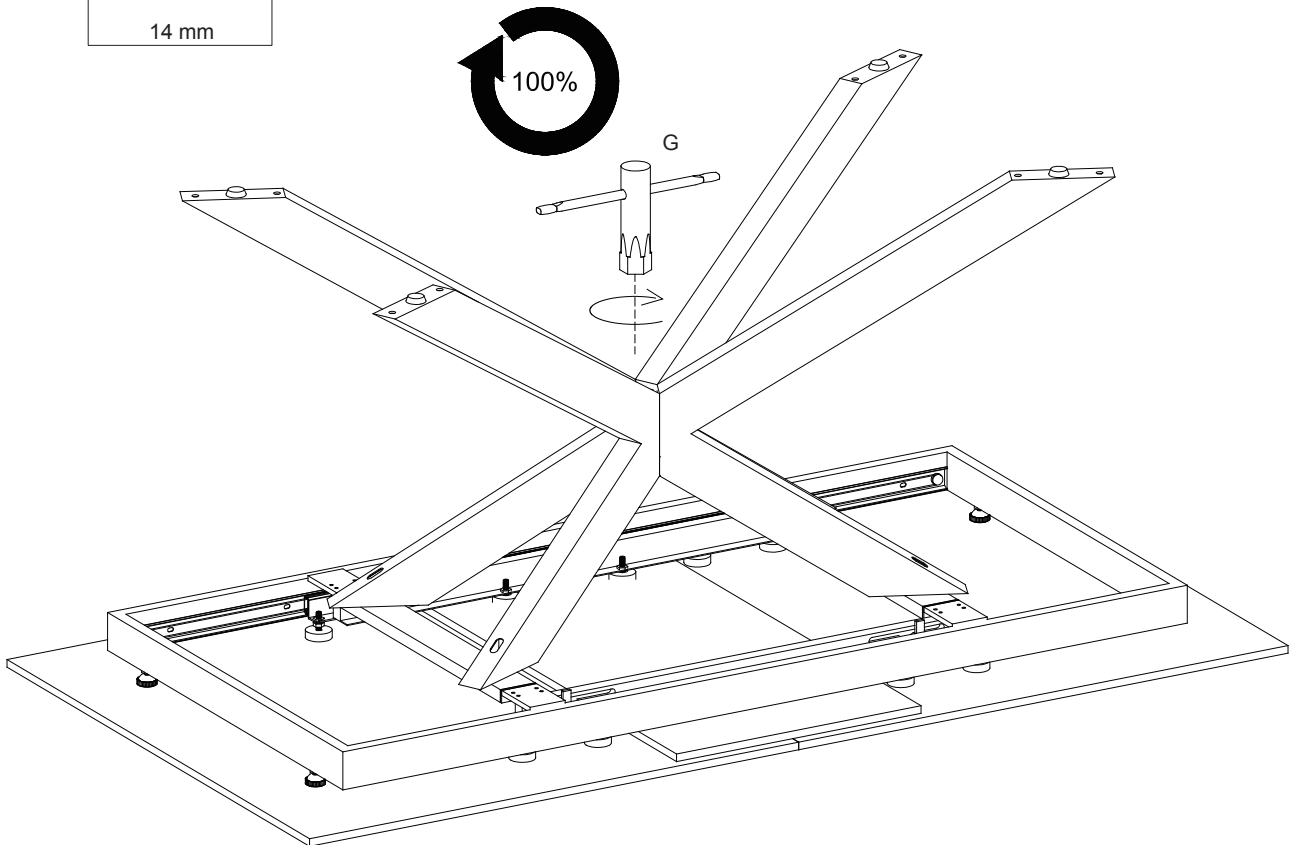
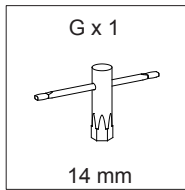
| | | | |
|---|---|---|---|
| C x 2 | D x 2 | E x 2 | G x 1 |
|  |  |  |  |
| Ø8.5/Ø11 mm | Ø8.5/Ø13 mm | M8/14 mm | 14 mm |



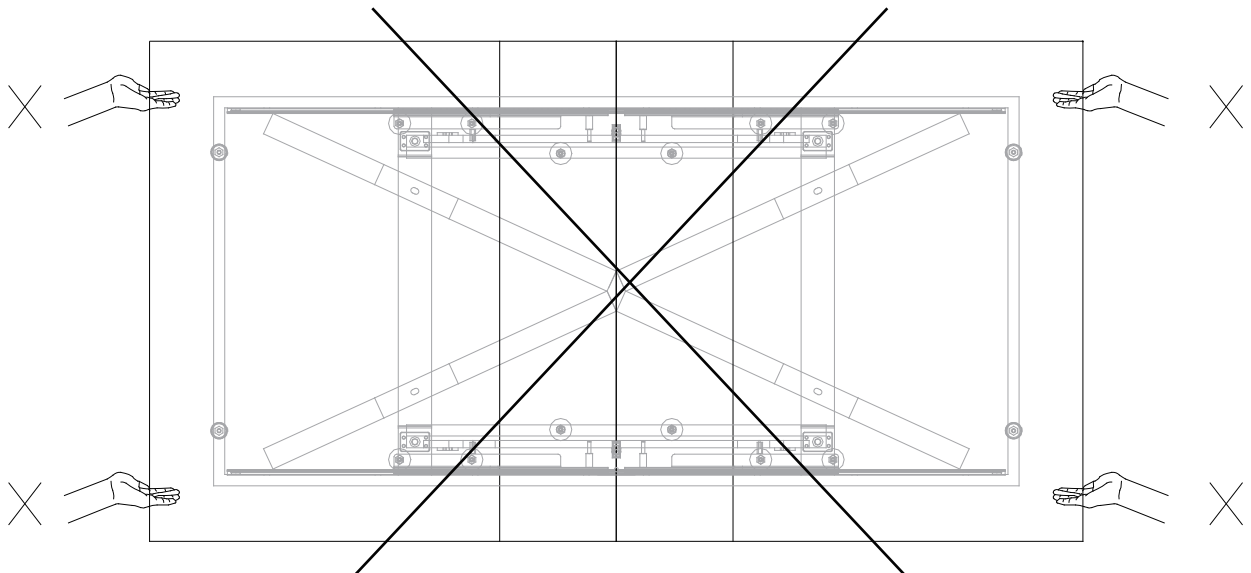
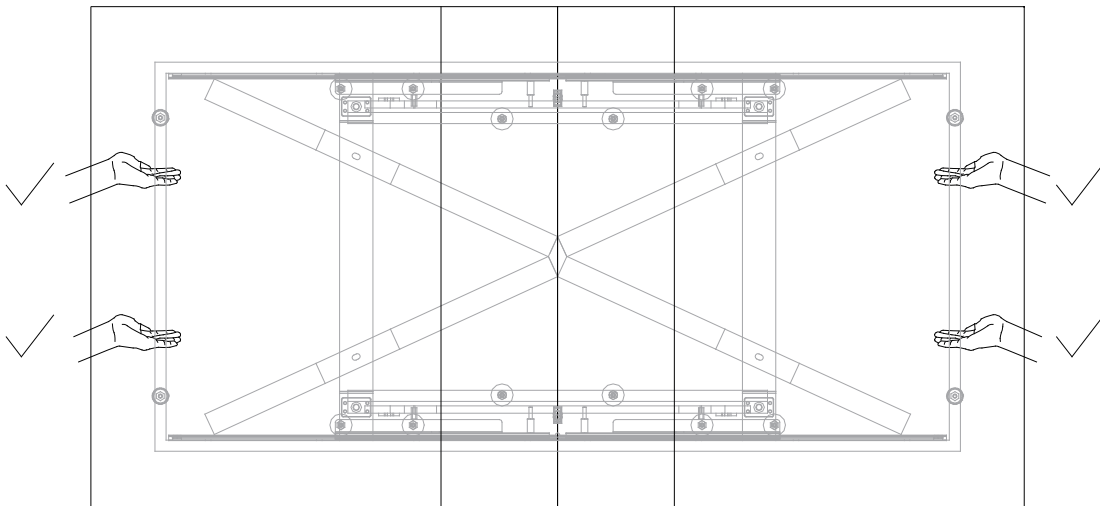
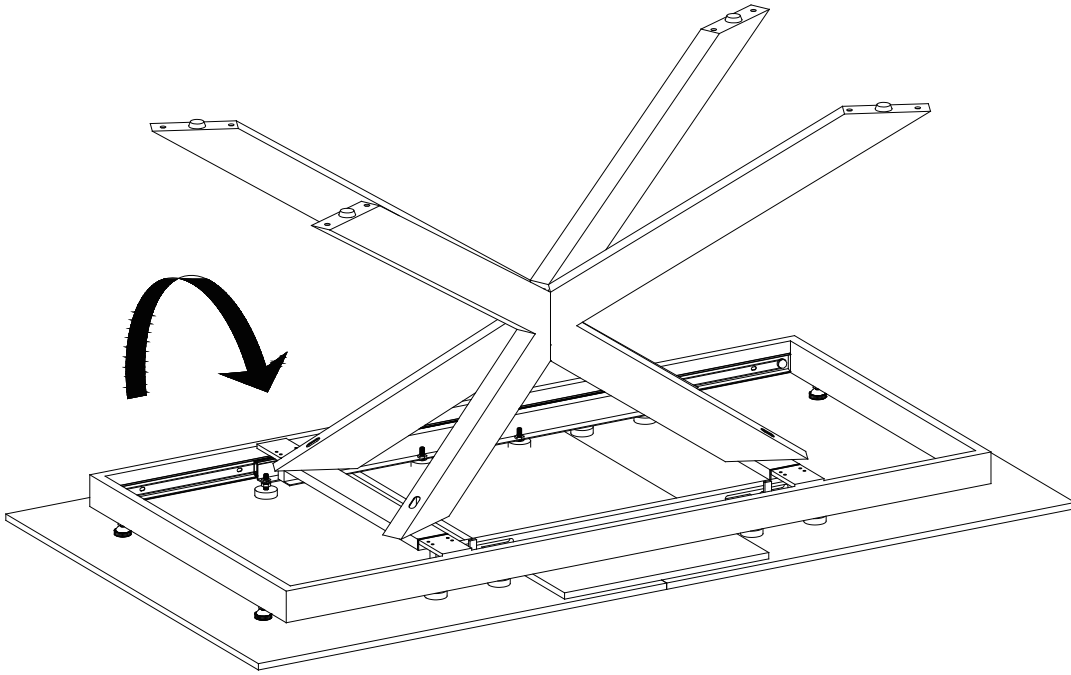
7



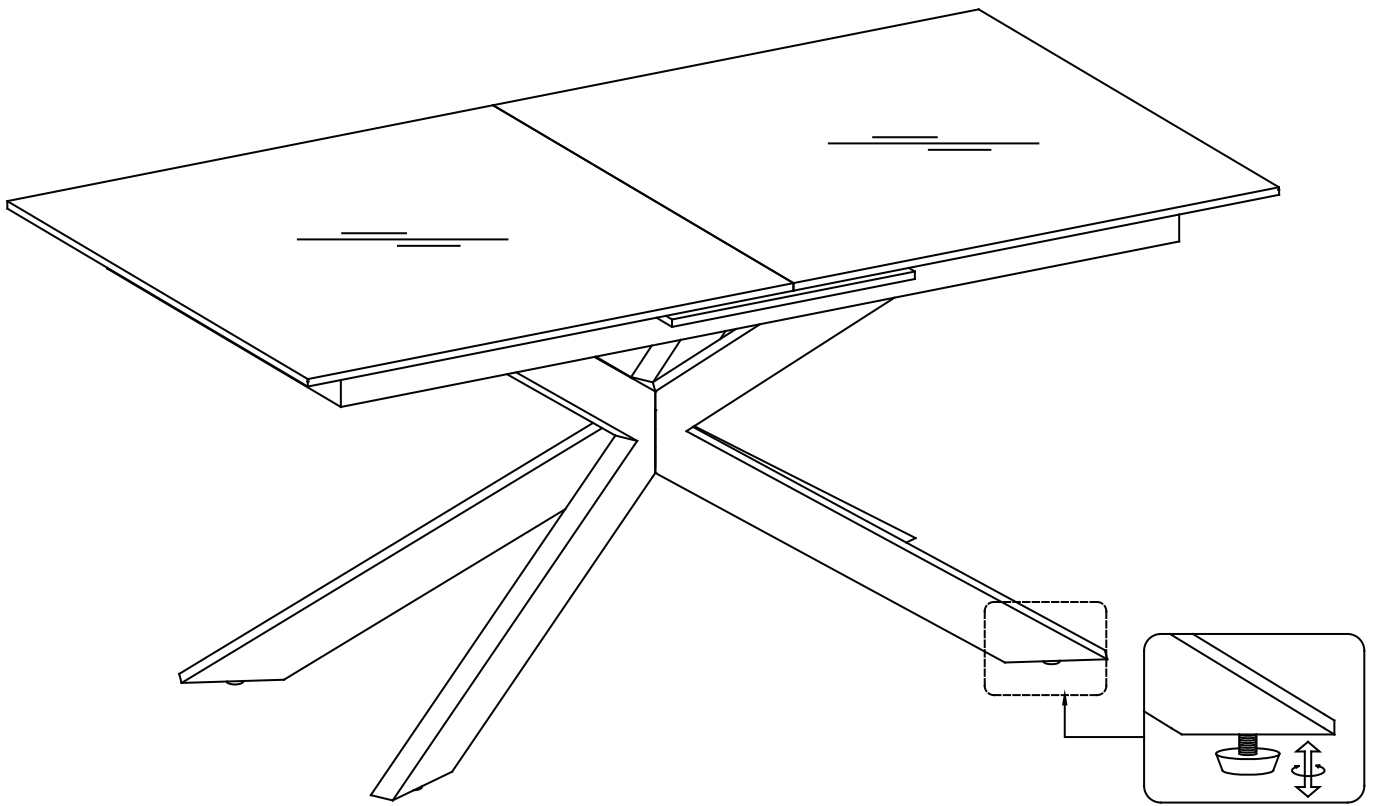
8





9

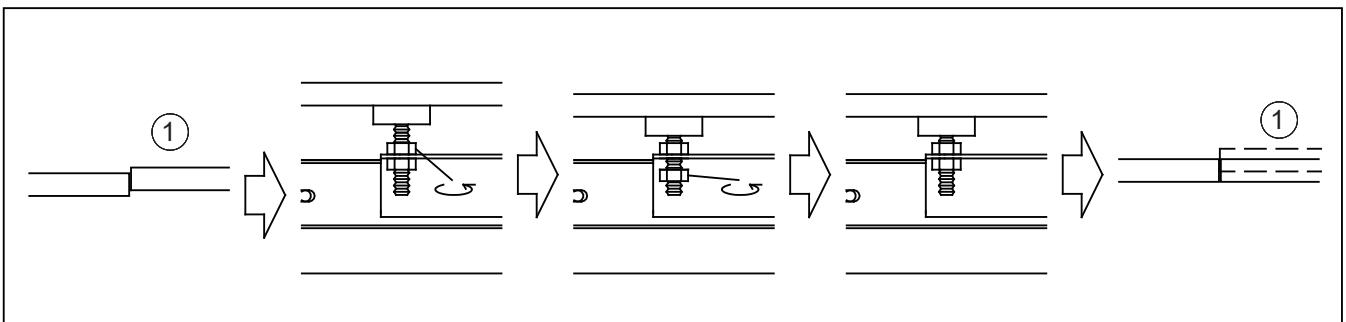
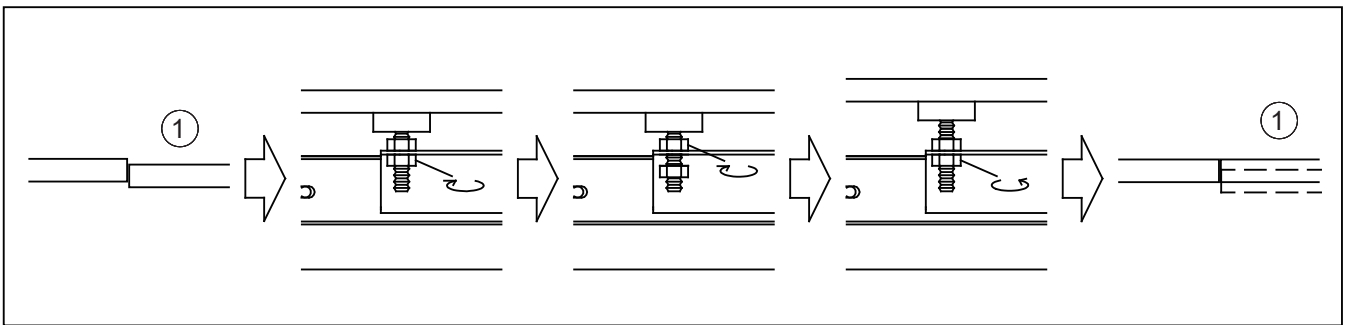
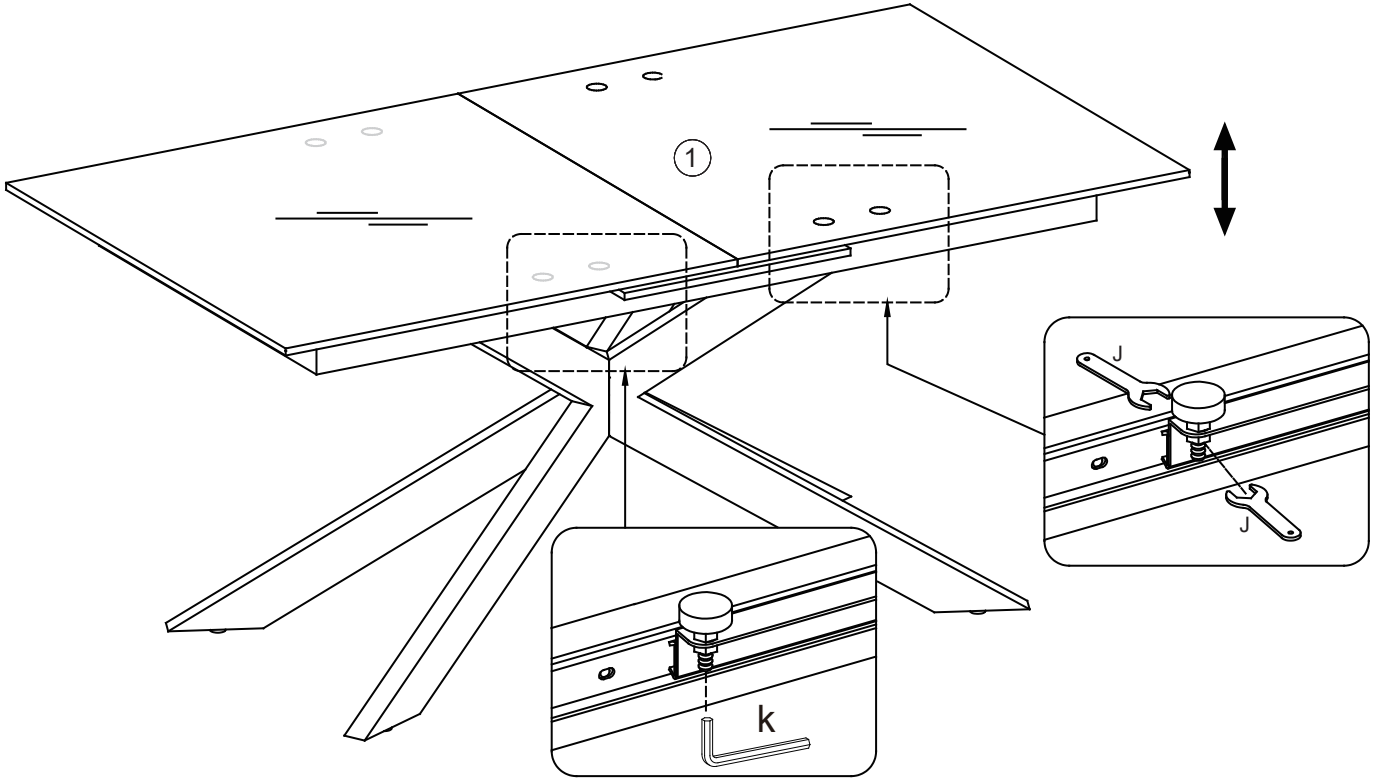


10

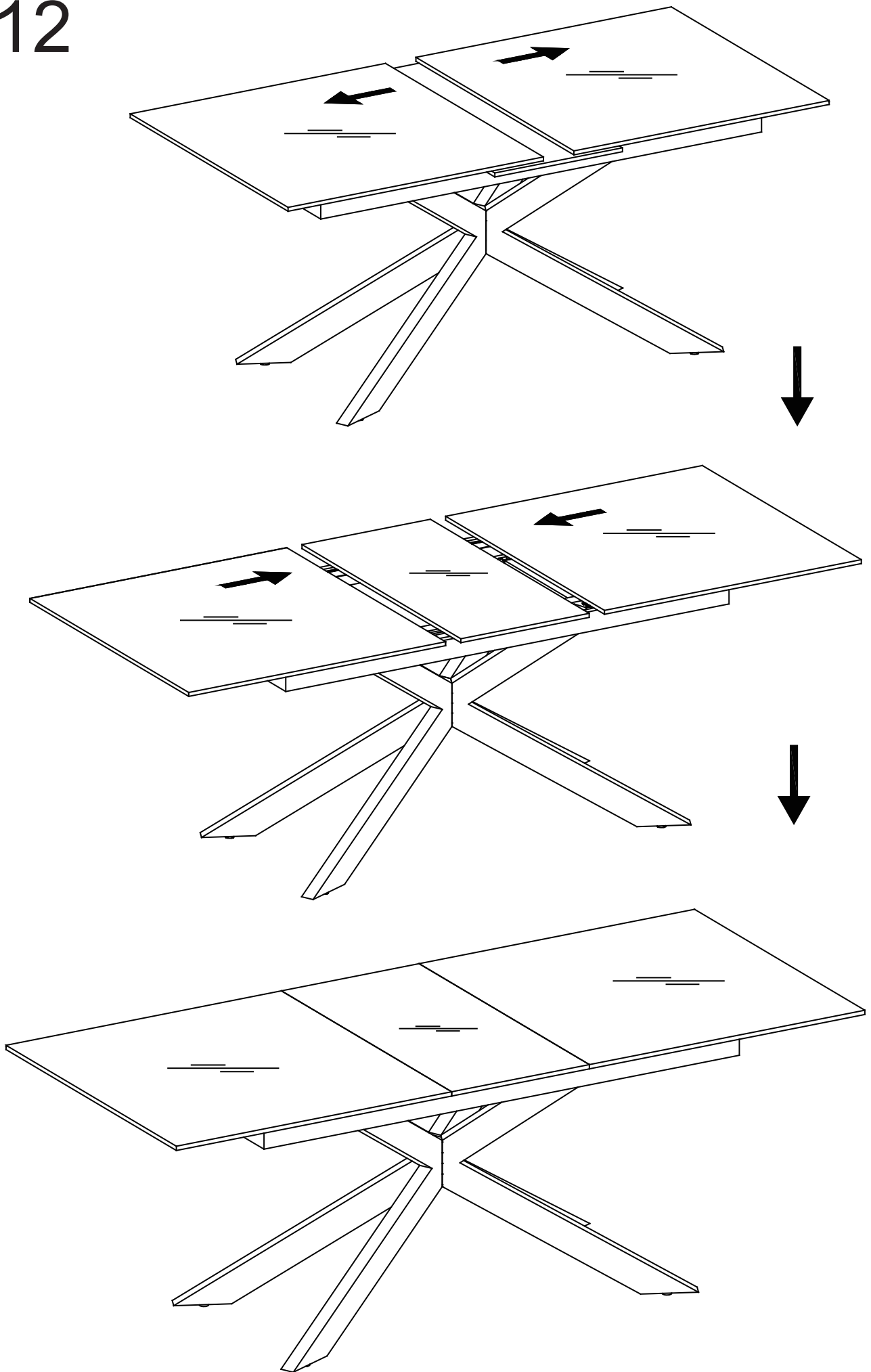


11

| | |
|---|---|
| J x 2 | K x 1 |
|  |  |
| 14 mm | 4 mm |



12



13

