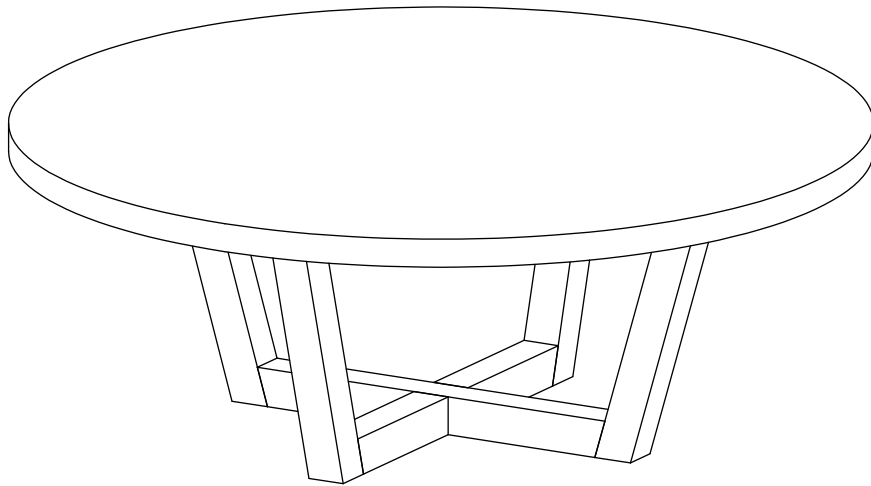


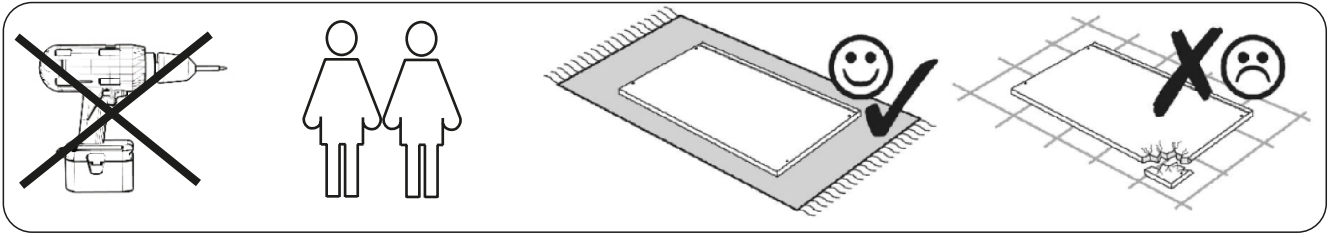
ASSEMBLY INSTRUCTION

BOXFORD COFFEE TABLE

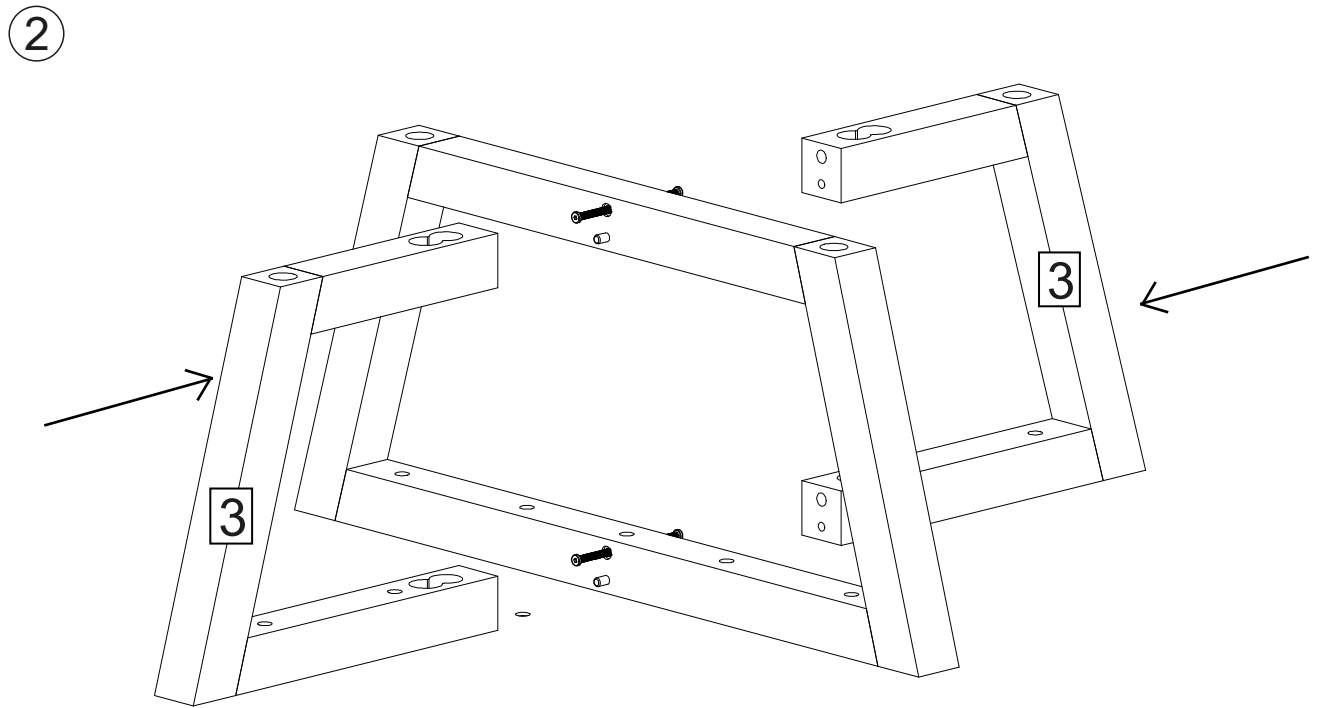
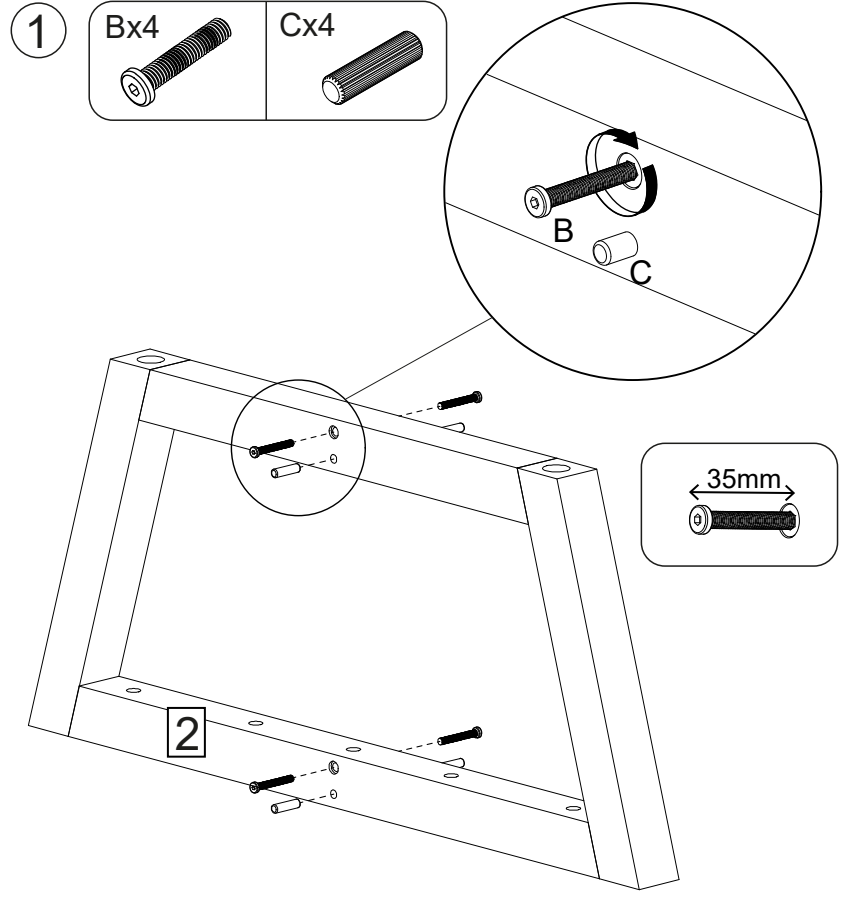


ROWICO

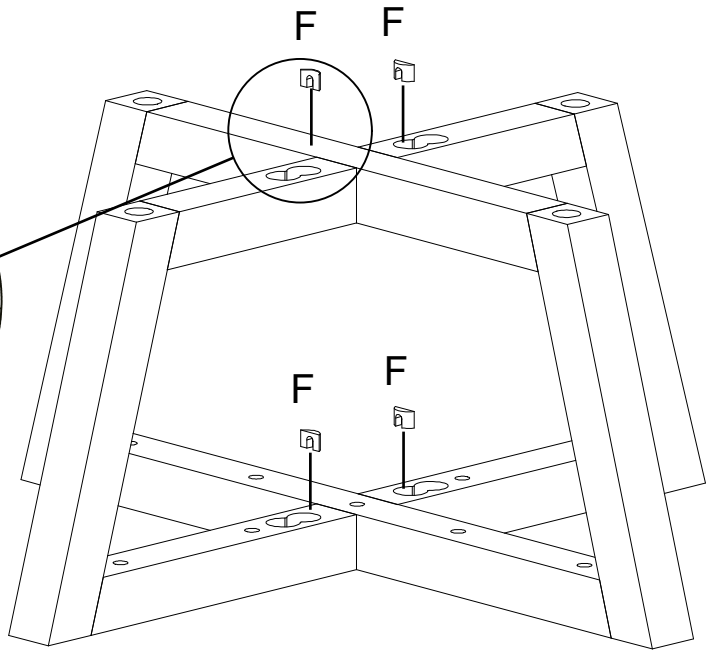
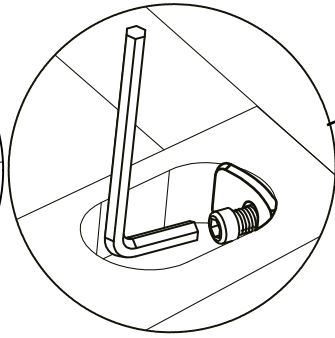
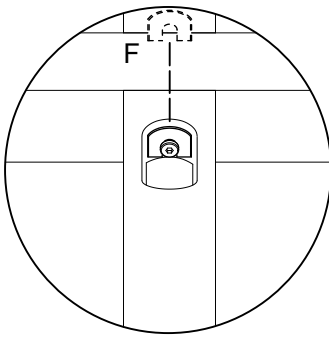
H O M E



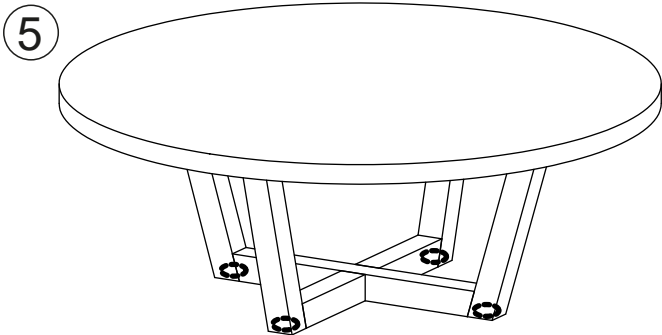
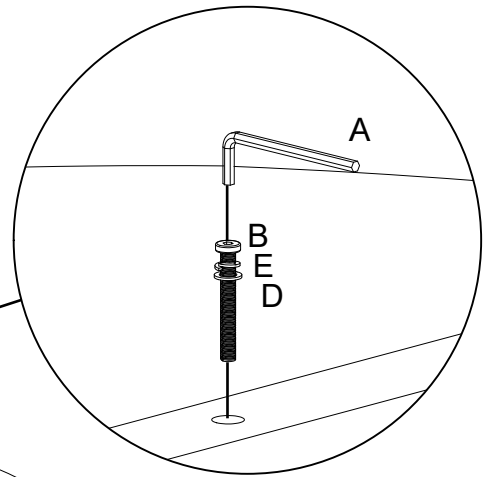
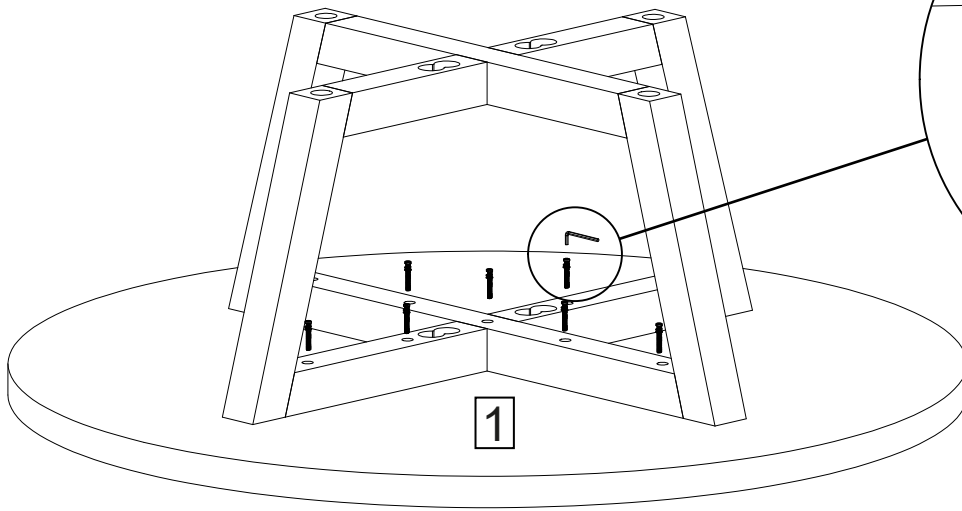
1 x1	B x13 M6x45
2 x1	C x4 Ø8x30mm
3 x2	D x9 Ø6/Ø12mm
	E x9 Ø6/Ø10mm
A x1	F x4 28/10/2mm



3 Fx4



4 Bx9 Ex9 Dx9



Varning!
Belasta inte kanter med mer än max 20 KG.
Attention!
Do not load edge with more than maximum 20 KG.

