

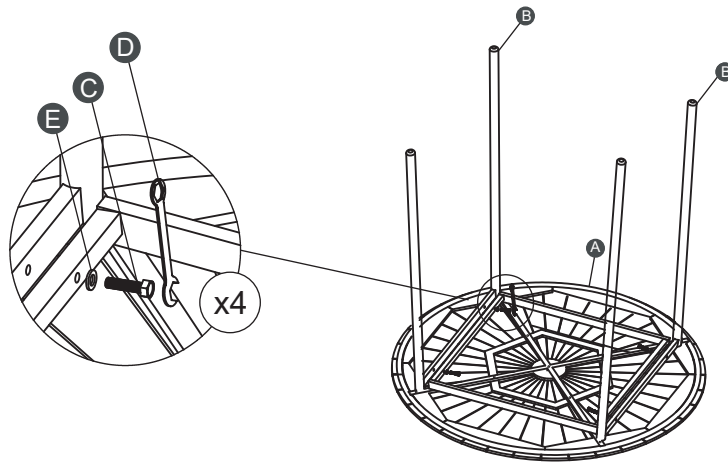
ASSEMBLY INSTRUCTION



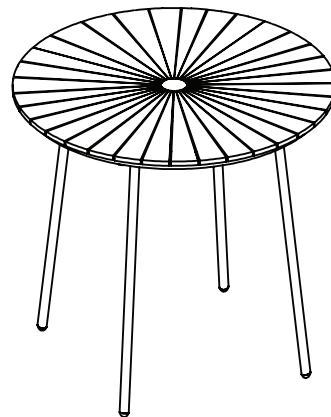
**HOUSE
NORDIC**

7801160

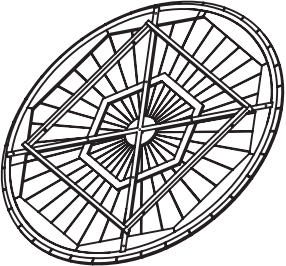
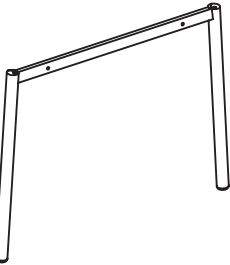

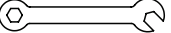

1



2



PARTS INVENTORY

| ID | DESCRIPTION | QTY |
|----|---|-----|
| A |  | 1 |
| B |  | 2 |
| C | M8 × 50MM  | 4 |
| D | K13  | 1 |
| E | M8  | 4 |