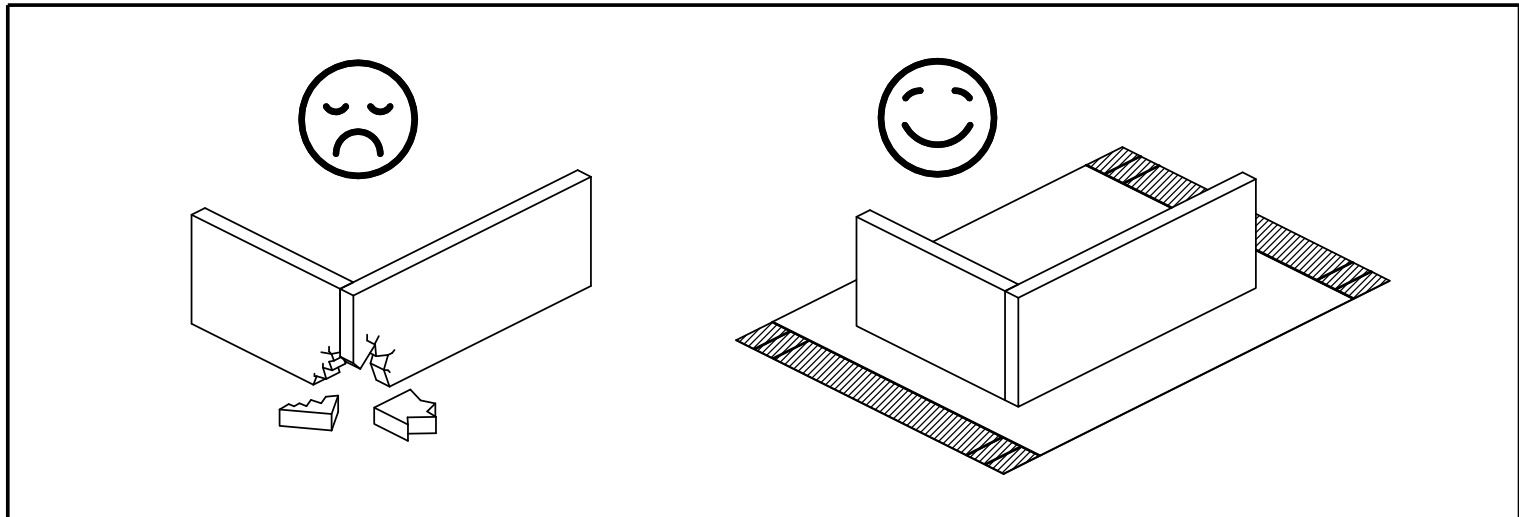
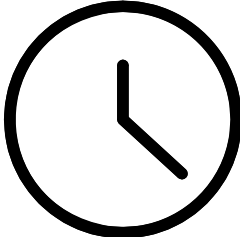
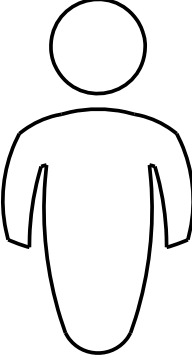
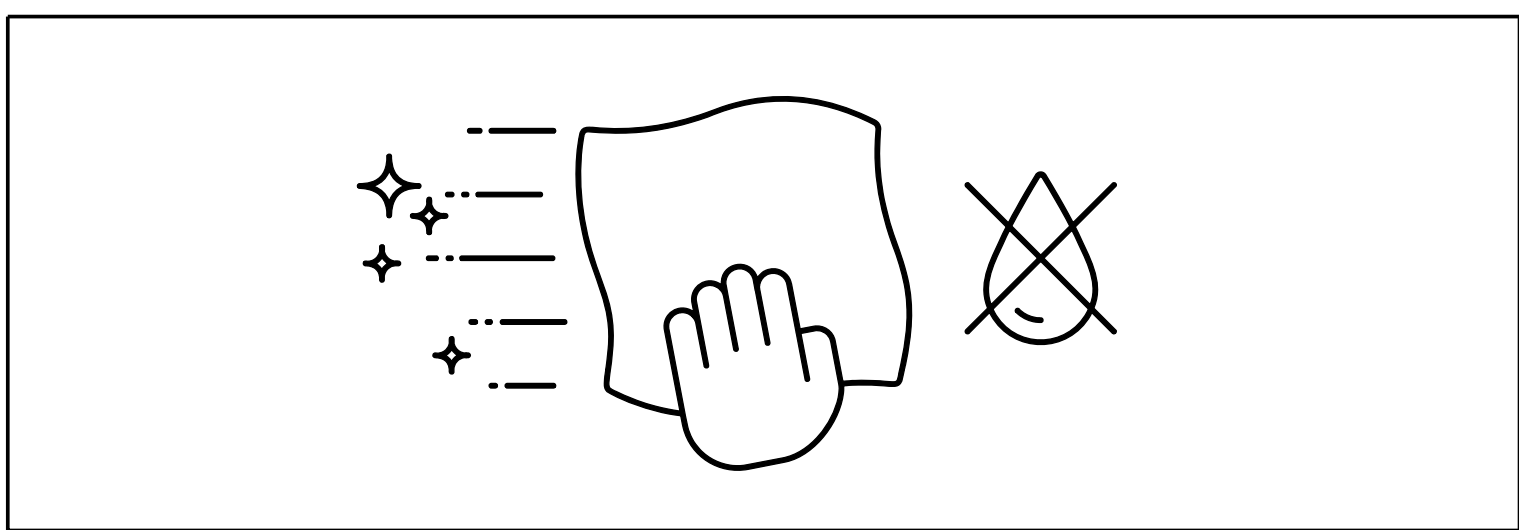


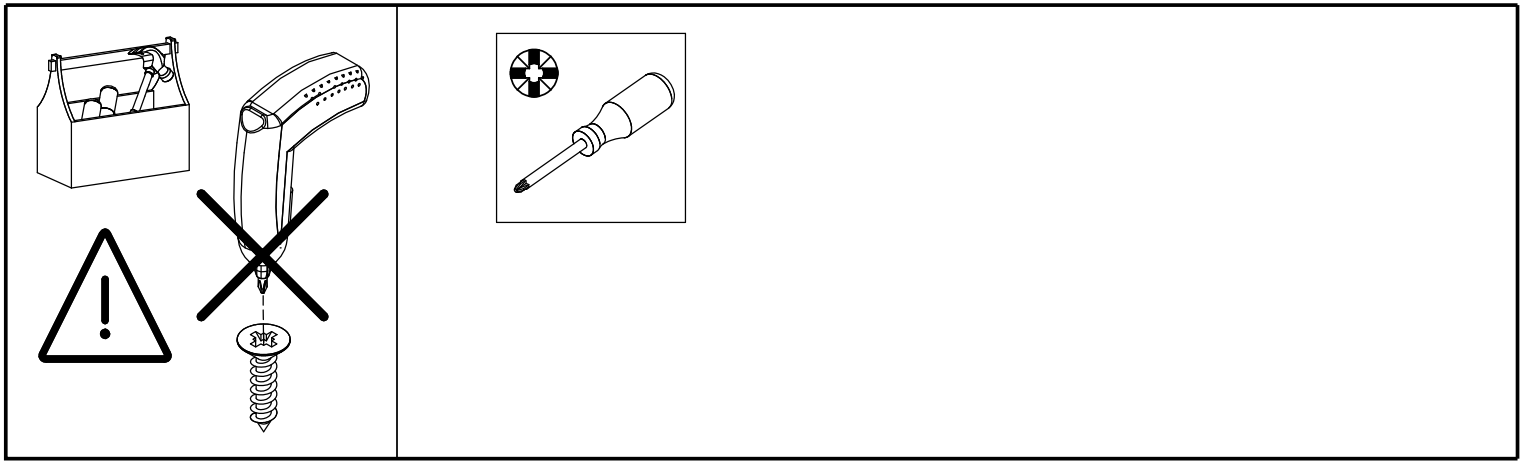
**tvilum**

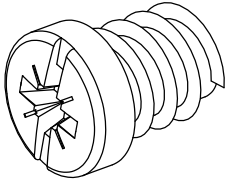
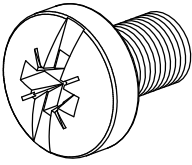
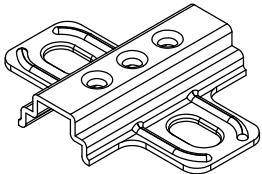
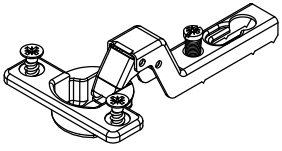
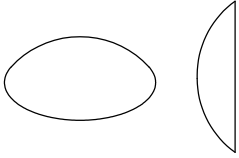


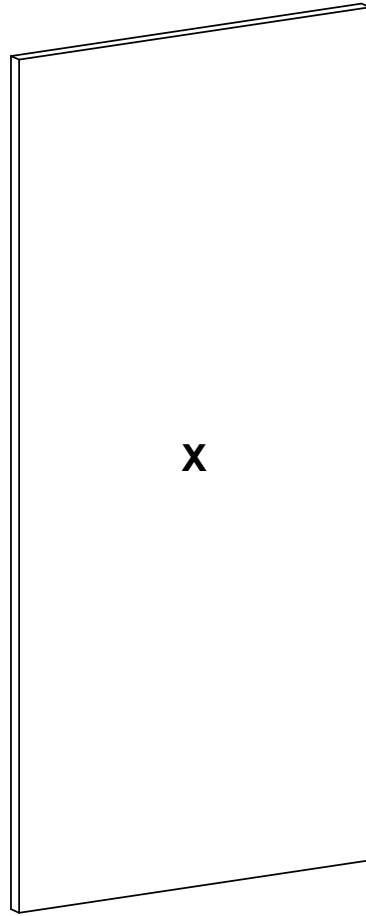
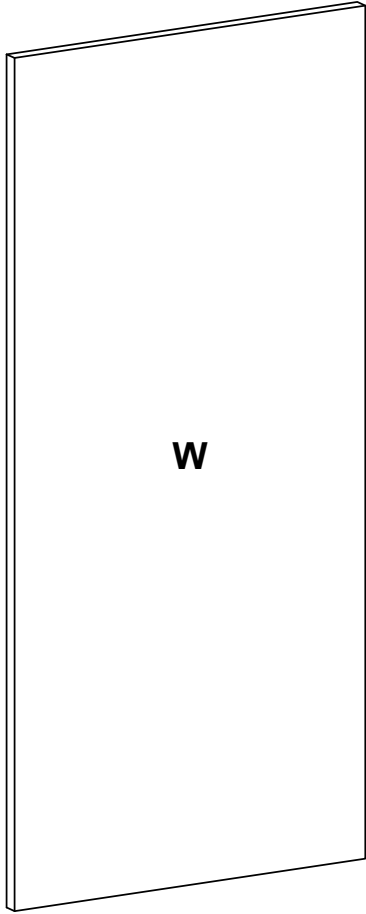
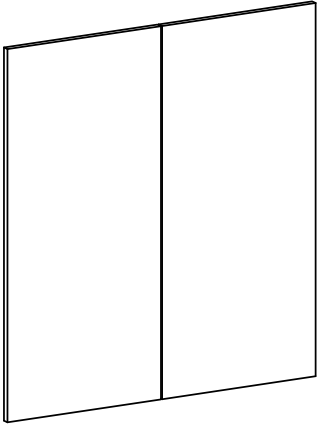
 0,5-1 hr

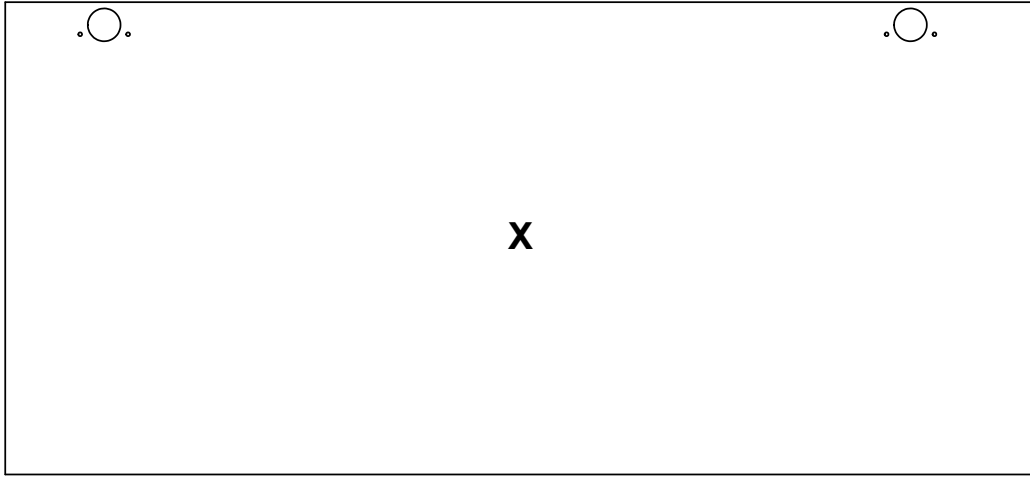
 x 1



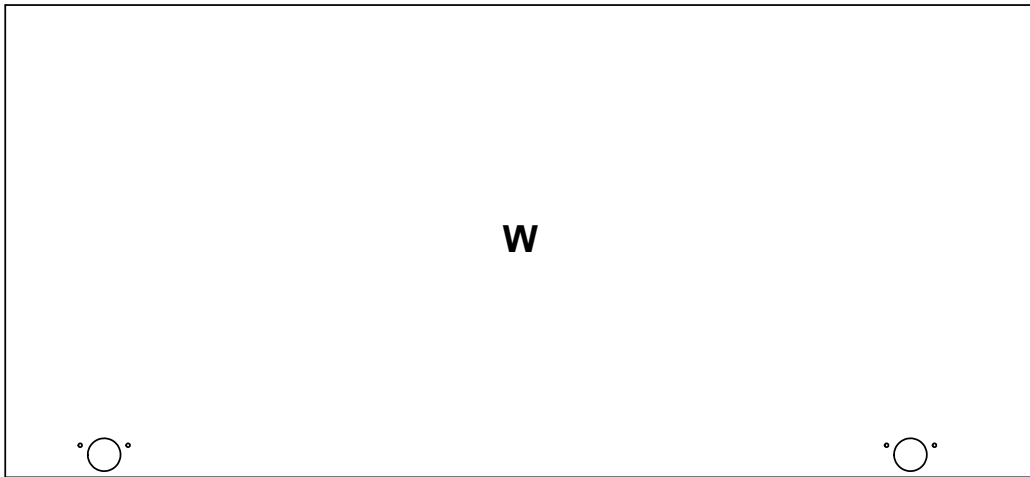


<p>0126071 <b>x8</b></p>  <p>Ø0.27x0.31" Ø6,9x8 mm</p>	<p>0126211 <b>x4</b></p>  <p>M4x0.28" M4x7 mm</p>	<p>0150491 <b>x4</b></p>  <p>2.01x1.57x0.35" 51x40x9 mm</p>	<p>0152292 <b>x4</b></p>  <p>Ø1.02-3.61x1.97x1" Ø26-91,7x50x25,2 mm</p>	<p>0196205 <b>x4</b></p>  <p>Ø0.39x0.10" Ø10x2,5 mm</p>
--	--	--	---	--





818x375x15mm

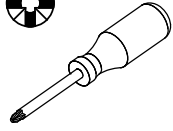
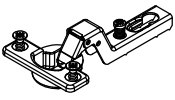


818x375x15mm

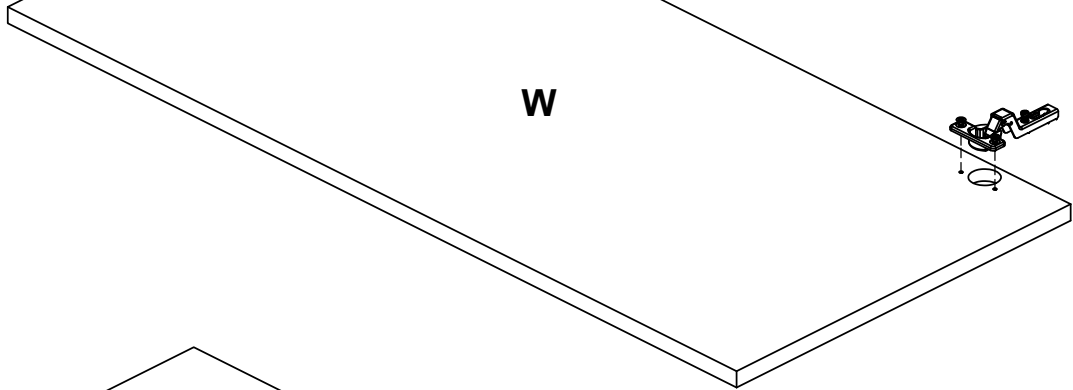
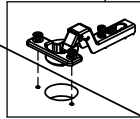
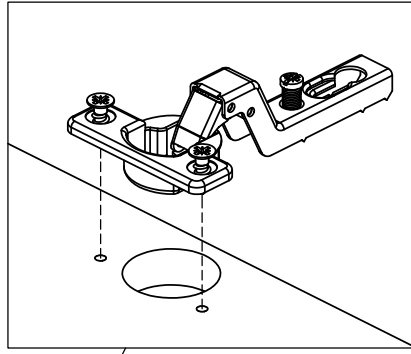
# 1

0152292

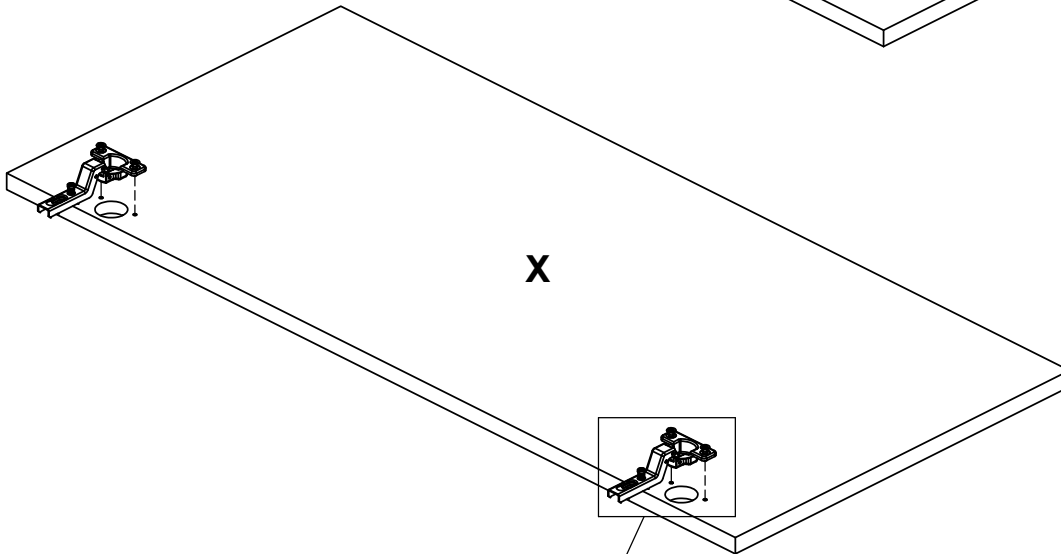
x4



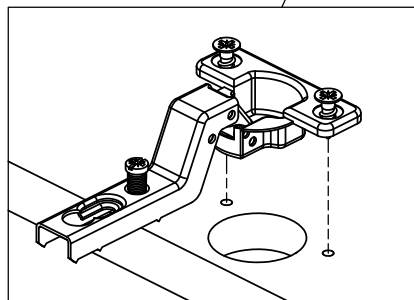
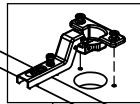
Ø1.02-3.61x1.97x1"  
Ø26-91,7x50x25,2 mm



W



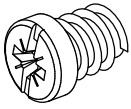
X



**2**

0126071

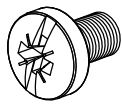
**x8**



Ø0.27x0.31"  
Ø6,9x8 mm

0126211

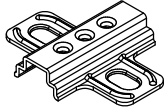
**x4**



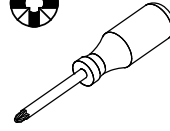
M4x0.28"  
M4x7 mm

0150491

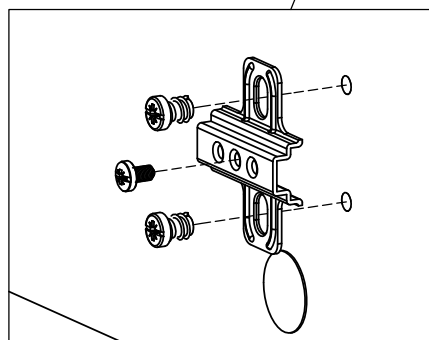
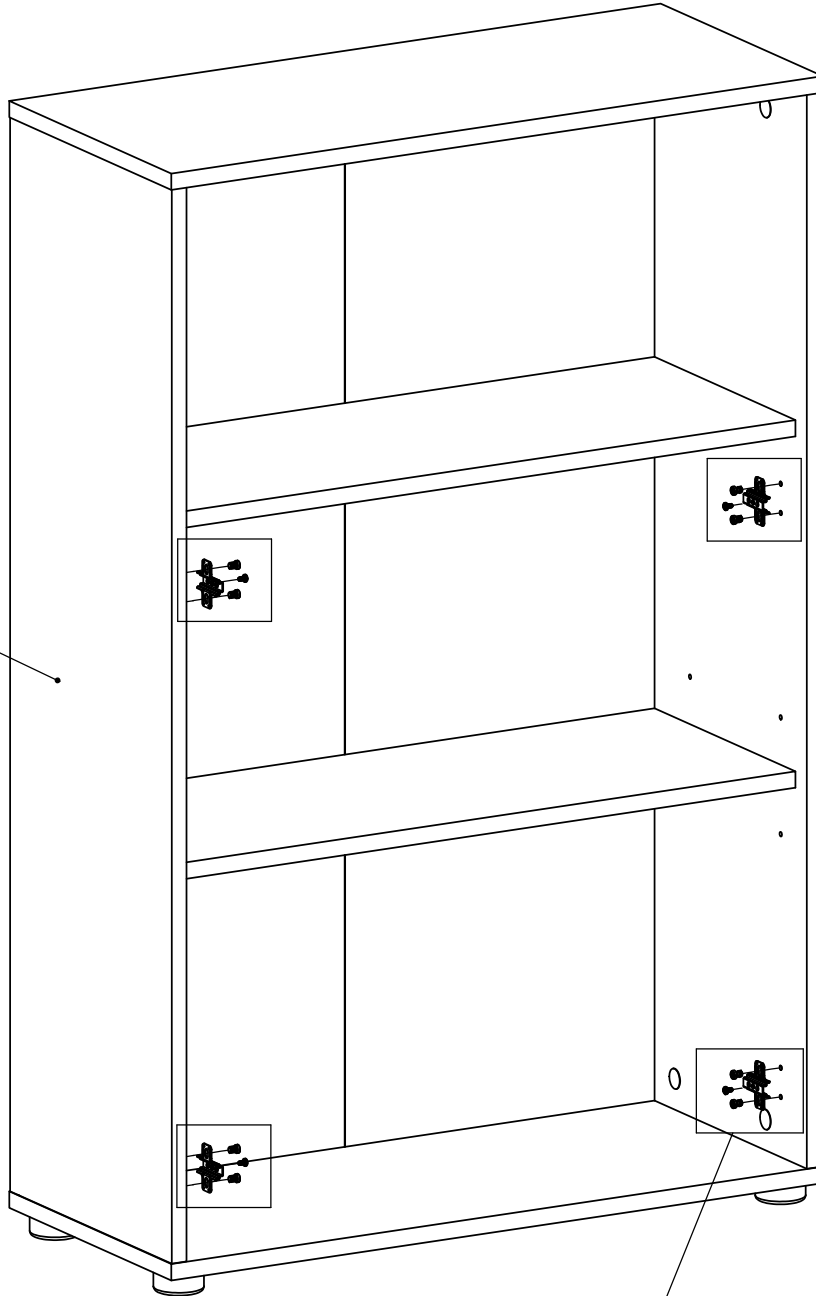
**x4**



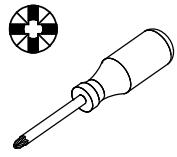
2.01x1.57x0.35"  
51x40x9 mm



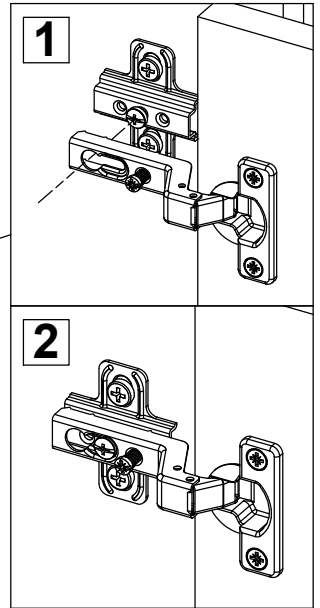
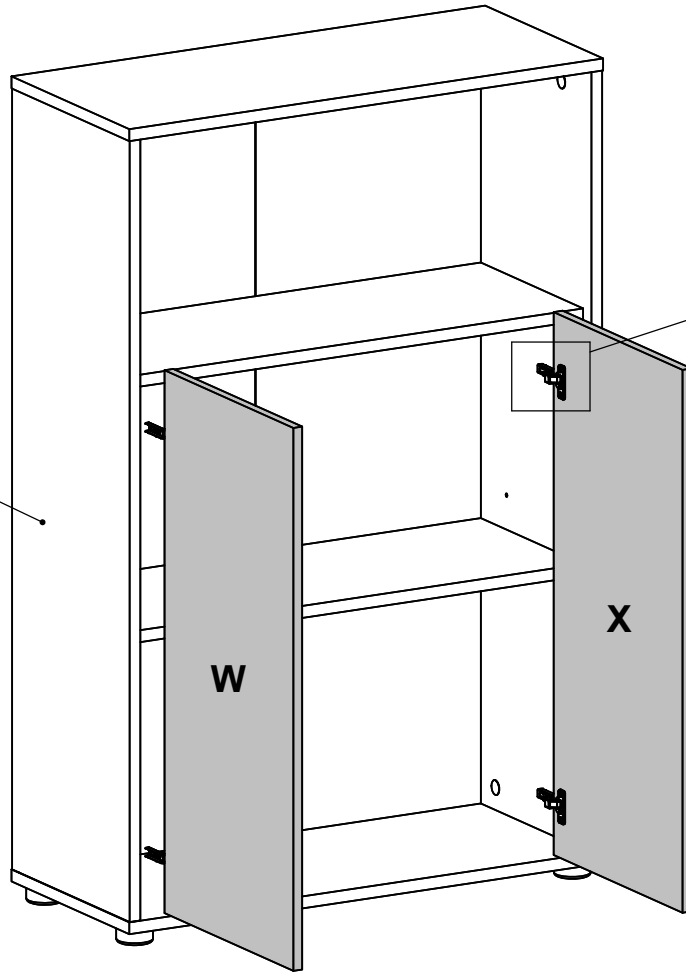
**65585**



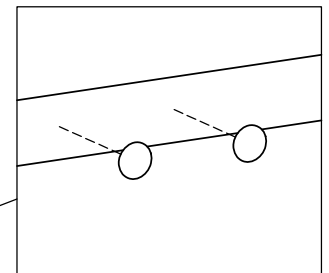
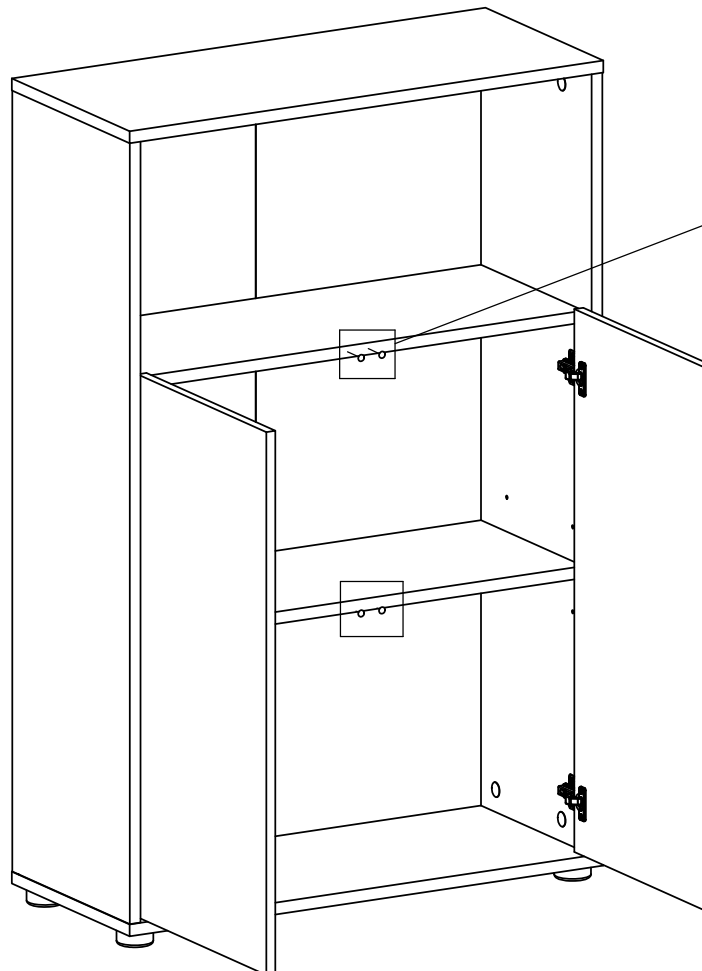
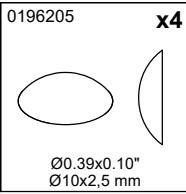
3



65585



4

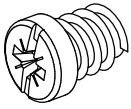




5

0126071

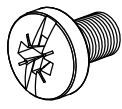
x16



Ø0.27x0.31"  
Ø6,9x8 mm

0126211

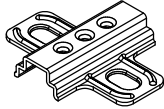
x8



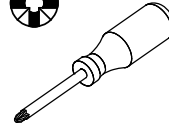
M4x0.28"  
M4x7 mm

0150491

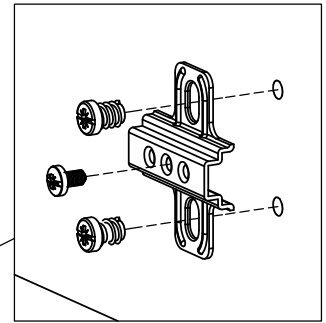
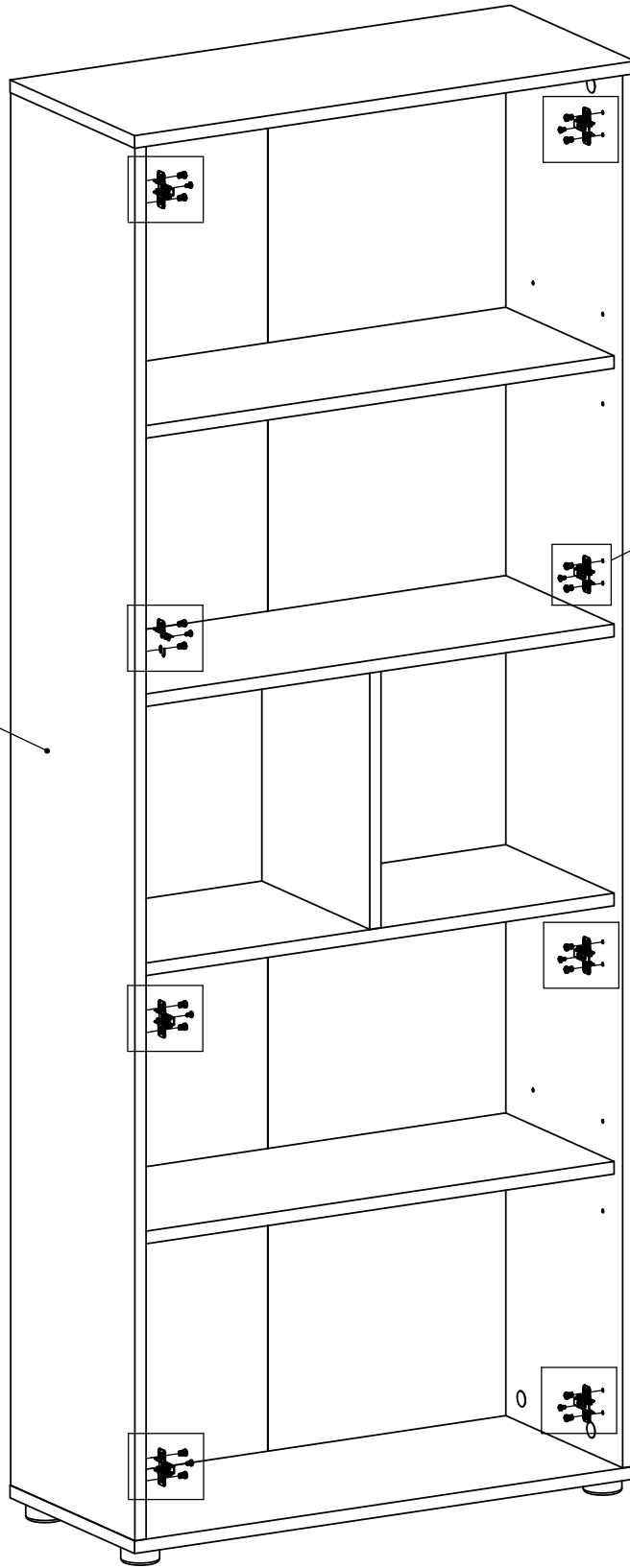
x8



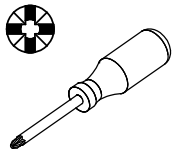
2.01x1.57x0.35"  
51x40x9 mm



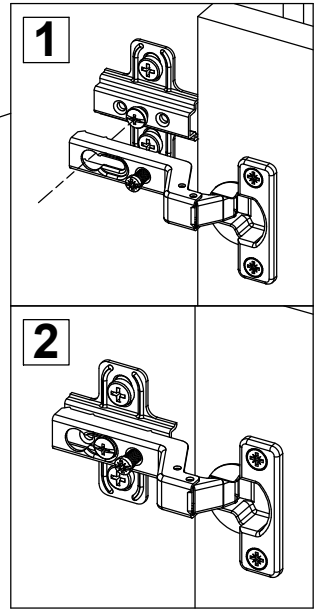
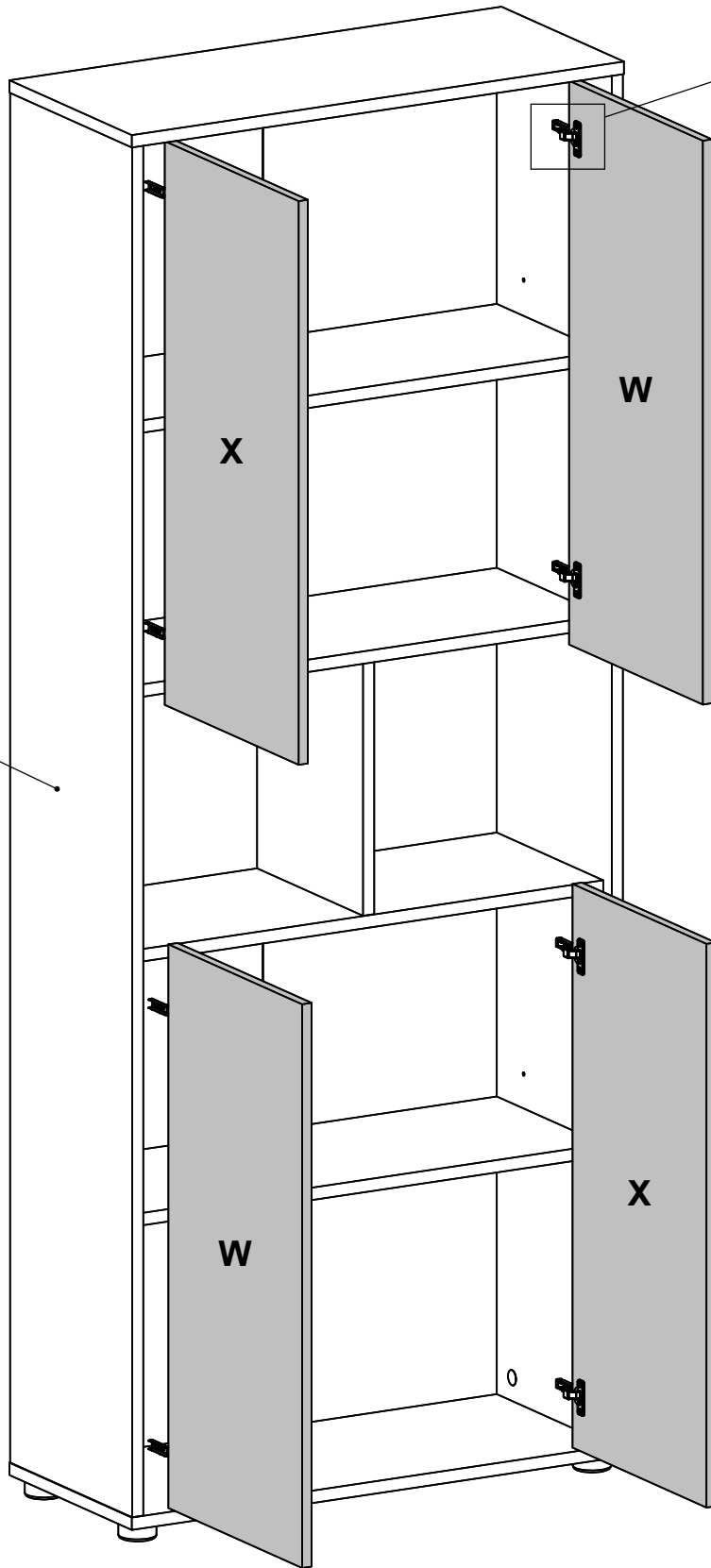
65586



6



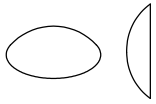
65586



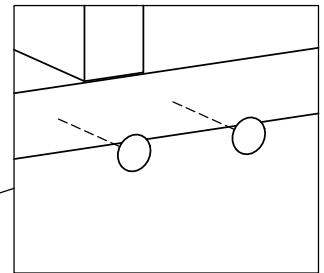
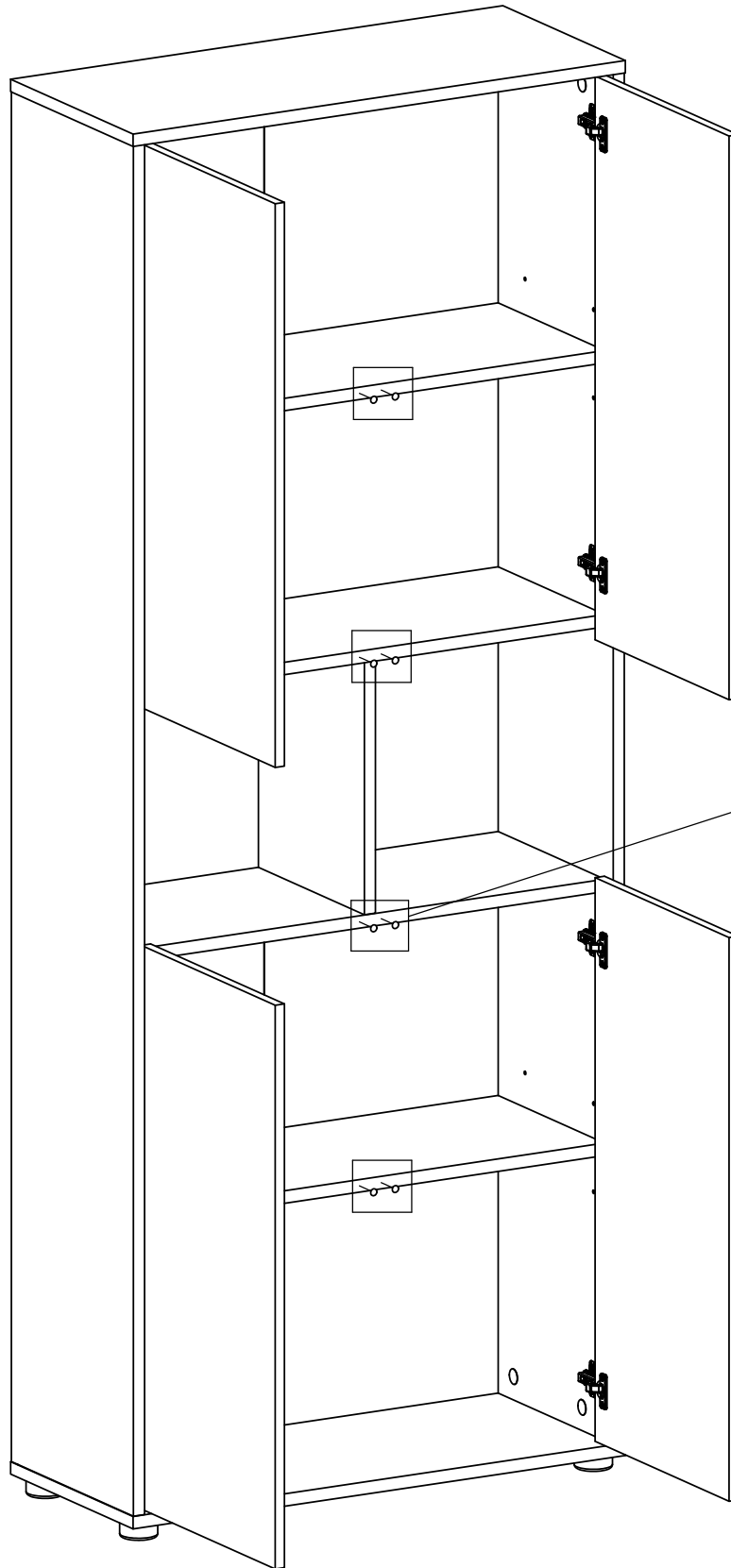
7

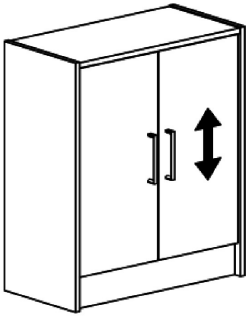
0196205

x8

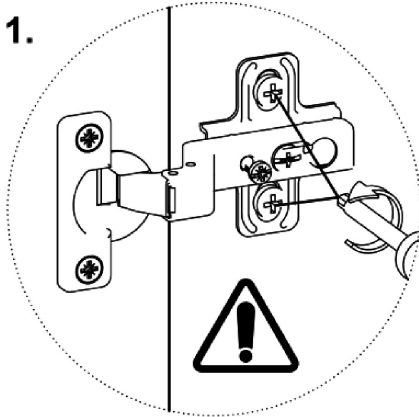


Ø0.39x0.10"  
Ø10x2,5 mm

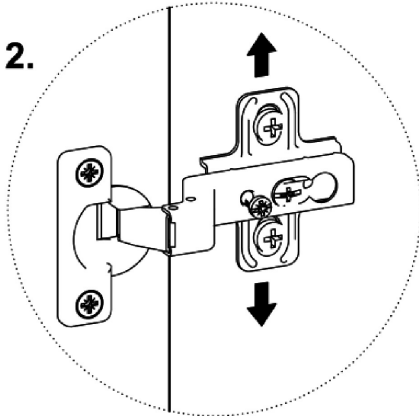




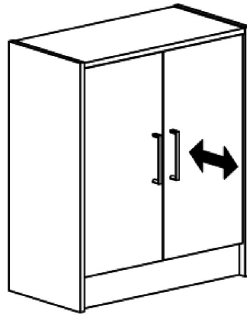
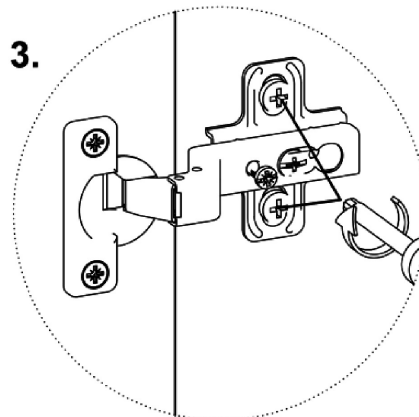
1.



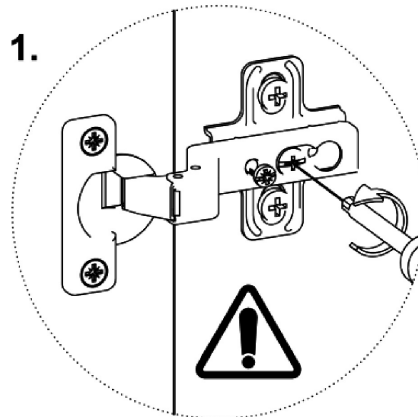
2.



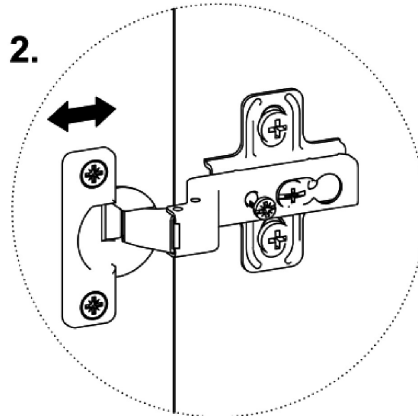
3.



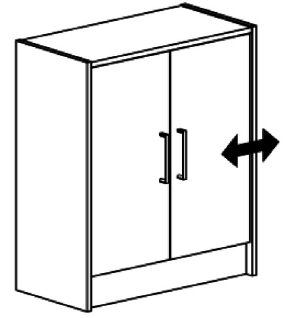
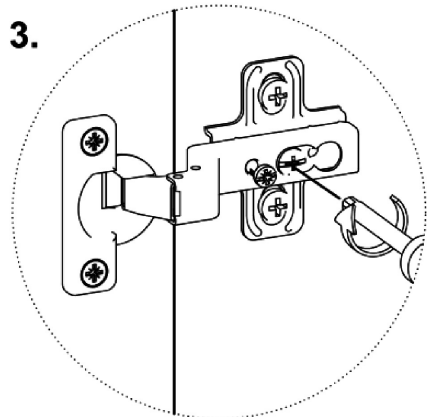
1.



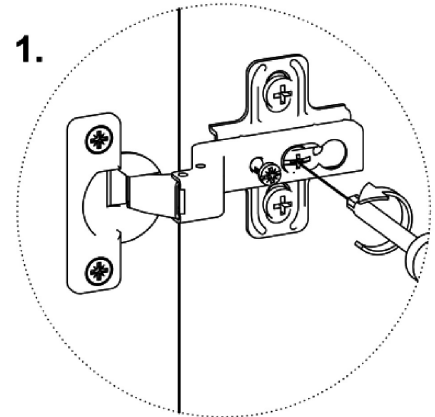
2.



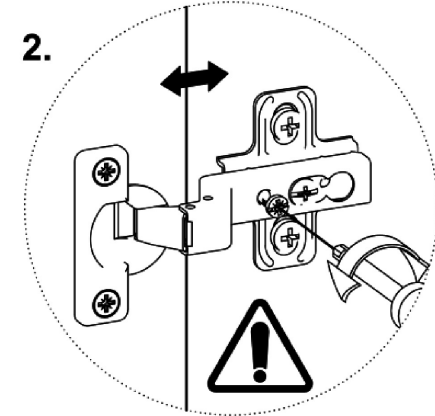
3.



1.



2.



3.

