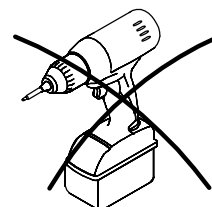
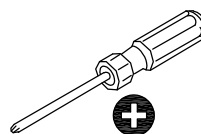
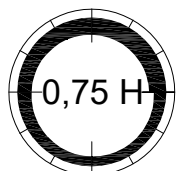
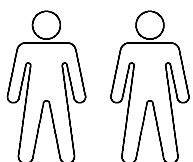
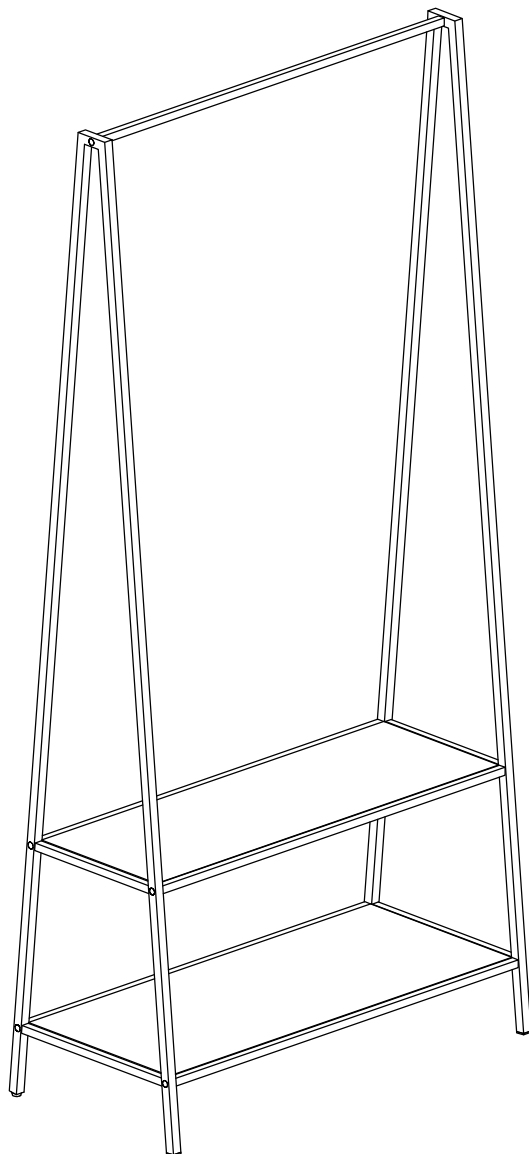
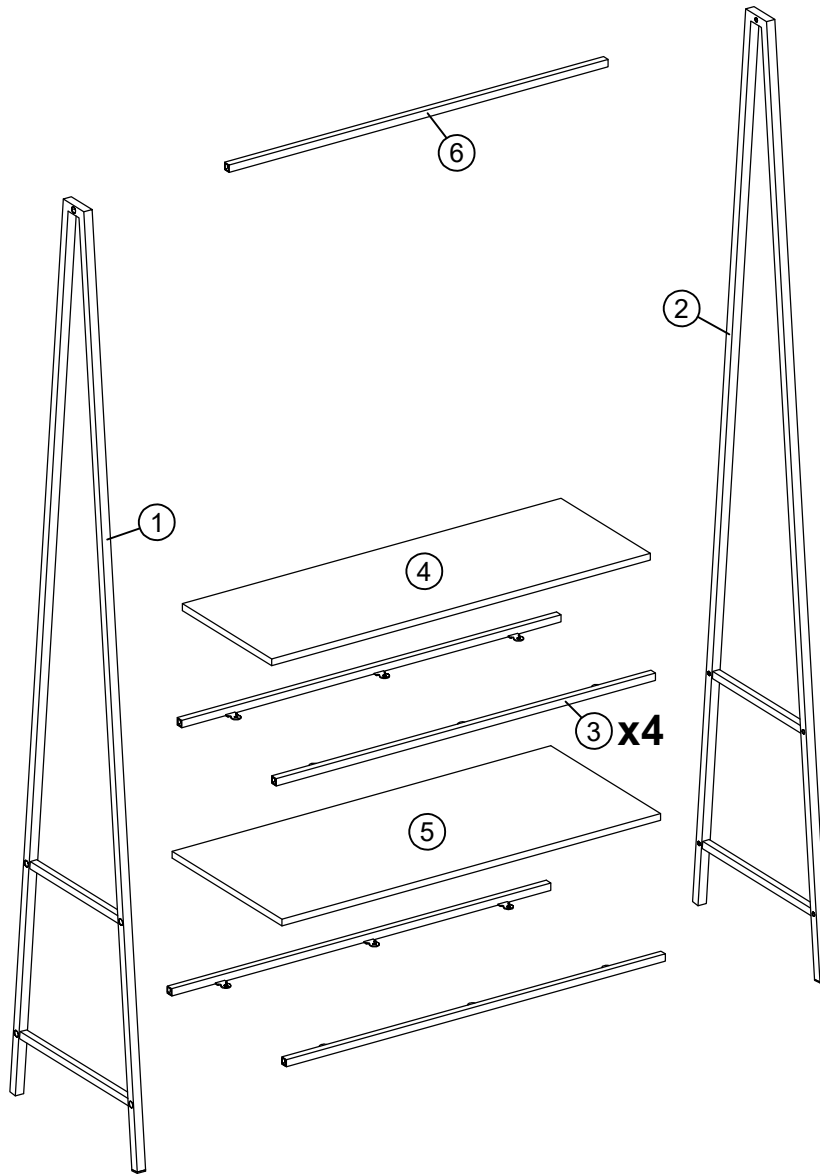
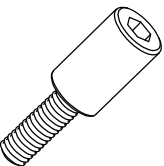

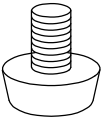



SEAFORD

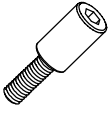
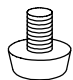



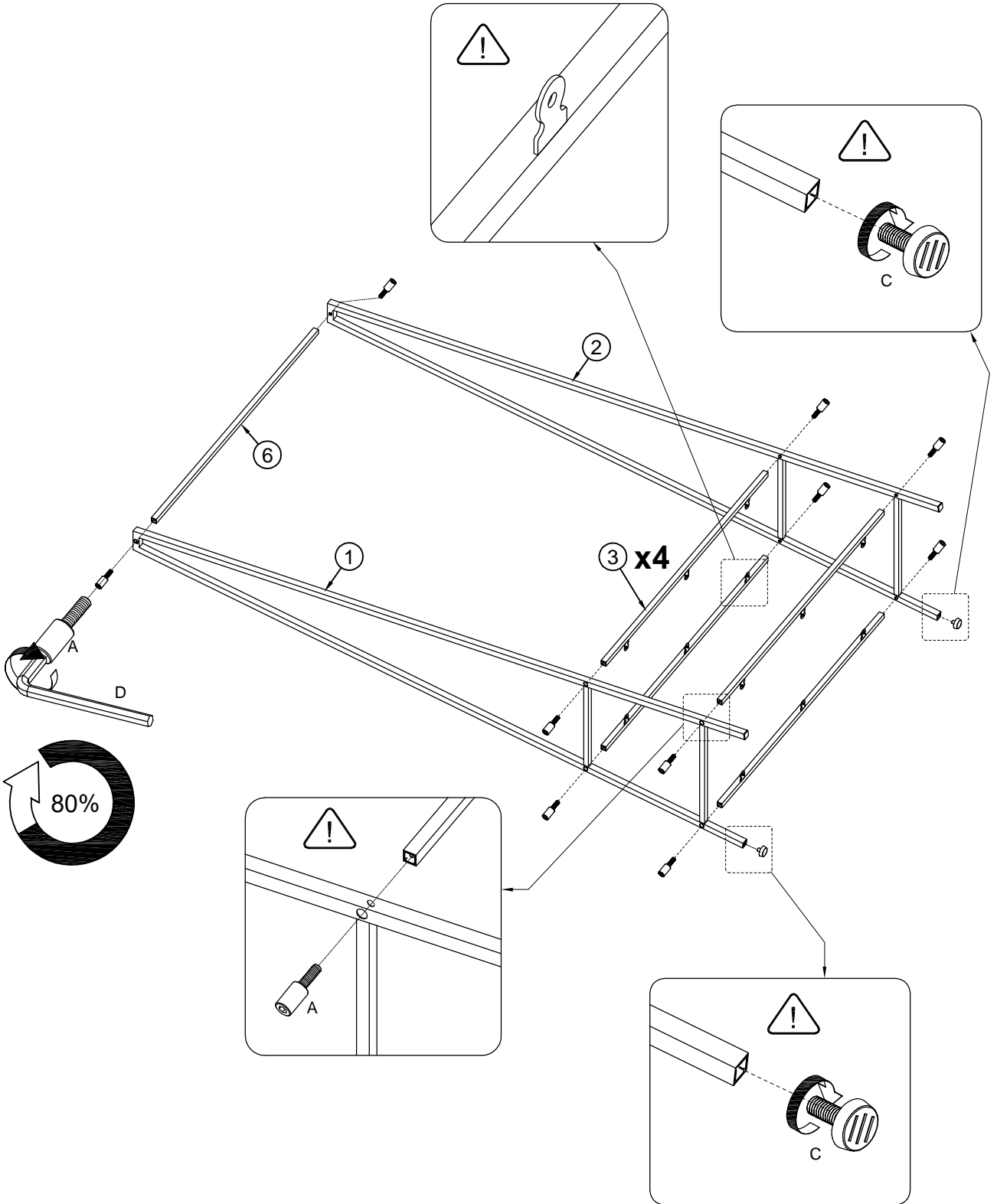
			✓
①	1	1650x370x16	
②	1	1650x370x16	
③	4	738x36x14	
④	1	737x262x12	
⑤	1	737x318x12	
⑥	1	738x16x16	



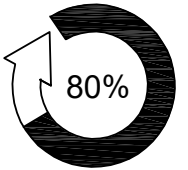
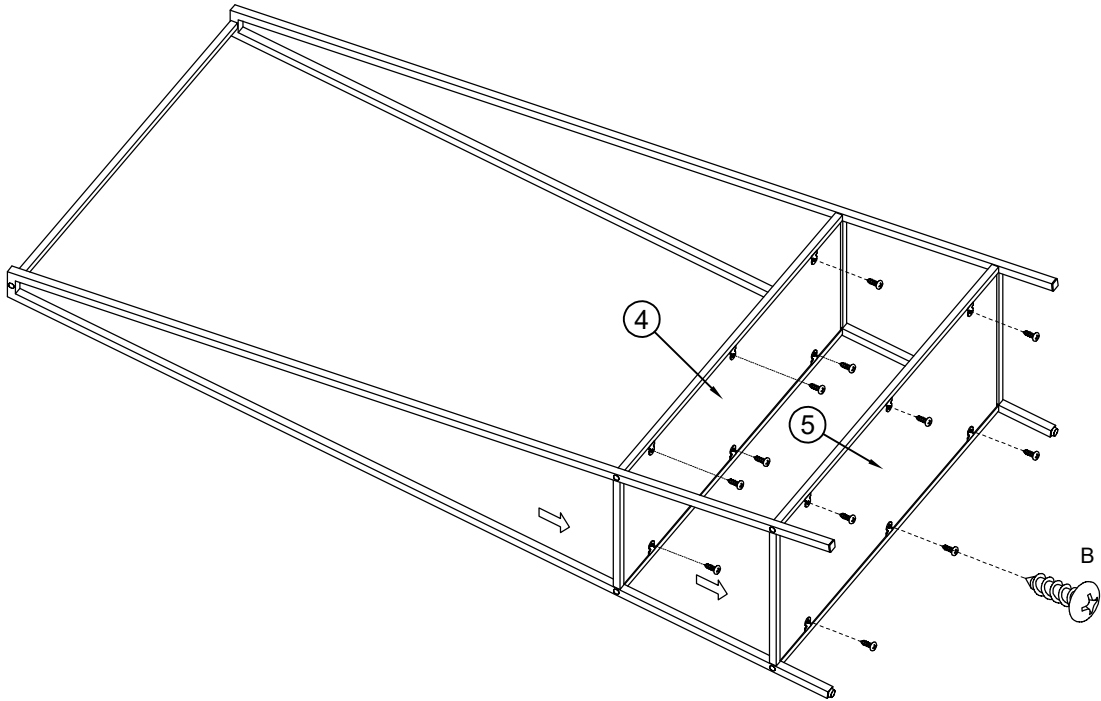
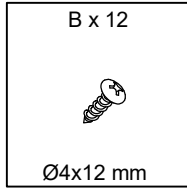
A x 10	B x 12	C x 2	D x 1
			
M6x16 mm	Ø4x12 mm	Ø13x5xM6x15 mm	4 mm

1

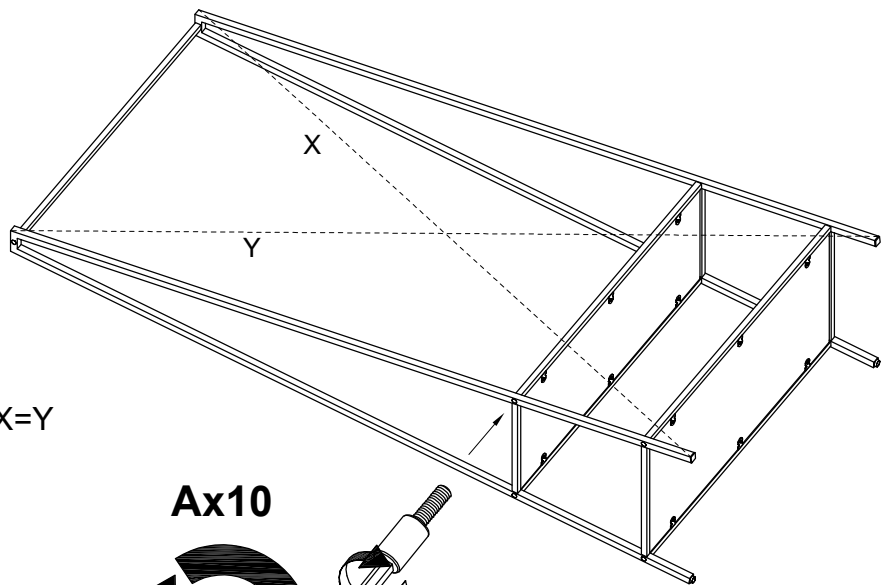
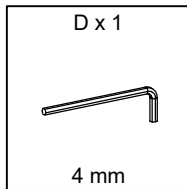
A x 10  M6x16 mm	C x 2  Ø13/5/M6/15 mm	D x 1  4 mm
---	--	--



2

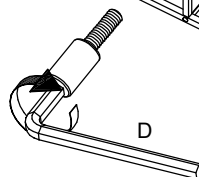
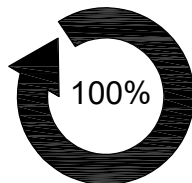


3

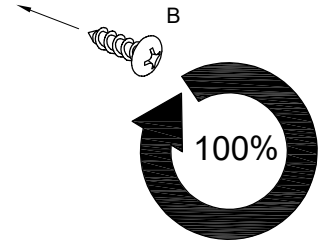
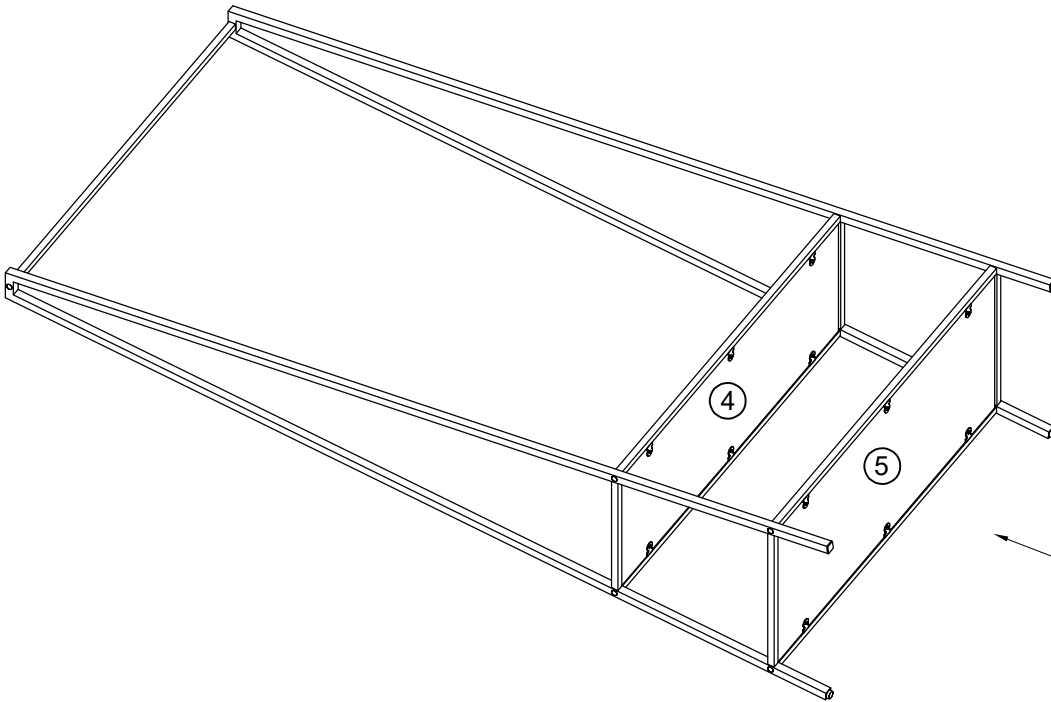
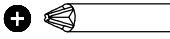


X=Y

Ax10



4



Bx12

5

